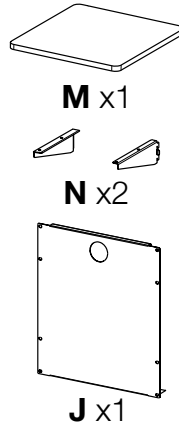
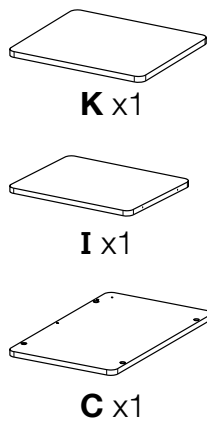
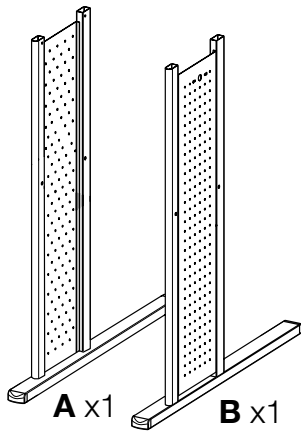
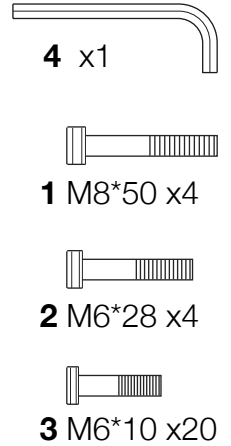
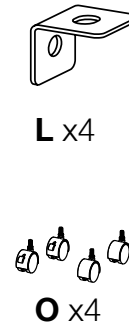


Parts List

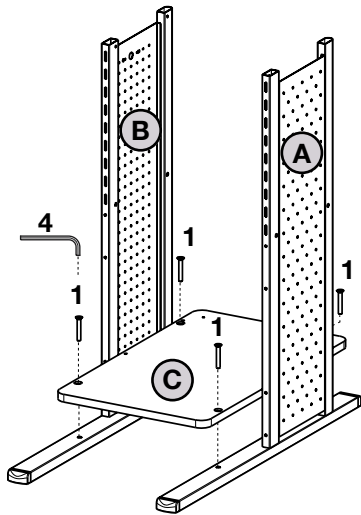


Tools Included

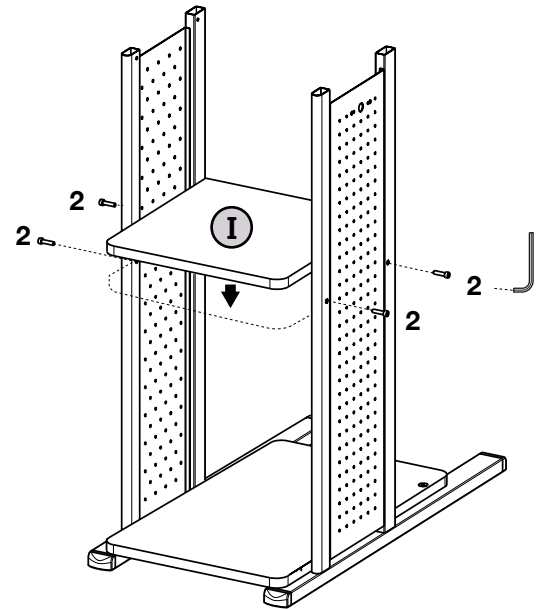
- Allen Wrench



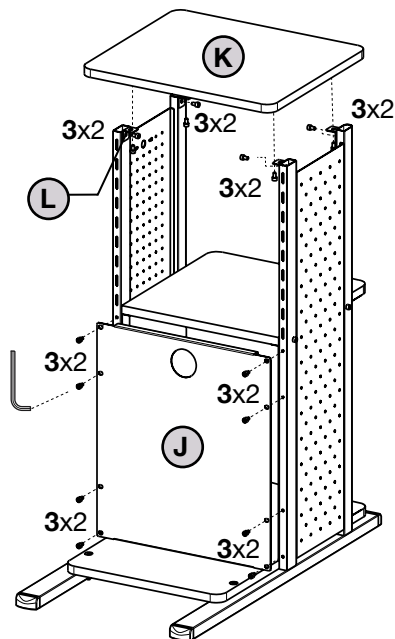
1



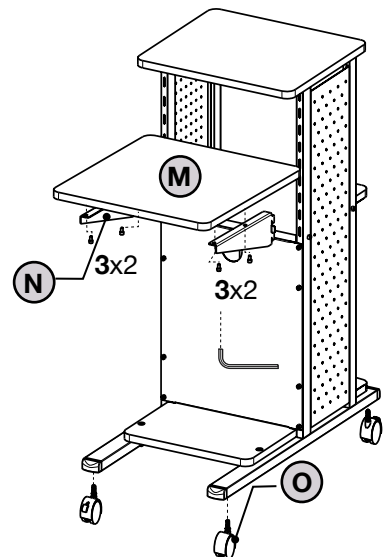
2



3



4



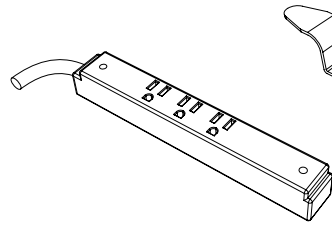
Parts List

Tools Required

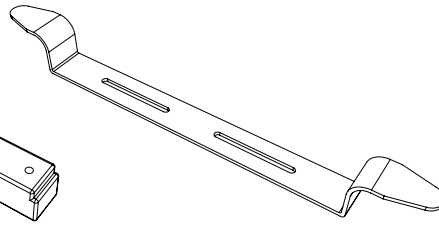
- Screwdriver

Electric Assembly Instructions

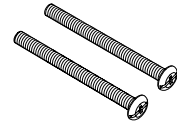
Number of outlets may vary.



A x1



B x1

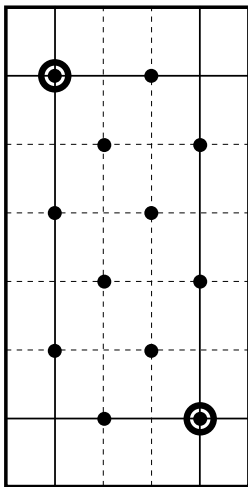


C x2

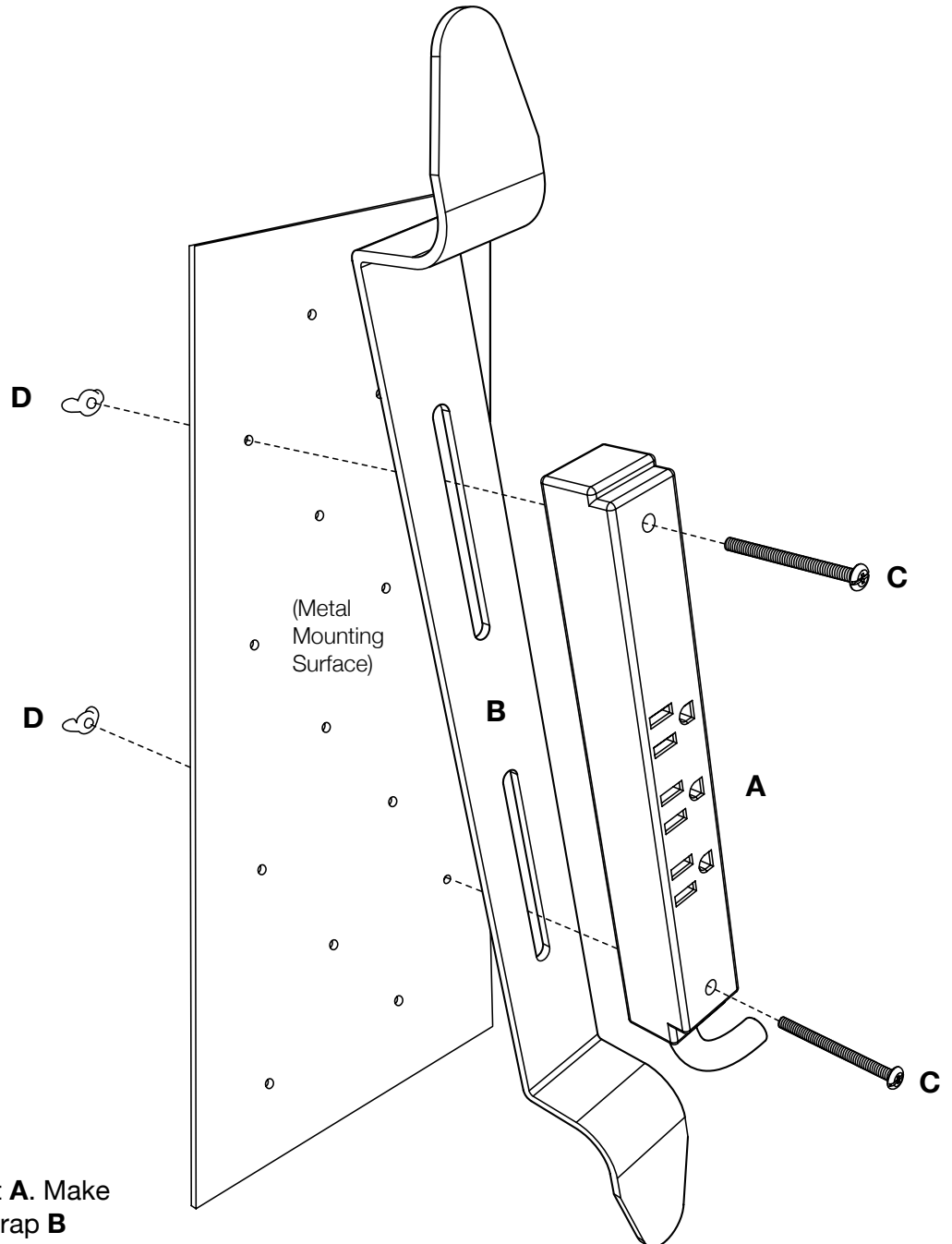
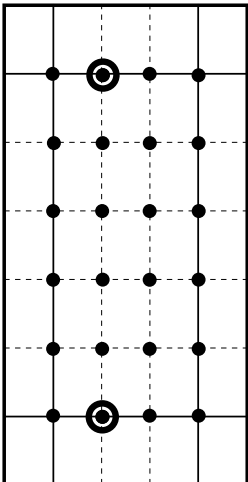


D x2

Slanted Hole Pattern



Straight Hole Pattern



1

Push screw **C** through electric outlet **A**. Make sure the electric outlet **A** and cord wrap **B** align with the mounting surface hole pattern. Push screw **C** through cord wrap **B** and the mounting surface screw holes. Use wing nut **D** and screwdriver to fasten.