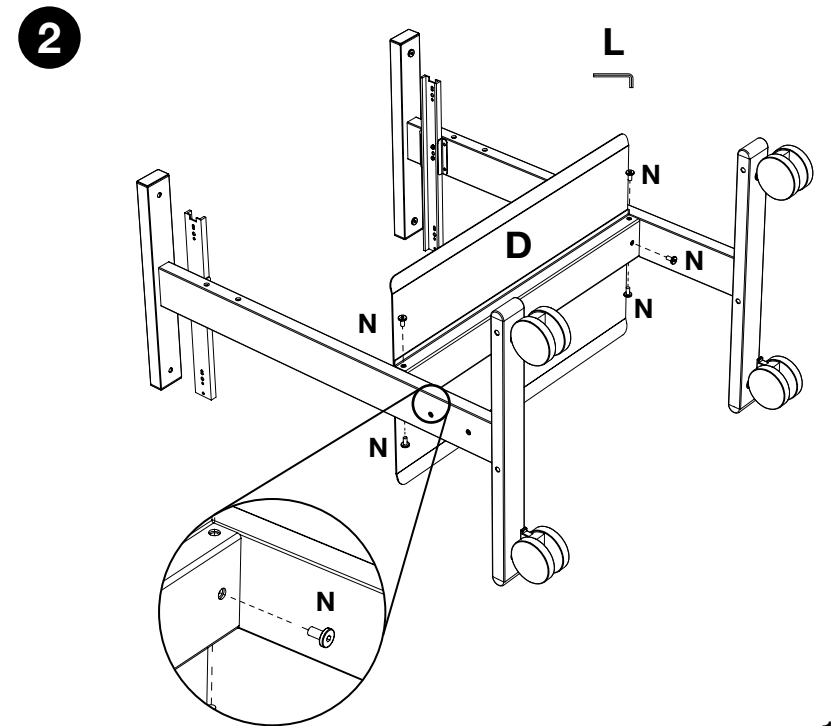
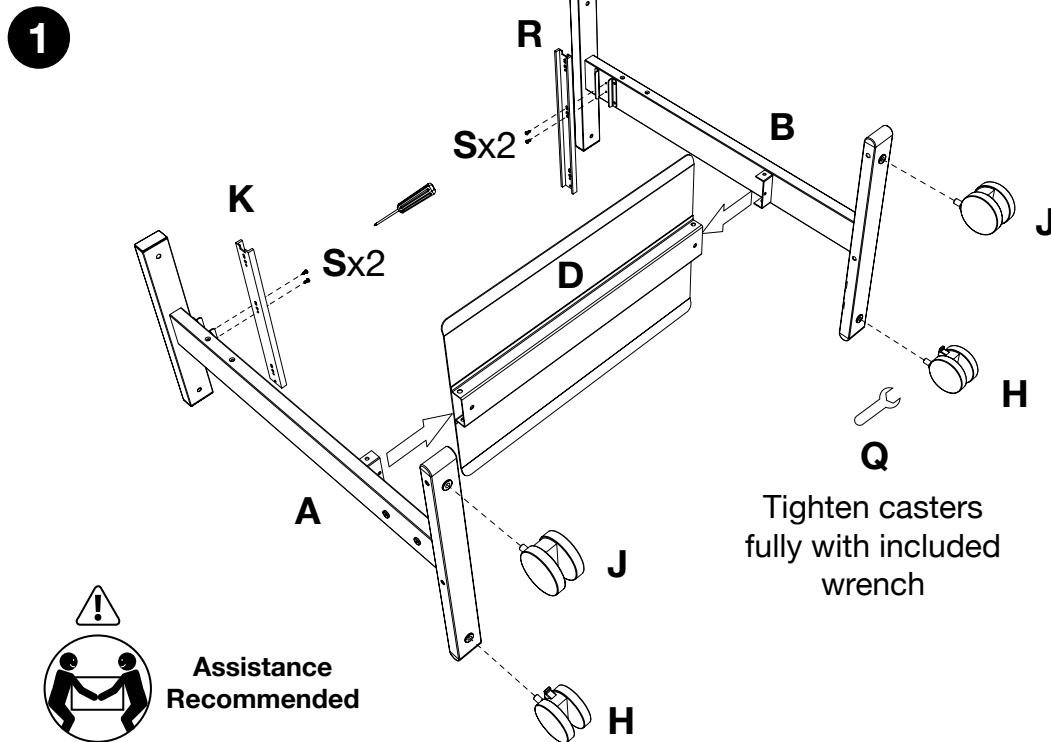
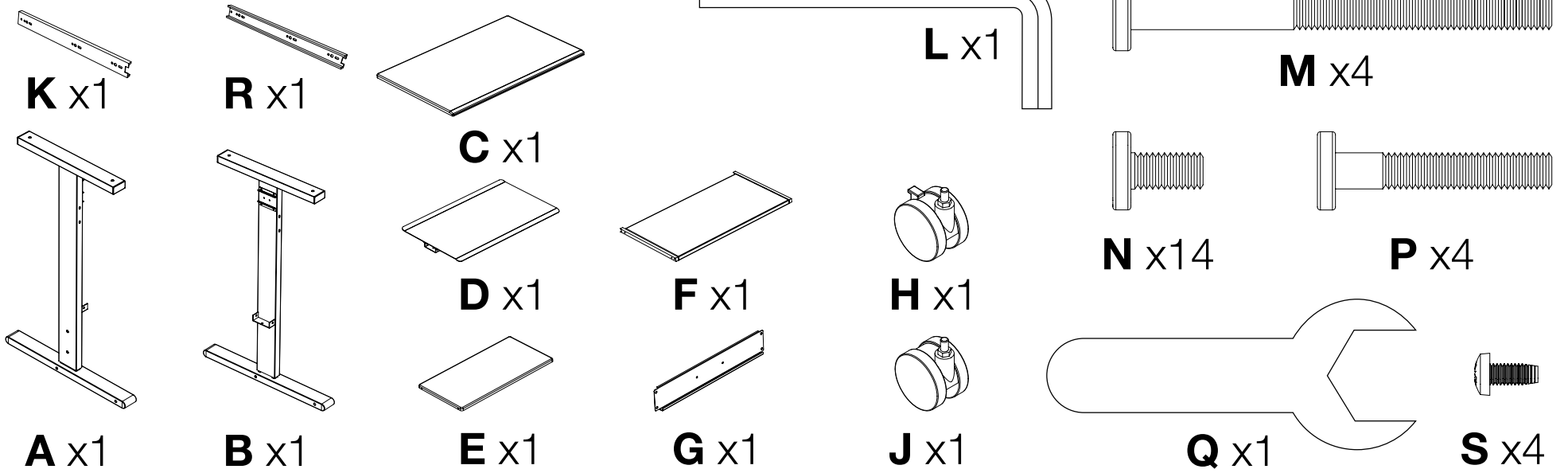


Adjustable Height Workstation Instructions

Parts List

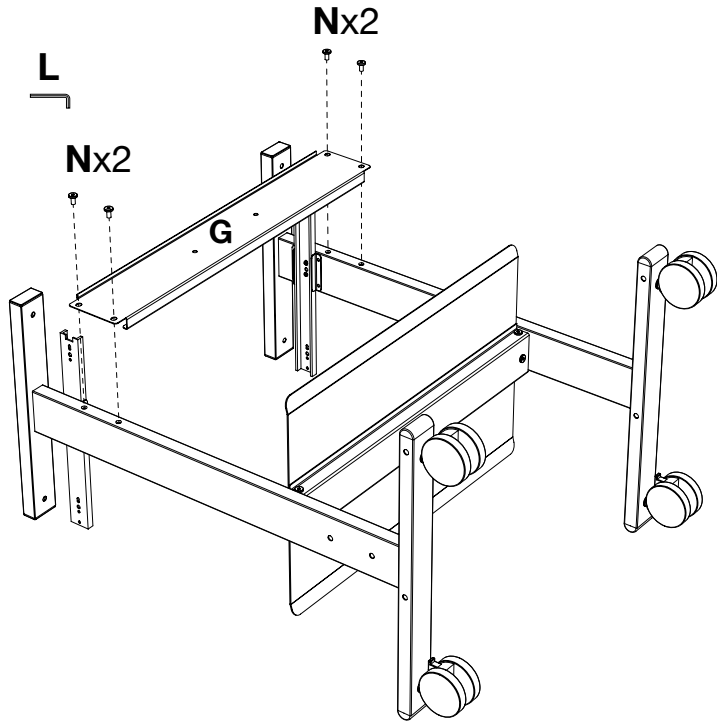
Tools Required: Phillips Screwdriver

01/06/15

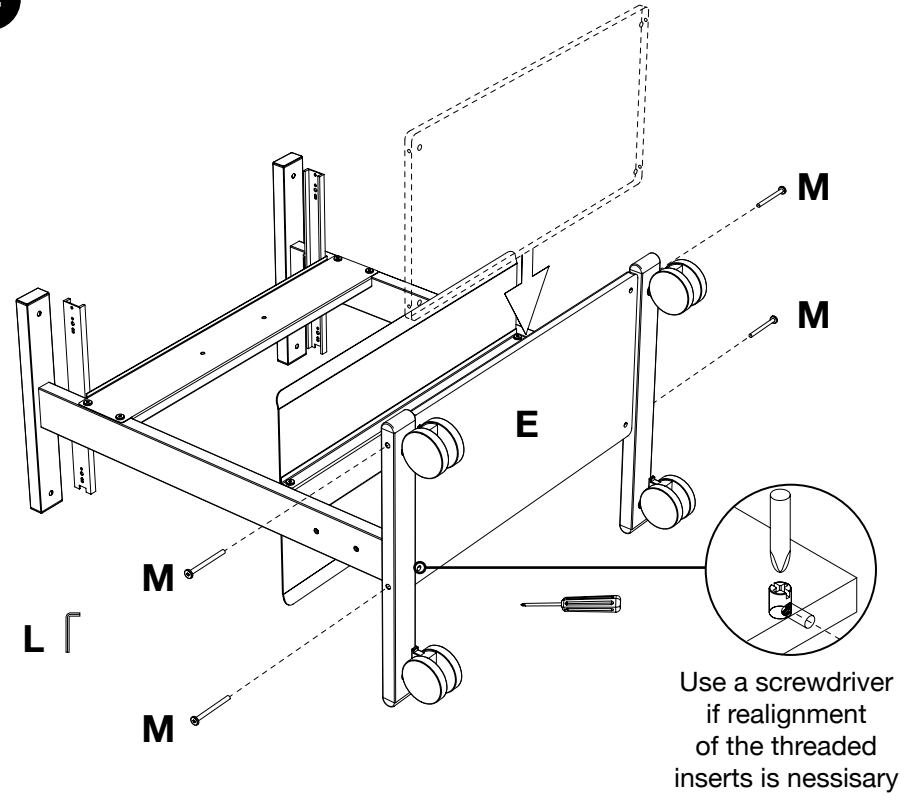


Assistance Recommended

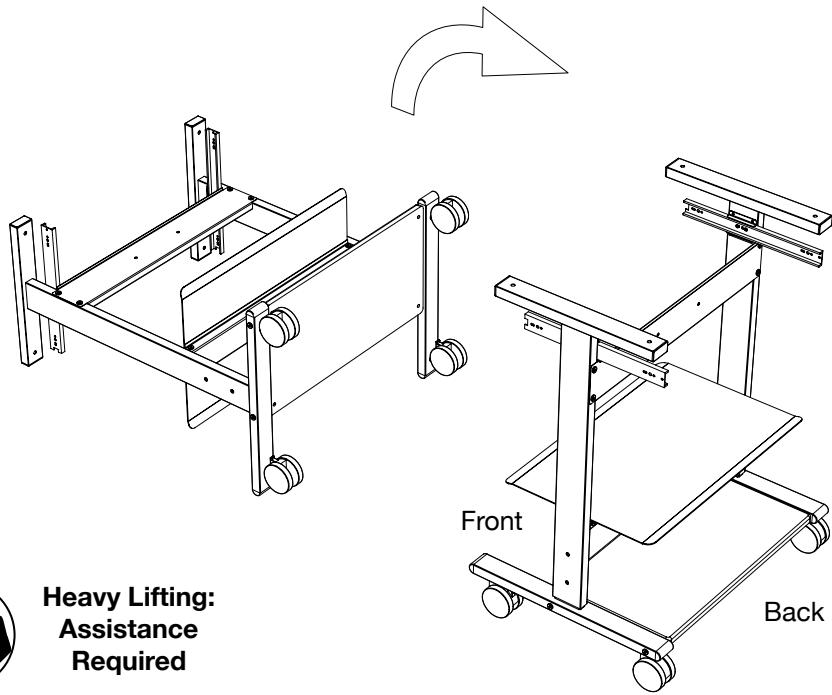
3



4

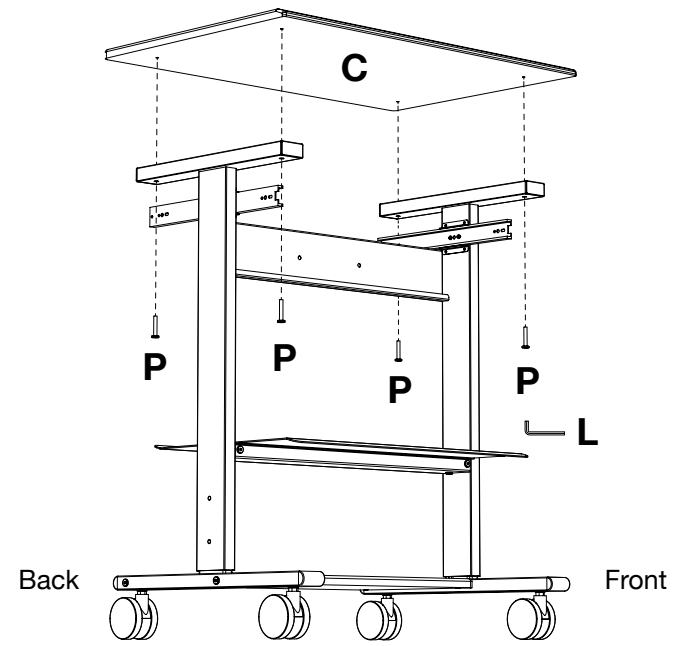


5

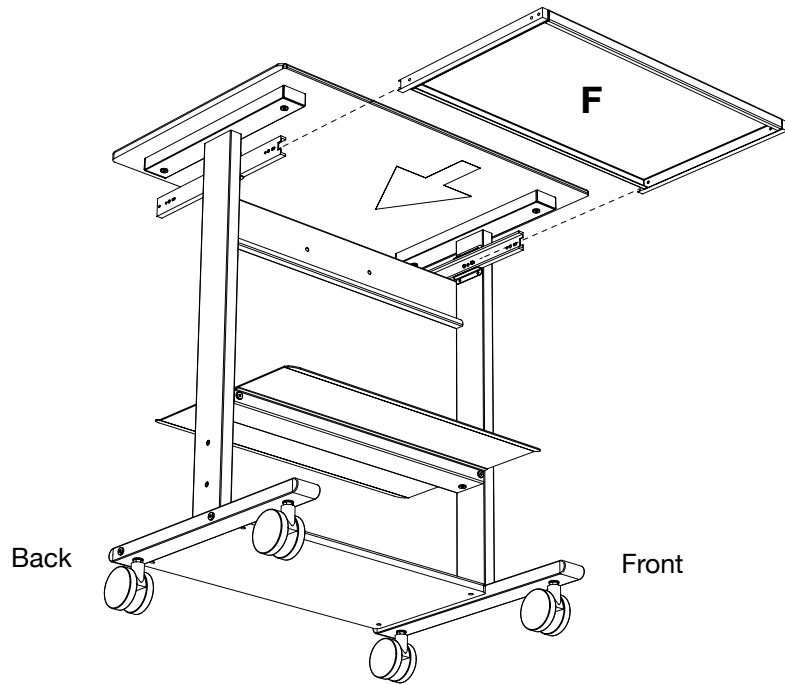


**Heavy Lifting:
Assistance
Required**

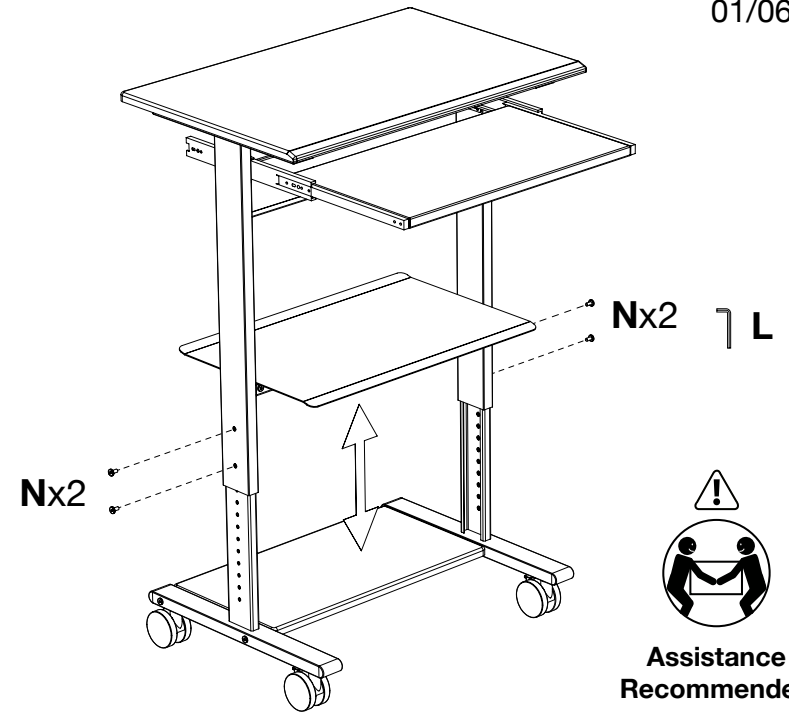
6



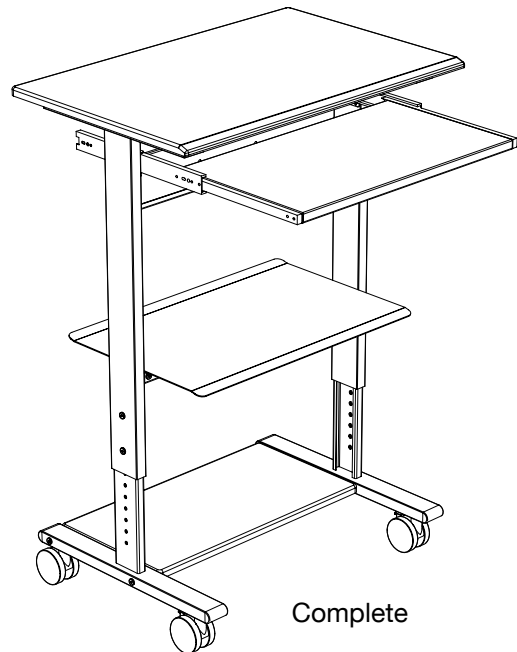
7



8



9



Keyboard Shelf Height	Top Shelf Height
41 ³ / ₄ "	45 ³ / ₈ "
40 ³ / ₄ "	44 ³ / ₈ "
39 ³ / ₄ "	43 ³ / ₈ "
38 ³ / ₄ "	42 ³ / ₈ "
37 ³ / ₄ "	41 ³ / ₈ "
36 ³ / ₄ "	40 ³ / ₈ "
35 ³ / ₄ "	39 ³ / ₈ "
34 ³ / ₄ "	38 ³ / ₈ "
33 ³ / ₄ "	37 ³ / ₈ "
32 ³ / ₄ "	36 ³ / ₈ "
31 ³ / ₄ "	35 ³ / ₈ "
30 ³ / ₄ "	34 ³ / ₈ "
Bolt Locations	
	13
	14
	15