

# HYDROTHERAPY



## -ADH Auxiliary Drain Hose Assembly

This 12" hose with chrome-plated brass fittings attaches to the drain valve of a mobile whirlpool. The hose directs the flow of water when emptying to a floor drain outlet.

(Note: an additional length of hose is available upon request.)

**USAGE:** Mobile Whirlpools



## -AHC1 Adjustable High Chair With Casters

## -AHC2 Adjustable High Chair Without Casters

These chairs are designed for use with either mobile or stationary whirlpools to facilitate treatment of the lower extremities. The height of AHC1 can be adjusted from 33" to 46", the AHC2, from 29" to 43". Both chairs are constructed from heavy gauge tubular steel and feature a reinforcing brace, arm rests, padded seat and back rest. The attached step is covered with a non-slip rubber mat. Protective rubber bumpers and restraint belts are also provided. The AHC1 is provided with 3" swivel casters—two with brakes. The AHC2 replaces the casters with rubber tips.

**USAGE:** All whirlpools except for Lo-boys



## -ALC Adjustable Low Chair

Similar in construction to the high chairs, this low chair can be adjusted from 24" to 29" in height. Protective rubber bumpers, restraint belts and rubber tips for the feet are provided.

**USAGE:** Podiatry, Extremity & Lo-Boy whirlpools



## -ALS Adjustable Low Stool

This chair is adjustable from 18" to 28" in height and is designed for use alongside a whirlpool. It is constructed from heavy gauge, chrome-plated tubular steel. The stool features 2" swivel casters, a padded seat and back rest.

**USAGE:** Podiatry, Extremity & Lo-Boy whirlpools

# HYDROTHERAPY



## -ARS Arm Rest Support

This arm rest is used for supporting the arms or hands on either side of the whirlpool tank. It is fabricated entirely from Type 304 stainless steel and polished to a satin finish.

**USAGE:** All whirlpools

Manufactured from recycled materials. 

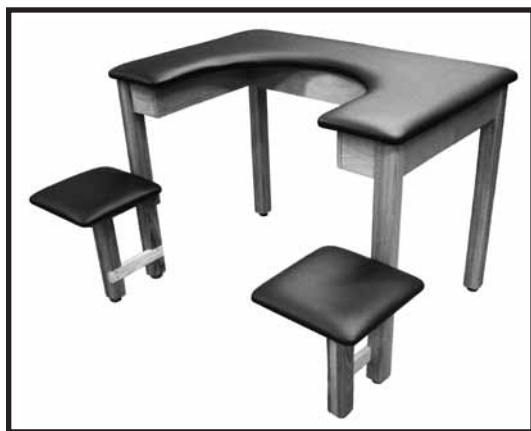


## -AS1, -AS2 and -AS3 Adjustable Suspension Seats

These seats are designed for use inside the tank for lower back, hip and leg treatment. Two side brackets with four levels of adjustments (three levels for the -AS3) are provided, along with an adjustable removable seat. The seats are fabricated entirely from Type 304 stainless steel.

**USAGE:** Hi-boy, Lo-boy & Sports whirlpools

Manufactured from recycled materials. 



## -CTS1, -CTS2 and -CTS3 Combination Table with Seats

These options provide comfortable, rim-height seats for lower extremity treatments and side bench seats for hand/arm treatments on either side of the tank. The bench seats also serve as steps. The top and lower seat have a vinyl upholstered padded seat. The frame is constructed from solid hardwood. The legs are solid oak with a urethane finish. Floor levelers are provided.

**USAGE:** Hi-boy, Lo-boy & Sports whirlpools



## -GFI Ground Fault Interrupter

This option provides a safety feature that immediately shuts off the circuit if excessive current amps are drawn.

**USAGE:** All turbines

# HYDROTHERAPY



## -HR Head Rest, Adjustable

This head rest is used to support the patient's head during treatment. It is made from stainless steel tubing with a cover.

**USAGE:** Lo-boy whirlpools

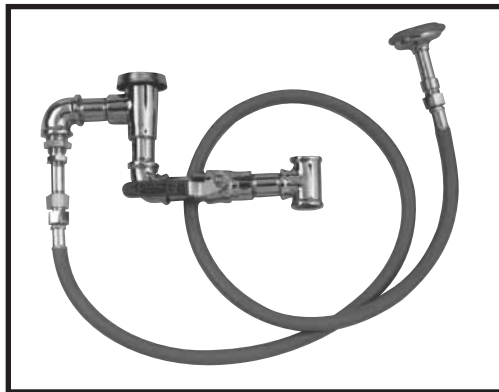


## -MXT1 (15 GPM), -MXT2 (25 GPM) Thermostatic Mixing Valve

These valves are designed to control the mixing of hot and cold water and deliver it at a constant, pre-set temperature. The valve is equipped with a union end, loose key, angle stop, check valves with built-in strainers and vacuum breaker. Control valve is set to deliver water at temperatures up to 115 degrees Fahrenheit. Failure of the cold water supply will cause the hot water supply to close, eliminating any possibility of scalding.

**USAGE:** All whirlpools

Manufactured from recycled materials.



## -MXWH Washout Hose Attachment

This option, when installed on the discharge side of the Thermostatic Mixing Valve (-MXT), aids in tank clean up. It consists of a tee fitting, shut off/volume control valve, vacuum breaker, a 9 foot hose with a spray nozzle and a wall-mounted hose retainer.

**USAGE:** All whirlpools



## -PCS Pump Cover Strainer

This stainless steel strainer is designed for use with all hydrotherapy whirlpools to screen out debris and avoid clogging the pump. It easily dismantles for cleaning.

**USAGE:** All whirlpools

Manufactured from recycled materials.



# HYDROTHERAPY



## -RHG Rubber Hand Grips

The rubber hand grips are designed to snap onto the rim of a whirlpool tank and are made from cylindrical rubber, 1-1/2" in diameter and 6" long.

**USAGE:** All whirlpools



## -RS Reclining Seat

This seat is used to provide comfort to the patient. The seat is fabricated from stainless steel and polished to a satin finish.

**USAGE:** Lo-boy whirlpools

Manufactured from recycled materials.



## -SDO Separate Drain and Overflow Assembly

The assembly is offered only on stationary whirlpools and is furnished in lieu of the standard combination drain and overflow system. This option features a quick open/close, lever-operated 2" drain valve and 2" overflow with perforated strainer for greater overflow handling capacity.

**USAGE:** Stationary whirlpools

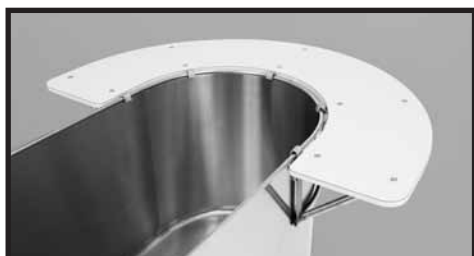
Manufactured from recycled materials.



## -SDP Separate Drain Pump

The pump is used on the underside of a mobile whirlpool tank to facilitate draining of the tank. The addition of this option will raise the height of some whirlpools by 2".

**USAGE:** Mobile whirlpools



## -TTS1, -TTS2 Tank Top Seat

The seat is 12" wide and extends around the front and sides of the whirlpool tank to permit easier treatment of lower extremities. The all stainless steel supporting structure with clamps secures the rim firmly onto the tank itself, leaving the area underneath free and unobstructed. The seat top is of heavy plywood construction with laminate covering.

**USAGE:** Lo-boy, Hi-boy & Sports whirlpools