

REHABILITATION & SPORTS MEDICINE PRODUCT CATALOG

ATHLETIC • CHIROPRACTIC • PHYSICAL THERAPY • HAND THERAPY • SPA



Whitehall Manufacturing
Manufacturer of Healthcare and Rehabilitation Products since 1946



Whitehall Manufacturing began making hydrotherapy whirlpools in 1946. Since then, through the acquisition of companies like Thermo-Electric and Ferno-Ille, we have expanded our line of rehabilitation products to include the broadest line of hydrotherapy whirlpools in the industry, as well as dry and moist heat therapy, cold therapy, paraffin therapy and splint pans.



Members of the **USCBC**



Check out our video,

which describes the different whirlpool offerings from Whitehall Manufacturing, including the stationary models (-s), mobile models (-m) and replacement turbines.





ATHLETIC



CHIROPRACTIC



PHYSICAL THERAPY



HAND THERAPY



PODIATRY



SPA

REHABILITATION & SPORTS MEDICINE PRODUCTS

- HYDROTHERAPY
- BURN TANKS
- DRY HEAT THERAPY
- MOIST HEAT THERAPY
- COLD THERAPY
- PARAFFIN THERAPY
- SPLINT THERAPY
- ADDITIONAL PRODUCTS



ATHLETIC



A

- WHIRLPOOLS
 - MOBILE AND STATIONARY
- CLEAT WARMER
- COLD THERAPY
- HEAT THERAPY
- ACCESSORIES

BENEFITS:

- Improves circulation of oxygen within the body which pumps additional nutrients to the cells and tissue
- Helps in regaining range of motion
- Desensitizes pain & softens tissue
- Prevents muscle spasms
- Speed up recovery time



Whirlpools, see page 14



Cleat Pro, see page 42



Thermalators, see page 37



Customized team colors & logos, see page 14





CHIROPRACTIC



C



- HOT PACKS
- MOIST HEAT THERAPY
- BOTTLE WARMERS

BENEFITS:

- Helps in regaining range of motion which increases flexibility
- Faster recovery to the injury



Thermal-Packs, see page 40



Bottle Warmers, see page 50



Thermalators, see page 37



HAND THERAPY

H

HAND THERAPY PRODUCTS:

- WHIRLPOOLS - SMALL
- MOIST HEAT THERAPY
- SPLINT PANS
- THERMO THERAPY



BENEFITS:

- Helps reduce inflammation and congestion in the tissues
- Helps in regaining range of motion
- Helps regain sensitivity after surgery or injury
- Excellent for treatment of arthritis, muscle spasms, muscle sprains and strains



Thermo Therapy, see page 34



Splint Pan, see page 48



Thermalators, see page 37



Small Whirlpools, see page 18



PODIATRY



P

PODIATRY PRODUCTS:

- WHIRLPOOLS - SMALL

BENEFITS:

- Promotes better blood circulation
- Helps in regaining range of motion
- Softens feet prior to treatment



HydroChlor, see page 16



Podiatry Whirlpools, see page 19





PHYSICAL THERAPY

P PHYSICAL THERAPY PRODUCTS:

- WHIRLPOOLS - EXTREMITY
- MOIST HEAT THERAPY

BENEFITS:

- Helps in giving better range of motion, which helps increase flexibility
- Better circulation of oxygen to the body
- Faster recovery from injury and helps the body to be more resilient to further injury
- Helps minimize aches and pains from arthritis



Small Whirlpools, see page 18



ParaTherapy, see page 43



Thermalators, see page 37





SPA

S

SPA PRODUCTS:

- PARAFFIN BATHS
- MOIST HEAT THERAPY
- BOTTLE WARMERS

BENEFITS:

- For optimum muscle heating benefits through increased blood flow
- Hot packs transfer heat more quickly and effectively to the skin and underlying tissue
- Special designed products enhance luxury appeal



ParaTherapy, see page 43



Bottle Warmer, see page 50



Thermalators, see page 37



NEW PRODUCT

CLEAT WARMERS

A

The **cleatPRO** unit contains an exposed heating element that heats water in an enclosed tank.

The enclosed tank “steams” cleats while they hang on the interior **cleatPRO** rack inside the enclosed tank.

Steaming time ranges between 2 – 30 minutes based on athlete’s preference. **cleatPRO** can be used to steam and contour the fit of new unworn cleats, as well as for daily steaming of pre-worn cleats.

The combination of warmth, steam and humidity alters the flexibility of the cleats. This allows for a better contour fit and improved comfort.



T-12-M-CC, see page 42



Water Level & Temperature: The water level must be filled enough to cover the heating element, at a minimum to the level of the base of the **cleatPRO** interior hanging rack. The exact volume can vary depending on the size of the cleats in the unit. The higher the level of water above the base of the rack limits the size of cleat able to hang on the rack without touching the heated water. The temperature of **cleatPRO** units can vary based on level of heat and steaming desired. The adjustable thermostat located on the back of the unit allows the user to alter the heating temperature between room temperature and 175°F (79°C). Units are pre-set to 165°F (74°C) which is the recommended temperature.



NEW PRODUCT

THERMALATOR WITH LOCK & THERMOMETER

A P S



Patient care & safety first.

This new Thermalator unit is designed to help keep patients injury-free. The lock keeps the lid from being opened accidentally. The thermometer reader displays the acute temperature at all times, saving time on daily recording.



Saves time on daily recording

Helps protect from patient burning

T-12-M-LT, see page 39



NEW PRODUCT

WHITEHALL PATIENT HANDLING SYSTEM

A

Designed for maximum flexibility

The PHS system is a mobile bath lift system designed to easily convert into different configurations to accommodate a wide variety of needs for patients and residents in both the acute and long term care environments. Whether standing, seated or recumbent, the PHS system provides a dignified complete solution for residents needing aid getting in and out of bathtubs. **Easy access and comfortable** padded seating surfaces ensure a pleasant bathing experience.

- Seating and stretcher surfaces made of a soft and durable material that is water resistant, comfortable and easy to clean
- Removable side parts provide a simple configuration from chair to stretcher
- The safety arm support in both the chair and stretcher configurations can be folded away for easy access and moved back once the bather is in position
- The leg configuration is designed for easy individual approach onto the chair and stretcher
- A low chassis is designed for easy access under beds and baths



PHS-20 Bath Chair Lift, see page 21



PHS-10 Bath Stretcher Lift

- Ready for use after unpacking and comes complete with battery charger and safety belts
- The magnetic battery charger connection is designed to prevent damage in case the connection becomes unplugged. This allows charging to be less invasive task.
- Audible low battery tone
- PHS system can be used together with almost all supine bath tubs and therapy. An optional spacer can be optioned for changing or improving the location of the bath lift into the tub
- Additional features: Foot activated emergency stop. High capacity rechargeable batteries. Large castors with locking and straight steering



WHITEHALL REHABILITATION & SPORTS MEDICINE PRODUCTS:

HYDROTHERAPY

Whirlpools	14
HydroChlor	16
Little Champ	18
Patient Handling System	21
Whirlpool Options.	27

BURN TANKS

Large Burn Tanks	30
Burn Tank Options & Accessories	32

DRY HEAT THERAPY

Thermo Therapy.....	34
Thermo Therapy Accessories	35

MOIST HEAT THERAPY

Thermalators	37
Little Therm	38
ThermalPack, Therapy Packs	40
Thermalator Accessories.	41
Cleat Warmer.....	42

PARAFFIN THERAPY

ParaTherapy.....	43
Dickson	44
Paraffin Accessories	45

COLD THERAPY

Glacier Freeze	46
Little Freeze	47
Glacier Packs.....	47

SPLINT THERAPY

Little Splint	48
Forma Splint	48

ADDITIONAL PRODUCTS

Bottle Warmer	50
Utility Carts	50
Water Coolers & Bottle Fillers.....	51



Whitehall Mobile Whirlpools

M-models

WHITEHALL WHIRLPOOL BENEFITS:

Whitehall whirlpools promote improved blood circulation through blood vessel dilation, allowing more oxygen and nutrients access to major organs.

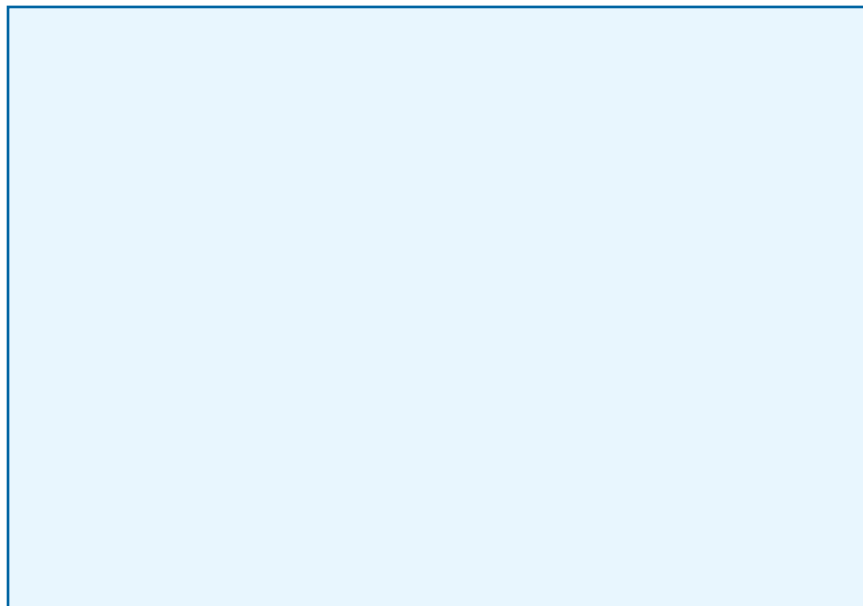
The high-pressure massage provided by the turbine relaxes joints. The turbine may be directed to pain via the attached hose.

Whirlpools help heal sports injuries, prevent muscle spasms and speed recovery time.

- Helps regain range of motion
- Softens injury prior to treatment
- Helps heal sports injuries
- Helps prevent muscle spasms
- Speeds recovery time



- Time-saving—no special plumbing connection
- Reversing turbines (standard) are used to pump used water out of the tank and into an available sink or drain
- Can be easily moved, facilitating space-saving convenience
- Easily transported on heavy-duty casters
- Auxiliary drain valve is standard on -M model Whitehall whirlpools



Whitehall Stationary Whirlpools

S-models



- Saves time when draining water
- Faster to fill water*
- Thermostatic mixing valve provides accurate incoming water temperature*
- Intended for a fixed location
- Offers direct connections to drain and water supply
- Comes standard with high capacity gravity drain
- Filler spout comes standard

*mixing valve sold separately

Cold Tanks



- Recommended for treatment of acute musculoskeletal injuries in extremities and full body immersion
- Fabricated from heavy gage type-304 stainless steel
- Available in a wide variety of tank size capacities
- Ideal for athletes and rehabilitation applications
- Available in optional powder coated colors and logos
- Stimulates tissue repair
- Helps body heal more quickly by preventing tissue damages
- Encourages healthy circulation



(-EG) Enviro-Glaze is available on all whirlpools except slant back & burn tanks.

Other colors are available. Please contact Whitehall for more information.

Logo Graphics (-LOGO)

This option allows the application of logos, graphics or a specific facility, team or school name on a whirlpool unit.



Whitehall Turbines*

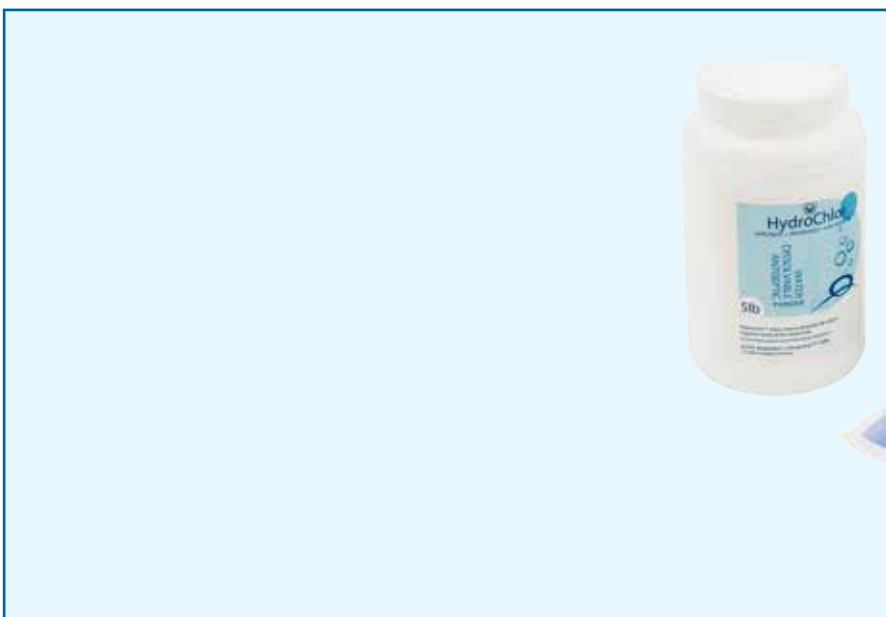
Standard Whirlpool turbines come in stationary and mobile models. Both stationary and mobile turbines provide soothing water agitation to affected areas of the body. Mobile turbines come assembled with reverse-pump and hose assembly features, providing for quick water evacuation.

- Powerful and quiet 1/2-horsepower pump jet motor
- Easy vertical adjustment of height and direction of agitation
- Water can be focused precisely on the area of the body needing treatment
- Durable ABS plastic shell
- Lifetime-sealed bearings, ensuring product longevity



Tank depth	12"	15"	18"	21"	22"	25"	28"
stationary assembly	TA-12-S	TA-15-S	TA-18-S	TA-21-S	TA-22-S	TA-25-S	TA-28-S
mobile assembly	TA-12-M	TA-15-M	TA-18-M	TA-21-M		TA-25-M	TA-28-M

*If your replacement turbine is intended for use with a separate drain pump mobile whirlpool (-SDP), please specify this when ordering



SDP Option

These models are constructed with a separate under-the-tank-bottom electric drain pump. This pump is activated by a switch, effectively draining all of the water from the tank. The pump is used on the underside of a mobile whirlpool tank to facilitate draining of the tank. The addition of this option will raise the height of some whirlpools by 2".
 USAGE: Mobile whirlpools



Check out our video,

which describes the different whirlpool offerings from Whitehall Manufacturing, including the stationary models (-s), mobile models (-m) and replacement turbines.

See page 27 for more whirlpool options

- Includes pre-measured, water-soluble packets that save time with less mess.
- Eliminates the need for defoamer, saving time and money.
- Eliminates corrosion on stainless steel or chrome equipment.
- Prevents staining to keep equipment, walls, curtains and clothing clean.

How much HydroChlor to use per gallon of water:

3-20 gal	15 gm
21-40 gal	30 gm
41-70 gal	50 gm
71-110 gal	80 gm
111-264 gal	200 gm
265-425 gal	320 gm



Little Champ



Small, yet sturdy. The Little Champ Whirlpool is the most compact and resourceful model on the market, designed specifically for arm and foot application. The Little Champ is constructed just like the big boys, welded and polished with a seamless covered bottom and drain for tough and resilient construction and simple sanitation. It may be used on a table top, floor or stand and has a variable speed turbine to provide a strong, curative current.



AW-606 with UCH, See page 50 for 2-shelf cart

Models

compact - gravity drain	AW-606
compact - with separate drain pump	AW-607
capacity - gal (L)	4.5 (17)
length - in (mm)	23-1/4 (559)
width - in (mm)	13-3/4 (349)
depth - in (mm)	8-1/2 (25)

usage - covers shaded body parts



Accessories

replacement turbine	AW-606T
replacement turbine for -SDP	AW-607T

- Manufactured from recycled materials.
- Approved to UL standards.

Little Champ model AW-607

Model AW-607 features a separate drain pump that lends even more convenience and portability to the Little Champ. The pump is located on the underside of the mobile whirlpool tank and, as opposed to simply draining, uses a reinforced braided hose to direct evacuated water to any height of receptacle. (The addition of this option will raise the overall height of the whirlpool by 3 inches.)



P Series - Podiatry Whirlpools



Whitehall P-Series Podiatry Whirlpools are a specialized line, perfect for use in any application where the foot, ankle and/or lower calf require soothing rehabilitation and cleansing. Models are available in both mobile and stationary styles and come in water-saving 10, 15, or 22 gallon capacities made from seamless stainless steel. Each model comes equipped with a powerful yet quiet 1/2-horsepower turbine motor, dual thermometer and locking adjustable vertical assembly.

Models

mobile - standard	P-10-M	P-15-M	P-22-M
mobile - with handle	P-10-MH	P-15-MH	---
mobile - with undercarriage	P-10-MU	P-15-MU	---
stationary - plumbed in	P-10-S	P-15-S	P-22-S
capacity - gallons (L)	10 (37.9)	15 (56.8)	22 (83.3)
A - length - inches (mm)	22 (559)	25 (635)	28 (711)
B - width - inches (mm)	13 (330)	13 (330)	15 (381)
C - depth - inches (mm)	12 (330)	15(381)	18 (457)

usage - covers shaded body parts



HYDROTHERAPY

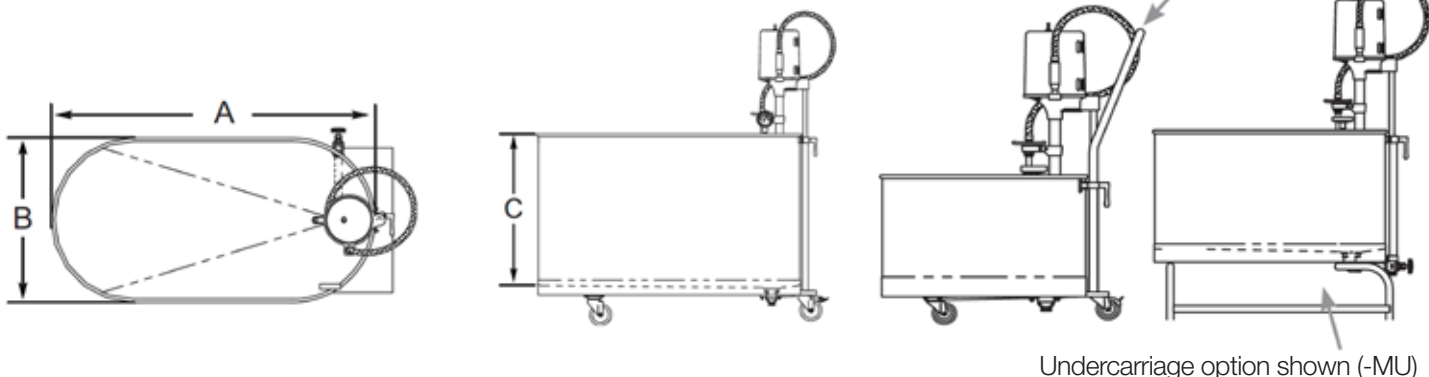
Model P-10-M
Mobile whirlpool (10 gal)

Note: Comes complete with 1/2 horsepower turbine, raising & lowering assembly and dual scale (Fahrenheit & Celsius) thermometer. Dimensions diagram shown for a mobile whirlpool. Dimensions are identical for all other models.

- Manufactured from recycled materials.
- Certified per current US & Canada Medical Standards
- Certified per current European Standards

Options	
Mobile Options:	Stationary Options:
-ADH	-ALC
-AHC	-ALS
-ALC	-EG
-ALS	-GFI
-ARS	-LOGO
-EG	-MXT
	-MXWH
	-PCS
	-SDO

For a description of options, please see pages 27-29.



HYL Series - Hydrolift Whirlpools

Whitehall's Hydrolift system is perfect for any application requiring the treatment of both upper and lower extremity injuries. The fully adjustable Hydrolift can easily raise or lower a single whirlpool up to 36 inches. Though normally remaining stationary during operation, the Hydrolift may utilize whirlpool casters for quick and easy mobility.

accommodates	P-10-M	E-15-M & P-15-M	E-22-M & P-22-M
with whirlpool	HYL-10-M	HYL-15-M	HYL-22-M
hydrolift only	HL-10-M	HL-15-M	HL-22-M
capacity	10 gal	15 gal	22 gal



HL-10-M Hydrolift for a 10 gallon whirlpool



HYL-10-M Hydrolift with a 10 gallon whirlpool in highest position



HYL-10-M Hydrolift with a 10 gallon whirlpool in lowest position

Check out our video!

Review of the Whitehall Manufacturing HYL Series Whirlpools, including how to lift the whirlpool for upper extremities. The HYL Series is Certified per current US & Canada Medical Standards and Certified per current European Standards



Whitehall Patient Handling System

Design for maximum flexibility

The PHS system is a mobile bath lift system designed to easily convert into different configurations to accommodate a wide variety of needs for patients and residents in both the acute and long term care environments. Whether standing, seated or recumbent, the PHS system provides a dignified complete solution for residents needing aid getting in and out of bathtubs. *Easy access and comfortable* padded seating surfaces ensure a pleasant bathing experience.

PHS-10	Bath Stretcher Lift
PHS-20	Bath Chair Lift
PHS-30	Comby - Chair & Stretcher Lift



PHS-20 Bath Chair Lift



PHS-10 Bath Stretcher Lift



PHS-30 Comby - Chair & Stretcher Lift



E Series - Extremity Whirlpools

C H P

Versatile, cost effective, eco-friendly. Whitehall Extremity Whirlpools feature a compact design and low-gallon capacity to reduce water usage while maintaining maximum comfort. Each unit provides effective treatment of upper & lower extremities, is available in both stationary and mobile styles, and comes in water saving 15, 22, 27 and 45-gallon capacities. A raised undercarriage option (-MU) is available with the 15 and 22-gallon models.



Model E-15-MH
Mobile whirlpool with handle (15 gal)

mobile - standard	E-15-M	E-22-M	E-27-M	E-45-M
mobile - with handle	E-15-MH	---	---	---
mobile - with undercarriage	E-15-MU	E-22-MU	---	---
stationary - plumbed in	E-15-S	E-22-S	E-27-S	E-45-S
capacity - gal (L)	15 (56.8)	22 (83.3)	27 (102.2)	45 (170.3)
A - length - in (mm)	25 (635)	28 (711)	28 (711)	32 (813)
B - width - in (mm)	13 (330)	15 (381)	15 (381)	15 (381)
C - depth - in (mm)	15 (381)	18 (457)	21 (533)	25 (635)

usage - covers shaded body parts

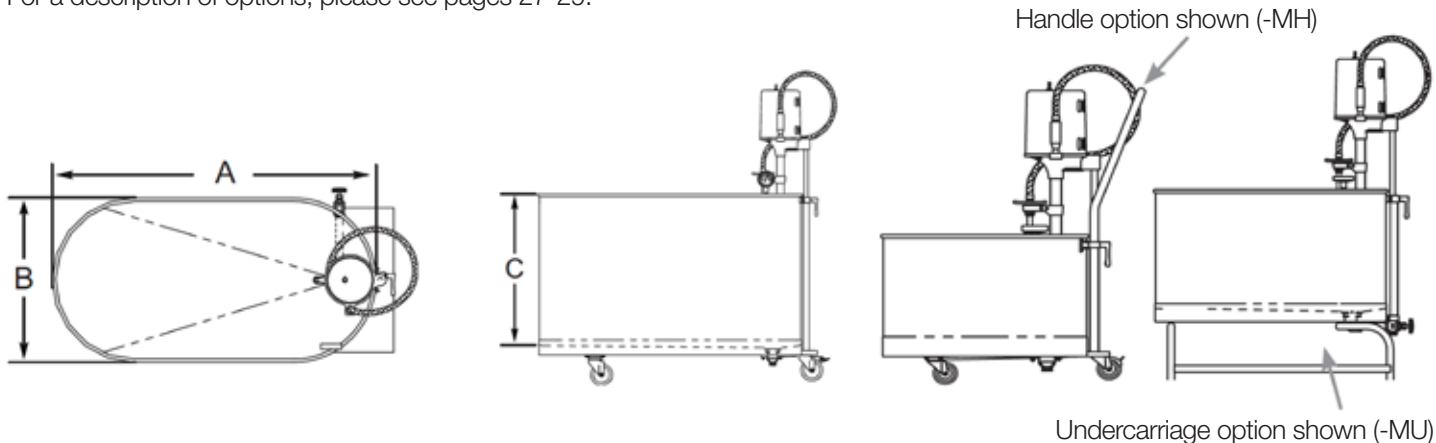


Options			
Mobile Options:		Stationary Options:	
-ADH	-GFI	-ALC	-MXT
-AHC	-LOGO	-ALS	-MXWH
-ALC	-PCS	-EG	-PCS
-ALS	-RHG	-GFI	-SDO
-ARS	-SDP	-LOGO	
-EG			

Note: Comes complete with 1/2 horsepower turbine, raising & lowering assembly, and dual scale (Fahrenheit & Celsius) thermometer. Dimensions diagram shown for a mobile whirlpool. Dimensions are identical for all other models.

- Manufactured from recycled materials.
- Certified per current US & Canada Medical Standards
- Certified per current European Standards

For a description of options, please see pages 27-29.



S Series - Sports Whirlpools



Based on the needs expressed to us by athletic trainers across the nation, Whitehall responded with a full line of whirlpools specifically designed for the treatment and prevention of sports-related injuries. These units offer recuperative and healing therapy to the extremities, hips, back and shoulder areas, plus they are long enough to accommodate larger athletes. The Sports Series is available in 85, 90 and 110-gallon capacities and one style with stainless steel legs for floor clearance and easier training room cleaning.

Models

mobile - standard	S-85-M	S-90-M	S-110-M
mobile - with legs	S-85-SL	S-90-SL	S-110-SL
stationary - plumbed in	S-85-S	S-90-S	S-110-S
capacity - gal (L)	85 (321.8)	90 (340.7)	110 (416.4)
A - length - in (mm)	48 (1219)	46 (1168)	56 (1422)
B - width - in (mm)	20 (508)	24 (610)	24 (610)
C - depth - in (mm)	25 (635) 2	5 (635)	25 (635)

usage - covers shaded body parts



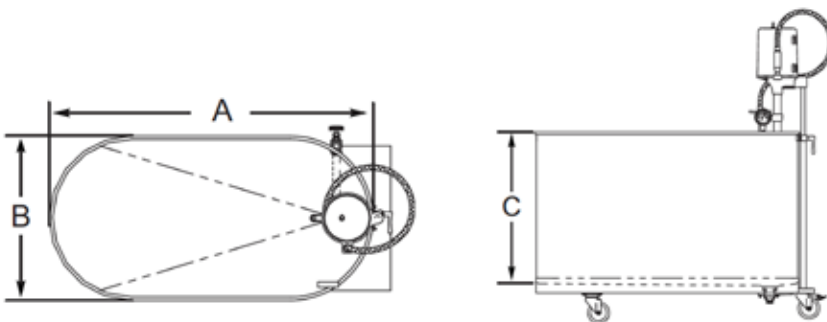
Model S-90-SL
Mobile whirlpool with legs (90 gal)

Options			
Mobile Options:		Stationary Options	
ADH	-EG	-AHC	-GFI
AHC	-GFI	-ALC	-LOGO
ARS	-LOGO	-ALS	-MXT
-AS	-PCS	-AS	-RGH
-CTS	-SDP	-CTS	-SDO
-RHG	-TTS	-EG	-TTS
		-PCS	

Logos and Enviro-Glaze® powder coating available. Dimensions diagram shown for a mobile whirlpool. Dimensions are identical for all other models. Note: Comes complete with 1/2 horsepower turbine, raising & lowering assembly, and dual scale (Fahrenheit & Celsius) thermometer.

- Manufactured from recycled materials.
- Certified per current US & Canada Medical Standards
- Certified per current European Standards

For a description of options, please see pages 27-29.



H Series - High-Boy Whirlpools



Hi-Boy Whirlpools offer complete rehabilitative coverage of the back, hip and shoulder areas. Full body immersion treatment is complemented by comfortable options such as Whitehall's Adjustable Suspension Seat or Tank Top Seat so that lower extremities may be treated in isolation. These whirlpools are available in 60, 75, 90 and 105-gallon capacities and in both mobile and stationary styles.



Model H-60-M
Mobile whirlpool (60 gal)

Models

mobile - standard	H-60-M	H-75-M	H-90-M	H-105-M
stationary	H-60-S	H-75-S	H-90-S	H-105-S
capacity - gal (L)	60 (227.1)	75 (283.9)	90 (340.7)	105 (397.5)
A - length - in (mm)	36 (914)	42 (1067)	48 (1219)	48 (1219)
B - width - in (mm)	20 (508)	20 (508)	20 (508)	24 (610)
C - depth - in (mm)	28 (711)	28 (711)	28 (711)	28 (711)
usage - covers shaded body part				

Options			
Mobile Options:		Stationary Options:	
-ADH	-GFI	-AHC	-GFI
-AHC	-LOGO	-ALC	-LOGO
-ARS	-PCS	-ARS	-MXT
-AS	-RHG	-AS	-MXWH
-CTS	-SDP	-CTS	-PCS
-EG	-TTS	-EG	-RGH
		-SDO	-TTS

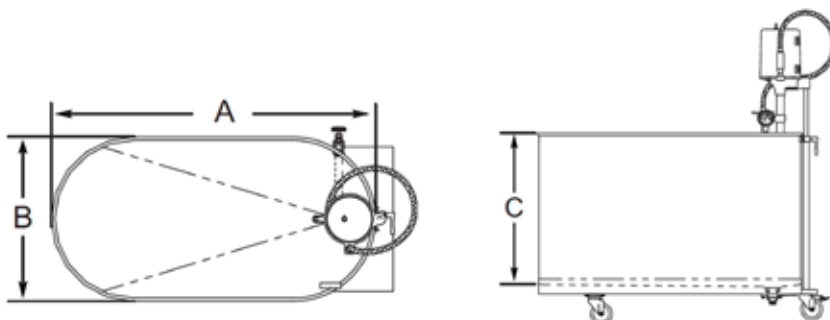
Stationary models have a combination drain & overflow.

Dimensions diagram shown for a mobile whirlpool. Dimensions are identical for all other models.

Note: Comes complete with 1/2 horsepower turbine, raising & lowering assembly, and dual scale (Fahrenheit & Celsius) thermometer.

- Manufactured from recycled materials.
- Certified per current US & Canada Medical Standards
- Certified per current European Standards

For a description of options, please see pages 27-29.



L Series - Lo-Boy Whirlpools



Lo-Boy Whirlpools combine full body immersion with easy access and offer complete rehabilitative coverage of the back, hips, shoulder and arms. These long and shallow units are designed at a low height for ease of access and are complemented by comfortable options such as Whitehall's Adjustable Head Rest. The Lo- Boy Series is available in 75, 90 and 105-gallon capacities in both mobile and stationary styles.



Model L-75-M
Mobile whirlpool (75 gal)

Models

mobile - standard	L-75-M	L-90-M	L-105-M
stationary	L-75-S	L-90-S	L-105-S
stationary - with legs	---	---	L-105-SL
capacity - gal (L)	75 (283.9)	90 (340.7)	105 (397.5)
A - length - in (mm)	52 (1321)	60 (1524)	66 (1676)
B - width - in (mm)	24 (610)	24 (508)	24 (610)
C - depth - in(mm)	18 (457)	18 (457)	18 (457)

usage - covers shaded body parts			
----------------------------------	--	--	--

Options

Mobile Options:

- ADH
- ALC
- ALS
- ARS
- AS
- CTS
- EG
- GFI
- HR
- LOGO
- PCS
- RHG
- RS
- SDP

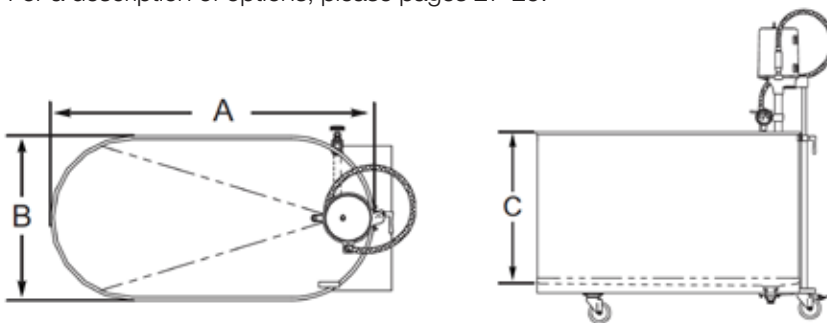
Stationary Options:

- AHC
- ALC
- ALS
- ARS
- AS
- CTS
- EG
- GFI
- HR
- LOGO-
- MXT
- MXWH
- PCS
- RGH
- RS
- SDO

Note: Comes complete with 1/2 horsepower turbine, raising & lowering assembly, and dual scale (Fahrenheit & Celsius) thermometer. Dimensions diagram shown for a mobile whirlpool. Dimensions are identical for all other models.

- Manufactured from recycled materials.
- Certified per current US & Canada Medical Standards
- Certified per current European Standards

For a description of options, please pages 27-29.



SB Series - Slant Back Whirlpools

A T

The Slant Back Whirlpool is recommended for the treatment of extremities, hip and back area. Its design allows the user to comfortably recline and relieve pressure on the hips while soaking in the tank. This model's size gives it the ability to accommodate the largest patients.




Model SB-100-M
Mobile slant back whirlpool



Model SB-100-S
Stationary slant back whirlpool

Models

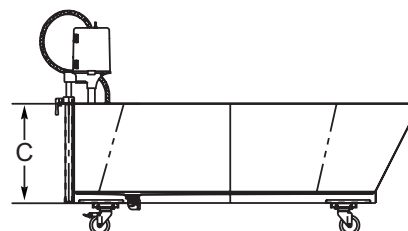
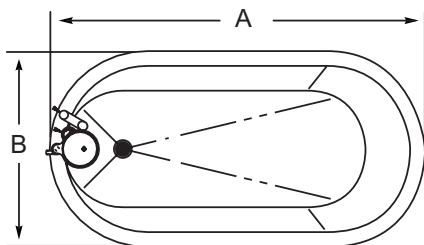
mobile - standard	SB-100-M
stationary	SB-100-S
capacity - gal (L)	100 (378.5)
A - length - in (mm)	76 (1930)
B - width - in (mm)	40 (1016)
C - depth - in (mm)	21 (533)
usage - covers shaded body parts	

Options	
Mobile Options:	Stationary Options:
-ADH	-GFI -MXWH
-GFI	-LOGO -PCS
-PCS	-MXT

Note: Comes complete with 1/2 horsepower turbine, raising & lowering assembly, and dual scale (Fahrenheit & Celsius) thermometer. Dimensions diagram shown for a mobile whirlpool. Dimensions are identical for all other models.

For a description of options, please see pages 27-29.

- Manufactured from recycled materials. 
- Certified per current US & Canada Medical Standards
- Certified per current European Standards



Options for Whitehall Whirlpools

**-AHC1 Adjustable High Chair With Casters****-AHC2 Adjustable High Chair Without Casters**

These chairs are designed for use with either mobile or stationary whirlpools to facilitate treatment of the lower extremities. The height of AHC1 can be adjusted from 33" to 46"; the AHC2, from 29" to 43". Both chairs are constructed from heavy gauge tubular steel and feature a reinforcing brace, arm rests, padded seat and back rest. The attached step is covered with a non-slip rubber mat. Protective rubber bumpers and restraint belts are also provided. The AHC1 is provided with 3" swivel casters—two with brakes. The AHC2 replaces the casters with rubber tips.

USAGE: All whirlpools except for Lo-boys

**-ALC Adjustable Low Chair**

Similar in construction to the high chairs, this low chair can be adjusted from 24" to 29" in height. Protective rubber bumpers, restraint belts and rubber tips for the feet are provided.

USAGE: Podiatry, Extremity & Lo-Boy whirlpools

**-ALS Adjustable Low Stool**

This chair is adjustable from 18" to 28" in height and is designed for use alongside a whirlpool. It is constructed from heavy gauge, chrome-plated tubular steel. The stool features 2" swivel casters, a padded seat and back rest.

USAGE: Podiatry, Extremity & Lo-Boy whirlpools

**-CTS1, -CTS2 and -CTS3 Combination Table with Seats**

These options provide comfortable, rim-height seats for lower extremity treatments and side bench seats for hand/arm treatments on either side of the tank. The bench seats also serve as steps. The top and lower seat have a vinyl upholstered padded seat. The frame is constructed from solid hardwood. The legs are solid oak with a urethane finish. Floor levelers are provided.

USAGE: Hi-boy, Lo-boy & Sports whirlpools



Options for Whitehall Whirlpools



-AS1, -AS2 and -AS3 Adjustable Suspension Seats

These seats are designed for use inside the tank for lower back, hip and leg treatment. Two side brackets with four levels of adjustments (three levels for the -AS3) are provided, along with an adjustable removable seat. The seats are fabricated entirely from Type 304 stainless steel.

USAGE: Hi-boy, Lo-boy & Sports whirlpools

Manufactured from recycled materials. 



-ARS Arm Rest Support

This arm rest is used for supporting the arms or hands on either side of the whirlpool tank. It is fabricated entirely from Type 304 stainless steel and polished to a satin finish.

USAGE: All Whirlpools.

Manufactured from recycled materials. 



-MXT-15 (15 GPM), -MXT-45 (45 GPM) Thermostatic Mixing Valve

These valves are designed to control the mixing of hot and cold water and deliver it at a constant, pre set temperature. The valve is equipped with a union end, angle stop, check valves with built in strainers and vacuum breaker. Control valve is set to deliver water at factory set 105 degrees Fahrenheit and capable of up to 120 degrees Fahrenheit. Failure of the cold water supply will cause the hot water supply to close, eliminating any possibility of scalding.

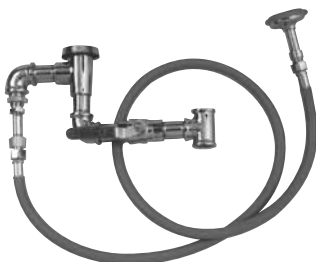
USAGE: All whirlpools



-RC Recessed Cabinet, Stainless Steel

This stainless steel wall-recessed cabinet can be itemized to house the optional Thermostatic Mixing Valve (-MXT).

Manufactured from recycled materials. 



-MXWH Washout Hose Attachment

This option, when installed on the discharge side of the Thermostatic Mixing Valve (-MXT), aids in tank clean up. It consists of a tee fitting, shut off/volume control valve, vacuum breaker, a 9 foot hose with a spray nozzle and a wall mounted hose retainer.

USAGE: All whirlpools



Options for Whitehall Whirlpools



-HR Head Rest, Adjustable

This head rest is used to support the patient's head during treatment. It is made from stainless steel tubing with a cover.

USAGE: Lo-boy whirlpools



-RHG Rubber Hand Grips

The rubber hand grips are designed to snap onto the rim of a whirlpool tank and are made from cylindrical rubber, 1-1/2" in diameter and 6" long.

USAGE: All whirlpools.



-RS Reclining Seat

This seat is used to provide comfort to the patient. The seat is fabricated from stainless steel and polished to a satin finish.

USAGE: Lo-boy whirlpools

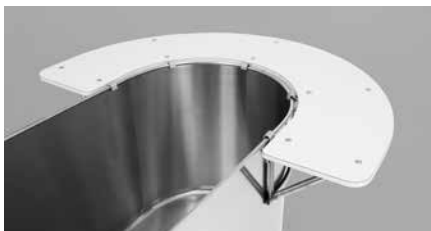
Manufactured from recycled materials. 



-SDO Separate Drain and Overflow Assembly

The assembly is offered only on stationary whirlpools and is furnished in lieu of the standard combination drain and overflow system. This option features a quick open/close, lever operated 2" drain valve and 2" overflow with perforated strainer for greater overflow handling capacity.

USAGE: Stationary whirlpools



-TTS1, -TTS2 Tank Top Seat

The seat is 12" wide and extends around the front and sides of the whirlpool tank to permit easier treatment of lower extremities. The all stainless steel supporting structure with clamps secures the rim firmly onto the tank itself, leaving the area underneath free and unobstructed. The seat top is made of heavy plywood construction with laminate covering.

USAGE: Lo-boy, Hi-boy & Sports whirlpools



F Series - Hubbard Tanks



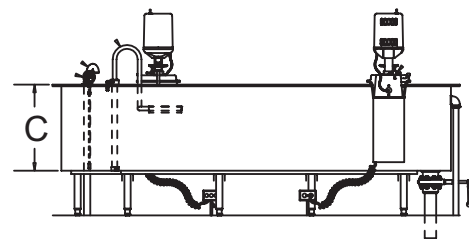
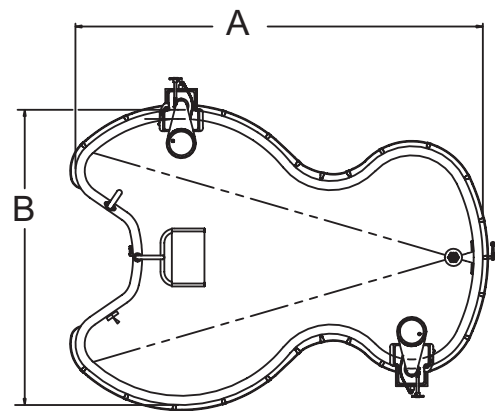
The 425-gallon Hubbard Tank is most commonly used to treat the entire body simultaneously— arms, legs, and trunk of the body. But unlike regular hydrotherapy whirlpools, Hubbard tanks' figure-eight shape gives medical staff easier access to patients. This tank comes standard with twin turbine assemblies, and is capable of providing an increase in the range of motion as well as whole-body access in the treatment of burns and other skin conditions.



Model F-425-S
Hubbard Tank full body whirlpool

Models

Hubbard tanks	F-270-S	F-425-S
capacity - gal (L)	270 (1022.1)	425 (1608.8)
A - length - in (mm)	89 (2261)	106 (2692)
B - width - in (mm)	50 (1270)	77 (1956)
C - depth - in (mm)	22 (559)	22 (559)
usage - covers shaded body parts		



- Manufactured from recycled materials.
- Certified per current US & Canada Medical Standards
- Certified per current European Standards



F Series - Full Body Immersion Tanks



Our Full Body Immersion tanks create a feeling of weightlessness instrumental in water stimulation and healing. **These tanks provide room for body motion and exercise, and a less painful treatment for relief of burns and other skin conditions.** Tanks are stationary and come standard with a turbine assembly, a thermometer, head rest and a seamless covered bottom. The two rectangular tanks are available in 260 or 300 gallon capacities.



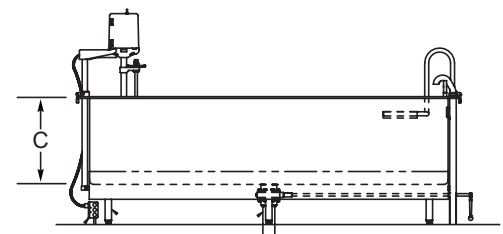
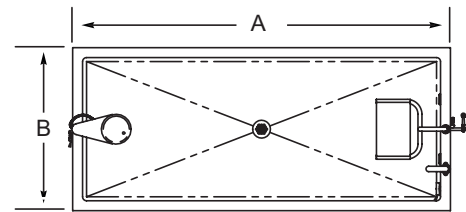
Model F-260-S
Stationary full body whirlpool

BURN TANKS

Models

immersion tanks	F-260-S	F-300-S
capacity - gal (L)	260 (984.2)	300 (1135.6)
A - length - in (mm)	95 (2413)	93 (2362)
B - width - in (mm)	41 (1041)	64 (1626)
C - depth - in (mm)	22 (559)	22 (559)

usage - covers shaded body parts



- Manufactured from recycled materials.
- Certified per current US & Canada Medical Standards
- Certified per current European Standards



Disinfecting Shower / Mixing Unit


Disinfecting Shower/Mixing Units are used in conjunction with Full Body Immersion Tanks. Tempered water is delivered by a shower hose for an invigorating shower. The units may also be used to fill a whirlpool or to automatically mix disinfectant with water through a washout hose for fast, easy cleaning of the whirlpool.

Some Options Available:

- Patient Shower
- Quick Disconnect Connections
- Stainless Steel Filler Hose

Model DU-1
Wall-mounted disinfecting unit



Manufactured from recycled materials. 

Options for Whitehall Burn Tanks



-AEH Attachment for Electric Hoist

This option provides a means of connecting either the Body Support Stretcher (-BSS) or the Body Hoist Sling (-BHS) to an Overhead Electric hoist.

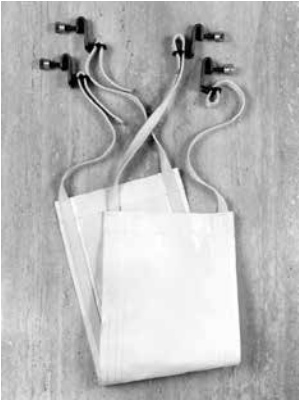


-AMF Adjustable Mounting Fixture

This option is used in conjunction with the Body Support Stretcher (-BSS) to keep the upper part of the body above the water.



Options for Whitehall Full Body Immersion Tanks



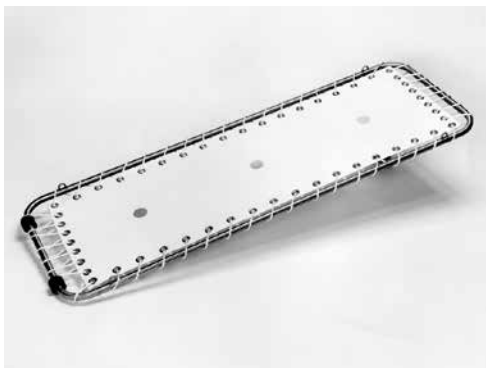
BH Body Hammock

The body hammock securely anchors to the rim of the whirlpool to provide support while exercising or soaking extremities.



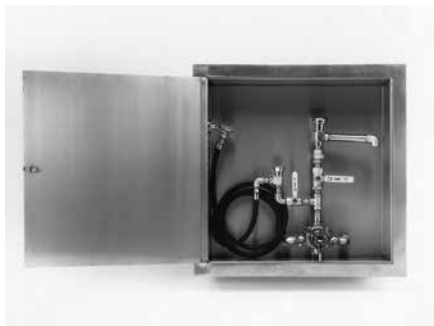
-BHS Body Hoist Sling

When combined with the Attachment for an Electric Hoist (-AEH) and Overhead Electric Hoist, this full size body sling slowly lowers patients into the whirlpool.



-BSS Body Support Stretcher

When used in conjunction with an Overhead Electric Hoist, this stretcher enables the therapist to gently lower patients into the whirlpool.



-RC Recessed Cabinet, Stainless Steel

This stainless steel wall-recessed cabinet can be itemized to house the optional Thermostatic Mixing Valve (-MXT).

Manufactured from recycled materials. 



Thermo-Therapy™

Thermo-Therapy dry heat rehabilitation and healing maintains the same benefits as hydrotherapy without the cleanup. Extremities are inserted into an environment similar to a dry whirlpool while thousands of cellulose granules called Celstim massage the affected area. Heated air swirls the Celstim into a current which rolls and relaxes the affected area while providing dry heat to the surface of extremities, **improving circulation** and **desensitizing nerve damage**. The limb **retains mobility** within the dry heat chamber to **promote free movement during therapy**.

- Softens hand before treatment
- Helps regain range of motion
- Helps reduce inflammation and congestion in the tissues
- Good for treatment of arthritis, muscle spasms, muscle sprains and strains



FEATURES:

-  Overheating Safety Sensor
-  Even Temperature Control
-  Heavy-Duty Construction
-  Quieter
-  Less Expensive
-  Easier to service



Dry Therapy Units

H A



Model TT-101
10lb unit w/ optional stand

The TT-101 **space-saving unit** is designed for use with one extremity at a time, providing comfortably heated Celstim at a safe maximum temperature of 128°F (53.3° C) and allowing for applications on a table, floor or stand. Celstim temperature is regulated by a digital thermometer while treatment time is controlled by a built-in timer. The Celstim capacity is approximately 10 lbs. (4.5 kg) with the heated airstream provided by a single noise-reduced, variable speed blower.



Model TT-101L
12lb unit w/ optional stand

The TT-101L is designed for use in a **small clinic or office**, and is virtually the same as the TT-101, but with a larger chamber and capacity to treat more of the arm or leg. The TT-101L is 3" (76 mm) deeper and 2" (50 mm) longer with a Celstim capacity of approximately 12 lbs. (5.9 kg). The TT-101 and TT-101L can be ordered with an optional stand on casters.



Model TT-202
50lb unit (front & rear views)

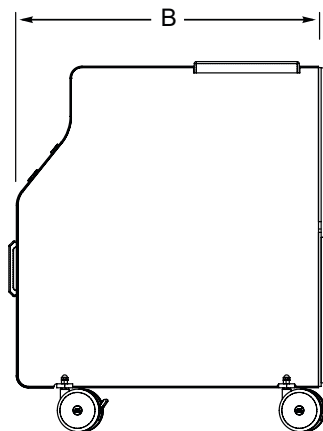
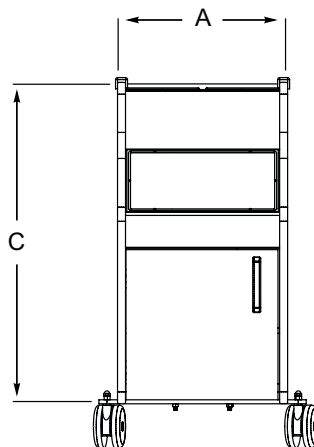
Model TT-202's **extra large treatment** chamber has an approximate 50 lb. (23 kg) Celstim capacity with two top and rear entry ports to treat both arms or both feet at the same time. Two blower motors combine with the heater and are individually controlled through independent speed manipulation to provide varying airflow patterns. This allows for a specific "dry whirlpool" effect to create the most therapeutic dry heat environment.



Dry Therapy Units



Model TT-101
10lb unit w/ optional UCH stand



Dry Heat Therapy Units

table top model	TT-101	TT-101L	---
floor model	---	---	TT-202
capacity	10lbs	12lbs	50lbs
A - width - in (mm)	19-1/2 (500)	23 (580)	29 (740)
B - length - in (mm)	10-1/2 (270)	10-1/2 (270)	16-1/2 (420)
C - height - in (mm)	15 (380)	18 (460)	35 (890)
usage			

Replacement Celstim
TT-908
Two 5-lb (13 kg) plastic containers of sterilized



Model TT-900L stand

Optional Stands

model #	TT-900	TT-900L	UCH
used with model	TT-101	TT-101L	TT-101/TT-101L
width - in (mm)	13-1/2 (340)	13-1/2 (340)	16 (406)
length - in (mm)	30 (760)	33 (840)	25 (635)





Thermalators® Moist Heating Units

Whitehall Thermalators maintain a constant water temperature and come standard with exposed heating elements. These units provide for comfortable and effective moist heat therapy, promoting both easy cleaning and safety. The tank body, lid, bottom and tank housing are all made from type 304 stainless steel for years of trouble-free use. The color coded Thermal-Packs fit onto a sturdy stainless steel, vinyl coated wire rack. Inside the unit is a heating element and temperature sensor. Bottom feet keep the unit from slipping and marring the surface of the countertops. Units have a snap-off thermal protector to prevent overheating. A drain valve located on the back of most units makes them easy to clean. The Thermalator is offered in sizes that accommodate 4, 6, 8, or 12 hot packs. All units have covered bottoms and are thermostatically controlled. T-4-S, T-6-S and T-8-S are supplied as countertop models. T-8-M and T-12-M are supplied as mobile models with 4 caster wheels (2 are locking).



Models

heating unit	T-4-S	T-6-S	T-8-S	T-8-M	T-12-M
A - length - in (mm)	10 (254)	15 (381)	16 (406)	16 (406)	16 (406)
B - width - in (mm)	8 (203)	12 (305)	18 (457)	18 (457)	24 (610)
C - height - in (mm)	15 (381)	21 (533)	18 (457)	32 (813)	32 (813)
thermal-packs included	4 standard	1 cervical, 2 oversize, 3 standard	8 standard	8 standard	12 standard
preview					

NOTE: Wire racks, Thermal-Packs and filler hose included with every unit (Filler Hose not included on model T-4-S). Various combinations and sizes of Thermal-Packs are available. 220V models also available (ET-4-S, ET-6-S, ET-8-S, ET-8-M, ET-12-M).

- Certified per current US & Canada Medical Standards
- Certified per current European Standards



MOIST HEAT THERAPY

Thermalators® Moist Heating Units

A C S

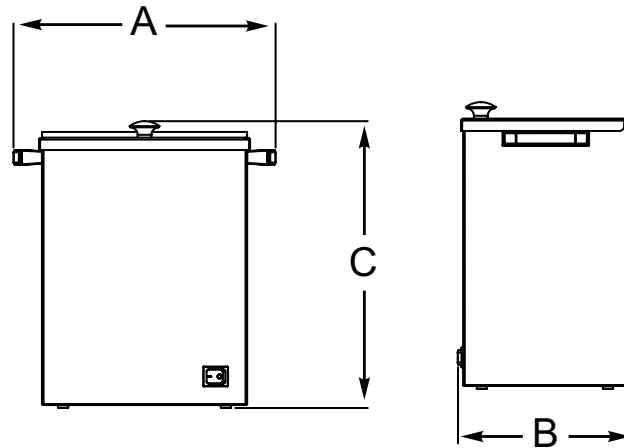
Whitehall's Thermalator Moist Heat Therapy line features stainless steel units which store and heat Thermal Packs at a **consistent temperature**. Heated Thermal Packs are then applied to affected areas, penetrating heat deep into the muscle to **provide therapeutic circulation & pain relief**.



Packin' a punch. The Little Therm is a miniature version of the Thermalator, containing four standard Thermal Packs. This clean, aesthetic stainless steel design is economically priced and is **perfect for home and small clinic applications**.



Model LT-4
Little Therm



Models

heating unit	LT-4
A - length - in (mm)	8-5/8 (219)
B - width - in (mm)	13-1/4 (336)
C - height - in (mm)	14-1/2 (368)
thermal-packs included	4 standard

preview



- Certified per current US Standards
- This model not available in 220 voltage



Thermalator with Lock and Thermometer



Patient care & safety first.

This new Thermalator unit is designed to help keep patients injury-free. The lock keeps the lid from being opened accidentally.

The thermometer reader displays the acute temperature at all times, saving time on daily recording.



Helps protect from patient burns

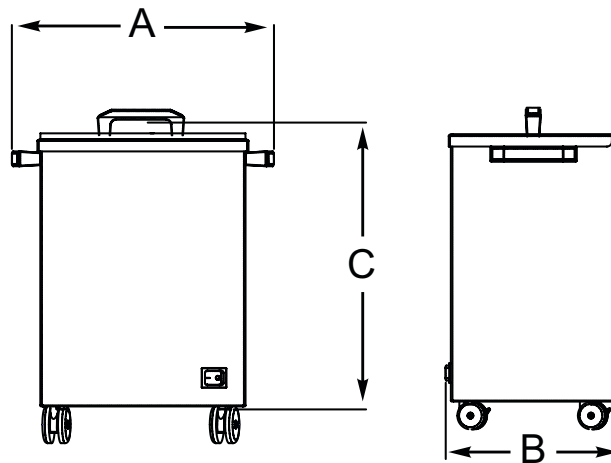


Model T-12-M-LT

Models

heating unit	T-12-M-LT
A - length - in (mm)	16 (405)
B - width - in (mm)	24 (610)
C - height - in (mm)	32 (813)

preview



- Certified per current US & Canada Medical Standards
- Certified per current European Standards
- for 220 voltage use MODEL ET-12-M-LT



Thermal-Packs



Whitehall moist heat Thermal Packs contain bentonite clay filling which retains and evenly distributes heat for up to 30 minutes of therapy. Heavy duty nylon thread keeps them durable while 100% pure cotton keeps them soft & comfortable. Terry covers optional.



Model TST1
Standard pack



Model TCV1
Cervical pack



Model TOV1
Oversized pack

Models

therapy pack	TST1	TCV1	TOV1	TSL2	TSL1	THF1	TKS1	TMY1	TCB1
length- in (mm)	12 (305)	24 (610)	15 (381)	10 (254)	10 (254)	5 (127)	10 (254)	23 (585)	24 (610)
height- in (mm)	10 (254)	---	24 (610)	24 (610)	18 (458)	12 (305)	20 (508)	---	23 (585)

size									
	standard	cervical	oversize	spinal	spinal	half	knee/shoulder	myofacial	cervi-back

Thermal-Pack Covers



Models ATC4
Standard size terry cover

For increased sanitation, reinforcement and comfort. Durable Velcro lining encases the pack during therapy and provides for quick and easy removal for wash & re-use.

Terry & Foam Filled units

terry	ATC4	ATC2	ATC6
foam filled	FTC4	FTC2	FTC6
size	standard	cervical	oversize

preview			
---------	--	--	--



Model ATC2
Cervical terry cover with TCV1

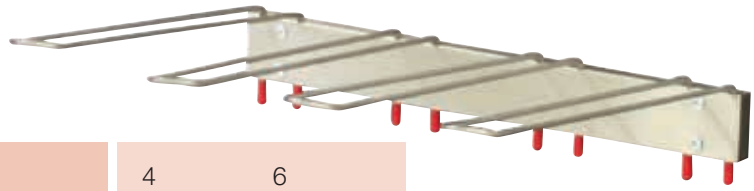


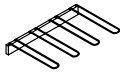
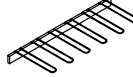
Thermal-Pack Cover Drying Racks

A

C

Thermal-Pack drying racks are an economical and efficient way to dry Thermal-Pack terry covers. Racks are made from corrosive-resistant stainless steel. Available in four or six hanger configurations.



hooks	4	6
model	TDR-4	TDR-6
preview		

Manufactured from recycled materials. 

S

Thermalator Moist Heating Unit Accessories

A

C

S



-EG Enviro-Glaze®

This coating creates a smooth, protective exterior color finish. Some color choices feature a slight orange peel texture which will not bubble, endures impact and is chip resistant. Enviro-Glaze gives you the durability of stainless steel in a choice of decorative colors.

USAGE: All Thermalators



-IW4, IW6 Insulating Wrap

This long lasting, commercial grade grey vinyl cover insulates the Thermalator and cuts energy use in half. It easily installs with Velcro® and keeps the exterior surface cool to the touch.

**USAGE: IW4 - Thermal-Pack T-4-S
IW6 - Thermal-Pack T-6-S**



-SBW Side Bottle Warmers

This rack holds (3) 8-ounce dispensing bottles and affixes to the front of the unit to absorb radiated heat in order to warm massage oil or ultrasound lotions.

USAGE: T-4-S & T-6-S Thermalators

Manufactured from recycled materials. 



-STR-1 Side Table Rack

This helpful Side Table Rack has three shelves and may be attached to the side of any Thermalator(listed below) for convenient storage of bottles and Terry covers.

USAGE: T-8-M & T-12-M Thermalators

Manufactured from recycled materials. 

MOIST HEAT THERAPY



Cleat Warmers




The cleatPRO unit contains an exposed heating element that heats water in an enclosed tank.

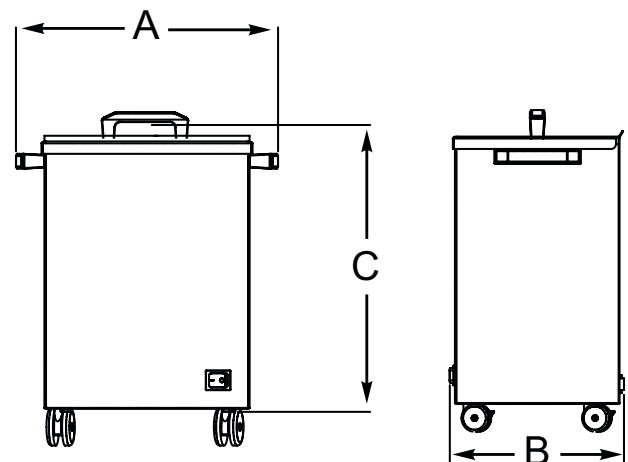
The enclosed tank “steams” cleats while they hang on the interior cleatPRO rack inside the enclosed tank.

Steaming time ranges between 2 – 30 minutes based on an athlete preference. cleatPRO can be used to steam and contour the fit of new unworn cleats as well as for daily steaming of pre-worn cleats.



Models

heating unit	T-12-M-CC
A - length - in (mm)	16 (405)
B - width - in (mm)	24 (610)
C - height - in (mm)	32 (813)
preview	



- Certified per current US & Canada Medical Standards
- Certified per current European Standards



ParaTherapy



Our ParaTherapy Tanks are a stationary alternative to conventionally portable models, perfect for all clinical and healthcare applications. Constructed of 80% recycled stainless steel, ParaTherapy Tanks provide heat to aid in increased circulation and help to ease muscle tension and strain. Each unit is thermostatically controlled and furnished with a light stainless steel cover, complete with a power indicator to show that the paraffin is heating.

Whitehall paraffin refills are of high quality food grade paraffin that provides excellent thermal effect and heat retention properties. Refills meet FDA requirements and are packaged in blocks, granules, or pouches. Granules and pouches are most suitable for replacing minor solution losses.

Provides heat to aid in increased circulation and helps to ease muscle tension and strain.



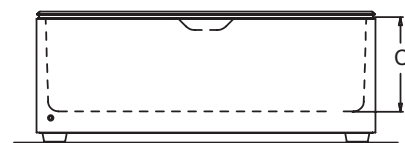
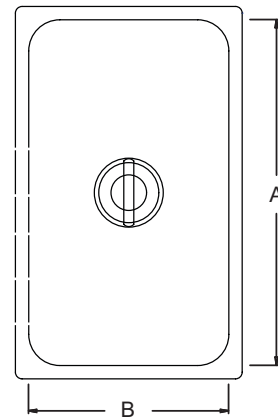
Model PT-18-S
18lb capacity stainless tank



Model PT-6-S
6lb capacity stainless tank

Models

model	PT-6-S	PT-18-S
A - interior length - in (mm)	13 (33)	21 (580)
B - interior width - in (mm)	7 (178)	13 (270)
C - interior height - in (mm)	7-3/4 (179)	7 (460)
capacity - lb (kg)	6 (3)	18 (8)
type	stationary w/ 6lbs of wax	stationary w/ 18lbs of wax



NOTE: 220V models also available (PT-6-S-V-INT, PT-18-S-V-INT)

- Manufactured from recycled materials.
- Certified per current US Standards



Dickson Paraffin Tanks



Dickson Paraffin Tanks prove time and time again to remain the most luxurious and durable part of Whitehall's paraffin therapy product line. These top-of-the line models are finished with solid, polished hardwood moldings that are contoured to provide for a comfortable & cool arm or leg rest during paraffin therapy.

Dickson units offer luxury to any healthcare application, and each unit boasts a convenient high-heat, self sanitizing circuit which cleans and sanitizes the paraffin while the unit is not in use, **saving time & money and maintaining a sanitary environment.**

Ideal for environments where sanitation is important.



Model PB-105
48lb capacity stainless tank with mobile stand



FEATURES A
HIGH TEMPERATURE
SANITIZING CYCLE



Model PB-104
18lb capacity stainless tank with mobile stand

The PB-104 and PB-105 tanks come furnished with polished hardwood moldings for patient comfort and application aesthetics. The PB-105 is the largest clinical paraffin therapy unit and is provided with a **two piece cover that enables users to treat a larger portion of the extremity.** The PB-104 has a single lid and is half the size of the PB-105, perfect for smaller healthcare applications.

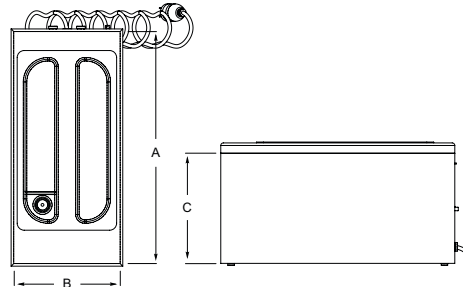
Also included with both models is a bi-metal thermometer that is recessed in the hardwood molding for added safety. Both have a timed high heat sanitizing circuit, making them ideal for clinics, nursing homes, and doctor's offices where sanitation is important.



Paraffin Tanks

H S

The small model PB-107 utilizes a timer-controlled high heat sanitizing circuit. These **space-saving** and economical Dickson paraffin baths are normally placed on a counter, floor or optional stand.



Models

model	PB-107	PB-104	PB-105
A - interior length - in (mm)	12 (200)	14 (360)	25 (640)
B - interior width - in (mm)	6 (150)	7 (180)	11-1/2 (290)
C - interior height - in (mm)	6 (150)	9-1/2 (240)	10 (250)
capacity - lb (kg)	6 (2.7)	18 (8)	48 (22)
type	stationary unit w/timed sanitizing circuit	mobile stand, drain, timed sanitizing circuit, corrosion resistant tank	mobile stand, drain, timed sanitizing circuit corrosion resistant tank

Dickson & ParaTherapy Accessories and Refills

H S

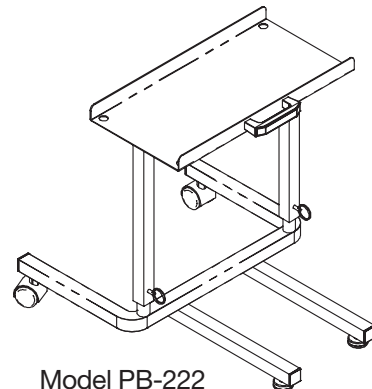
Paraffin may need replacement or refill. Individual pouches, blocks and granules are most suitable for replacing minor solution loss. For applications requiring height for upper extremities, Whitehall offers a Mobile Stand option with adjustable height settings and rolling casters.



Model RK-36B
Paraffin granules



Model PB-301
Paraffin blocks



Model PB-222
mobile stand

Refills

RK-36B	refill case of 36 one-pound paraffin granules
PB-301	block kit - 12 one-pound paraffin blocks

Mobile Stands

PB-222	mobile stand for PB-107
--------	-------------------------

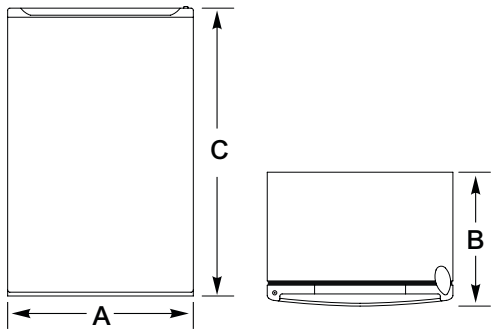


The proper application of cold therapy maintains an array of therapeutic benefits when treating acute injuries such as muscle strain and hyperextension. Whitehall Glacier Freeze chilling units regulate chilled Glacier Packs at a proper cold temperature before being applied to problem areas on the surface of the skin and muscle. **Cold therapy creates a muscle guarding effect** which constricts damaged tissue and promotes vaso-constriction, an involuntary constriction of the blood vessels in order to **reduce swelling**.

Glacier Freeze Chilling Units



Whitehall's Glacier Packs are durable as well as flexible. Constructed with a 13 mil PVC cover, our packs contain flexible filler that never freezes, allowing them to more effectively mold to the treatment area. Each reusable pack is double seamed for added durability and provides up to 30 minutes of cold therapy treatment. Glacier Freeze provides convenient and reliable storage for all Glacier Packs. It's designed to keep them properly stored and ready to use. Each unit comes with stainless steel shelves for 12 standard Glacier Packs and a molded compartment for Ice Cups*, which are used to penetrate cold therapy deep into muscles. Oversized packs are easily stored on the bottom shelf.



Model GF-12 Glacier Freeze
*Ice Cups not included

Models

chilling unit	GF-12	GFS-12	GFS-1
A - length - in (mm)	24 (610)	26-1/2 (673)	26-1/2 (673)
B - width - in (mm)	22 (559)	22-1/2 (572)	22-1/2 (572)
C- height - in (mm)	34 (864)	53 (1346)	19 (482)
includes	12 standard size Glacier Packs	stand & 12 standard size Glacier Packs	stand only



Model GFS-1
Glacier Freeze stand



A C T

Little Freeze



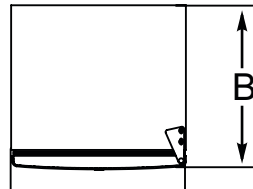
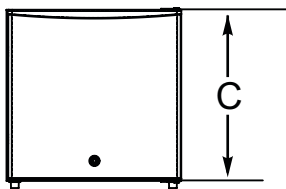
Chill out with Little Freeze. This compact chilling unit comes standard with specially designed shelves that store four included Glacier Packs, providing easy access and removal for quick pain relief. The Little Freeze performs the same big chill as the Glacier Freeze in one small, economical unit.



Model LF-4
Little Freeze chilling unit
*Ice Cups not included

Models

Little Freeze	LF-4
A - length - in (mm)	20-1/4 (514)
B - width - in (mm)	18-1/2 (470)
C- height - in (mm)	19-1/2 (495)
includes	4 standard size Glacier Packs



COLD THERAPY

Glacier Packs

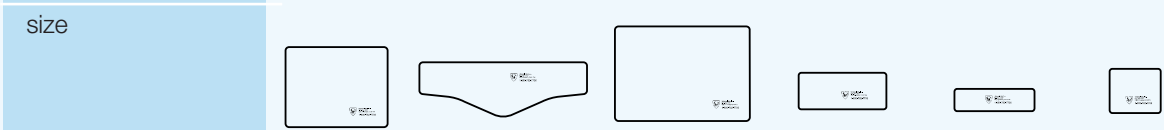
A C T

Whitehall's Glacier Packs are durable as well as flexible. Constructed with a 13 mil PVC cover, our packs contain flexible filler that never freezes, allowing them to more effectively mold to the treatment area. Each reusable pack is double seamed for added durability and provides up to 30 minutes of cold therapy treatment.



Models

therapy pack	IST-1	ICV-1	IOV-1	IHF-1	ITH-1	IQR-1
length - in (mm)	14 (356)	23 (584)	18-1/2 (470)	11 (279)	11 (279)	7 (178)
height - in (mm)	11 (279)	--	13 (330)	7 (178)	3 (76)	6 (152)



Forma-Splint Splint Pans



Whitehall's Forma-Splint line incorporates the most advanced splint pans in the industry. With a durable stainless steel rim for enhanced longevity, all models offer simplicity and eco-friendly functionality. Amenities such as an overheating safety sensor, digital thermometer and ball valve drain enhance Whitehall splint pans and provide healthcare applications with the most professional, sanitary and functional choice. All units maintain precise temperatures and give clinicians full control of splint pan settings.



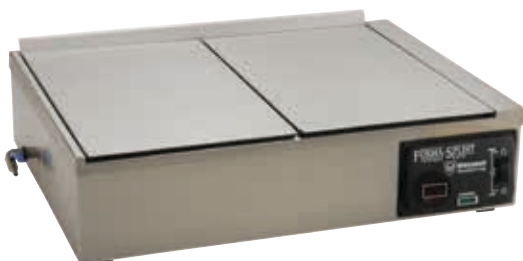
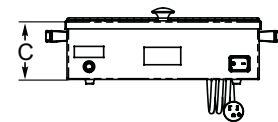
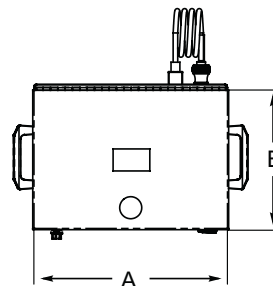
The Little Splint is the first of its kind. Its durable stainless steel construction and extremely fast heat-up time make it the only ultra-portable splint pan capable of meeting the most demanding routines.

Models

splint pan	LS-1
A - overall length - in (mm)	16 (406)
B - overall width - in (mm)	10-1/2 (267)
C - overall height - in (mm)	5-3/16 (132)
interior length - in (mm)	13 (330)
interior width - in (mm)	9-1/2 (241)
interior height - in (mm)	2-1/5 (56)



Model LS-1
Little Splint splint pan



Model SP-1501

The spacious stainless steel interior of the SP-1501 accommodates splinting sheets up to 24" x 18" (61 cm x 46 cm). The hinged stainless steel split-lid is functionally designed to open completely or to one side with just one hand, leaving the other hand free. This unique design allows handy access to just half the pan when preparing smaller sheets. This model features dual thermostatic controls regulated by a high/low switch. The thermostats can be individually adjusted to conform to particular requirements. Dual independent heating elements for both settings provide quick warmup and automatically convert to a more efficient circuit once working temperature is reached.



Splint Pan Model SP-1502

A compact design makes the SP-1502 universally ideal for clinical use, accommodating sheets up to 19" x 11" (48 cm x 28 cm). The variable temperature thermostat maintains water at a user-adjustable temperature between 150°F and 190°F (66°C to 88°C).



Model SP-1502

Model SP-1501 with slider lids

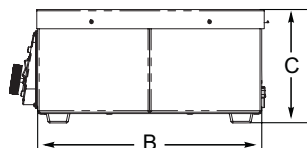
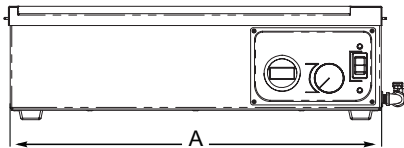
The -SLD option provides access to Forma-Splint's spacious interior by using a sliding lid instead of the standard flip-open lid. This is especially useful in avoiding clearance issues when the unit is placed in a space-saving location.



Model SP-1501-SLD

Model SP-1600 Water Bath

The SP-1600 Water Bath series offers full capability of managing even the largest head and shoulder splints in the industry. The SP-1600-A option provides a manually adjusted thermostat while the SP-1600-D digital processor delivers precise temperatures within +/- 1 degree.



SP-1600 on UCH-2 cart

Models

splint pan	SP-1502	SP-1501	SP-1501-SLD with slider lid	SP-1600-A	SP-1600-D
A - overall length - in (mm)	23-1/2 (600)	28-1/2 (720)	28-1/2 (720)	33 (838)	33 (838)
B - overall width - in (mm)	14-1/4 (360)	21 (530)	21 (530)	26 (660) 2	6 (660)
C - overall height - in (mm)	7 (180)	7 (180)	7 (180)	8 (203)	8 (203)
interior length - in (mm)	19-1/2 (500)	24-1/2 (620)	24-1/2 (620)	26 (660)	26 (660)
interior width - in (mm)	11-7/8 (180)	18-1/2 (470)	18-1/2 (470)	22 (559)	22 (559)
interior height - in (mm)	4-1/2 (110)	5 (130)	5 (130)	5 (130)	5 (130)

- Manufactured from recycled materials.
- Certified per current US & Canada Medical Standards
- Certified per current European Standards







Bottle Warmers



Whitehall bottle warmers & heating units keep ultrasonic gels and creams just above body temperature and allow for comfortable application. The –SBW option requires zero energy by simply affixing to the front of Thermalator units and absorbing excess radiated heat to warm up creams and lotions.



EBW Models
Left to Right: Model EBW-1, EBW-4, EBW-2

bottle warmer	SBW	EBW-1	EBW-2	EBW-4
bottle capacity	3	1	2	4
preview				

Utility Carts

Whitehall’s utility carts feature durable, impact-resistant stainless steel construction as well as casters for mobility. The side table rack can be attached to a mobile Thermalator T-8 or T-12 for easy extra storage.

utility cart	UCH	UCU-1	UCA-1	UCH-1	UCH-2	STR-1
length - in (mm)	25 (64)	21 (534)	21 (534)	24 (610)	37 (940)	20 (508)
width - in (mm)	16 (407)	16 (407)	16 (407)	16 (407)	27 (686)	13-1/2 (343)
height - in (mm)	19 1/4 (49)	30 (762)	30 (762)	32 (813)	33 (838)	28-5/8 (728)
type	2-shelf, assembled w/ handle	3-shelf, unassembled	3-shelf, assembled handle	3-shelf assembled w/ handle	3-shelf, assembled w/ handle	side table rack

- Manufactured from recycled materials. 



Model UCA-1
3-shelf utility cart



Model UCH
2-shelf utility cart w/handle



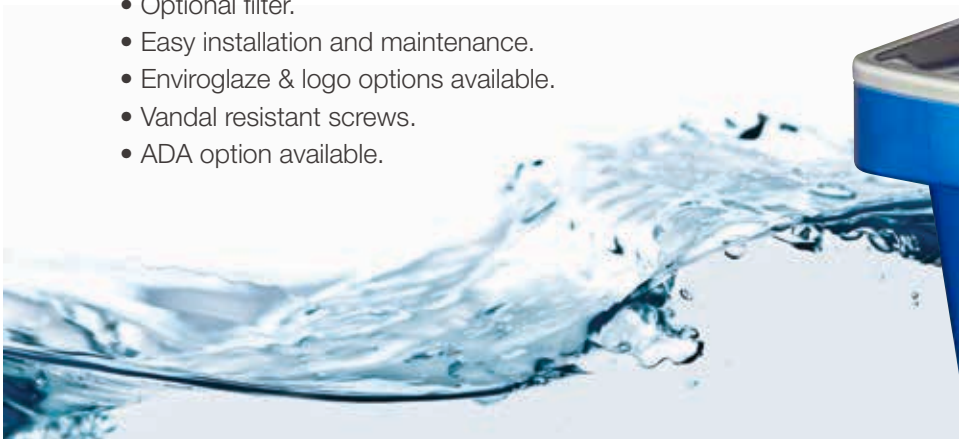
Model UCH-2
3-shelf utility cart w/handle
Load tested, heavy duty



Hydrating Products

Water Cooler & Bottle Fillers

- 18 gage stainless steel.
- Convenient push-button or sensor activation.
- 1 gpm quick fill low rate allows users to fill water bottles quickly.
- Key latch opens adjacent hinge door for simple filter replacement and maintenance.
- Laminar flow eliminates splash.
- Optional filter.
- Easy installation and maintenance.
- Enviroglaze & logo options available.
- Vandal resistant screws.
- ADA option available.



Model A171408F-BF25
Bottle filler & water cooler together,
bottle filler is not sold separately

Drinking Fountain / Cuspidor

- 8 gage, 304 stainless steel cabinets. 16 gage, galvanized mounting frames.
- Polished chrome plated brass, anti-rotation non-squirt bubbler.
- Copper tube on stainless steel tank evaporator.
- 100 mesh inlet strainer.
- Vandal resistant screws.
- ADA option available

A4814085	Drinking Fountain
A4804000-CUSP	Cuspidor
A4814085-CUSP	Drinking Fountain with Cuspidor

ADDITIONAL PRODUCTS



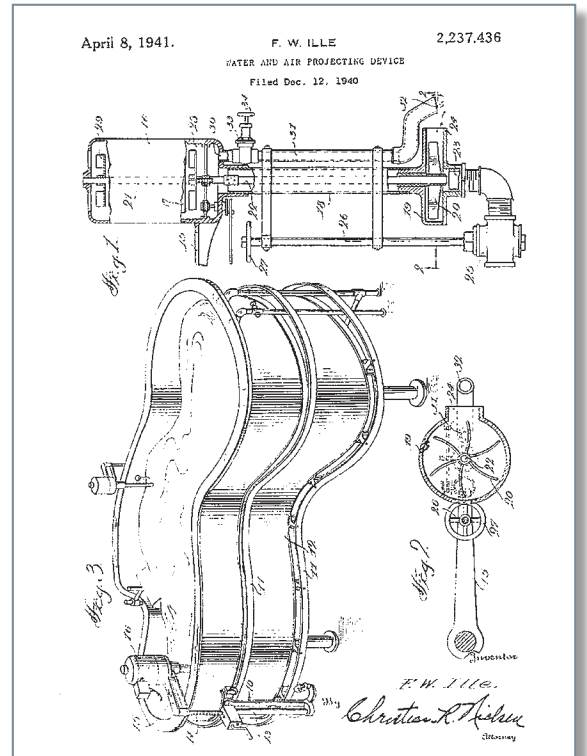


70 Years Of Quality And Commitment!

Sal Zaita founded Whitehall Manufacturing in 1946. Originally based in New Jersey, Whitehall was a key manufacturer of whirlpools designed to treat injured soldiers after World War II. Many of Zaita's original designs are still manufactured today, a true testament to the quality and durability of the product and its design.

In 1986, Acorn Engineering Company acquired Whitehall. Now a family company of Morris Group International, Whitehall's operations were relocated to City of Industry, CA, where they remain today.

From our roots in New Jersey to modern growth and strong acquisitions, Whitehall continues to grow, expand and adapt to meet various customer specifications. We are constantly on the lookout for new opportunities to reach the healthcare and rehabilitation markets, while providing diverse product lines to meet the changing needs of healthcare providers.



Burn tank & turbine diagram for Patent submission



1946



1986



1990



2005



2013



2016



Whitehall Manufacturing
Manufacturer of Healthcare and Rehabilitation Products since 1946

CONTACT US:



MORRIS GROUP
INTERNATIONAL