

vive®

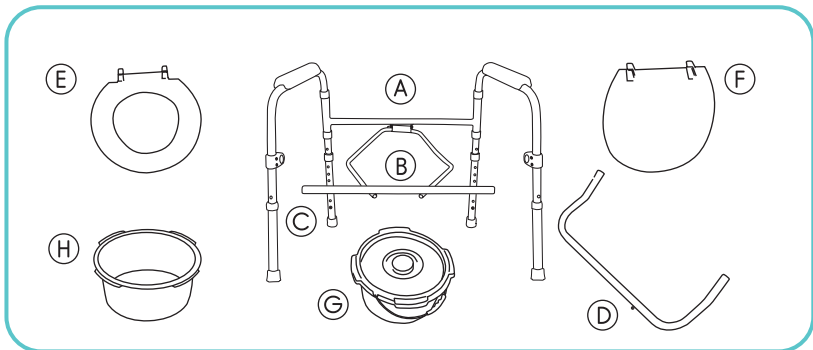


# **FOLDING COMMODE**

Owner's Manual  
LVA1038

## WHAT'S INCLUDED

- (A) 1x Commode Frame
- (B) 1x Bucket Frame (Pre-installed)
- (C) 4 Legs (Pre-installed)
- (D) 1x Backrest
- (E) 1x Toilet Seat
- (F) 1x Cover
- (G) 1x Bucket & Lid
- (H) 1x Splash Guard

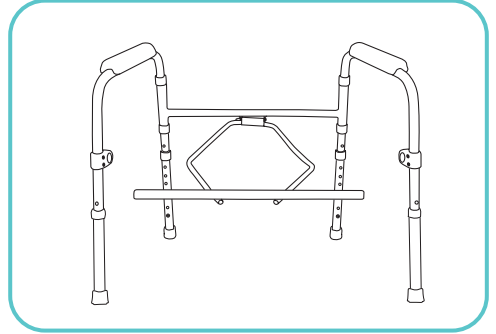


## SPECIFICATIONS

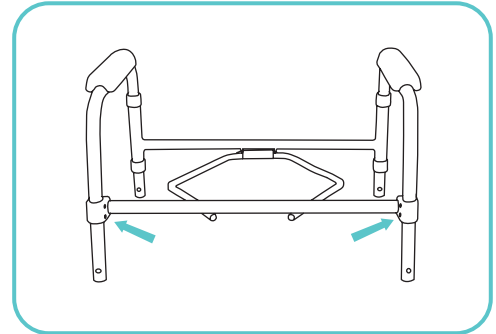
- Width: 27"
- Depth: 19"
- Adjustable Height (From Seat): 16.5" - 22.5"
- Adjustable Height (From Armrest): 24" - 30"
- Bucket Diameter: 11"
- Max User Weight: 350 LBS

# ASSEMBLY INSTRUCTIONS

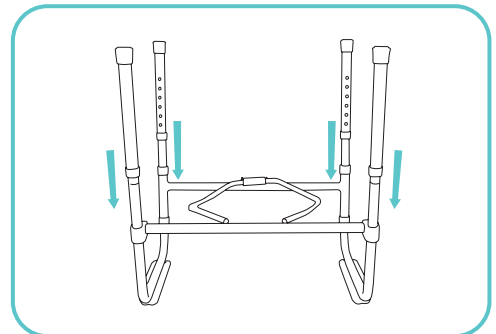
1. Open the commode frame (A) and place on floor.



2. Secure bucket frame (B) in place by inserting the front cross brace into the fastener receptacles located on the front of the commode frame. The push buttons will “click” in place when they are secure.

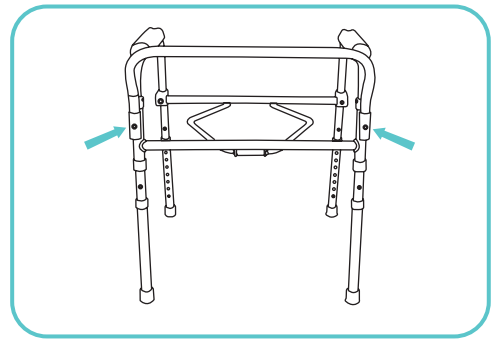


3. Turn frame upside-down. Adjust the length of the preinstalled legs (C) by pressing the rounded brass locking pin in and pushing/pulling the leg to the desired length. The locking pins will click into place when aligned with an adjustment hole.

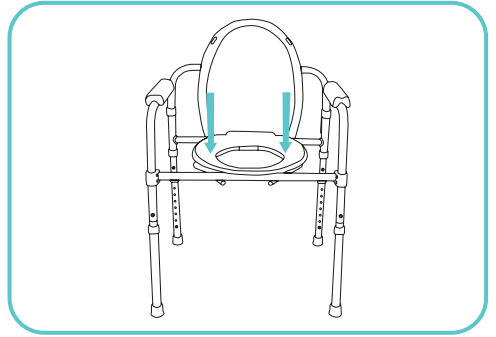


4. Turn the commode right-side up. Insert the backrest (D) into the proper receptacles located on the back of the commode frame by depressing the push pins and sliding into place. You will hear an audible click when secure.

**Note:** Backrest should be facing outwards, away from the seat. If installed backwards, the toilet seat will not open completely.

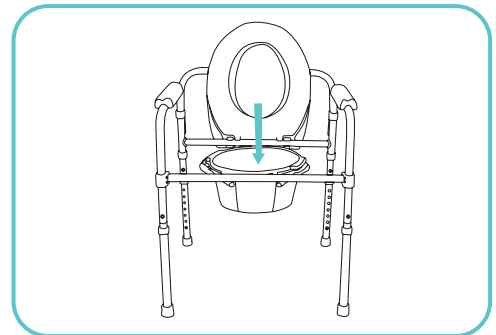


5. Attach the toilet seat (E) and cover (F) to the back of the frame. The toilet seat hooks should fit inside the hooks of the cover.



6. Lower splash guard (H) and commode bucket (G) into frame and return seat to down position. Now your seat is fully assembled.

**Note:** Remove bucket lid before use.



## ADJUSTABLE LEG HEIGHT

Before use, adjust height of each leg to your specific needs, making sure all legs are at the same height. When desired height is reached, lock legs into place by aligning buttons into proper holes.

## WARNINGS

- Check periodically to make sure brass pins and fasteners are secure.
- Toilet seat must be in down position before use. Failure to do so may result in bodily injury or commode breaking.
- Do not install commode without first reading and understanding this manual. Failure to follow directions may result in product damage or user injury.
- Inspect all parts for shipping damage before assembly. If there is damage, please contact Vive Health Customer Support.
- Check rubber tips on the leg extensions for rips, wear or if they are missing. Immediately replace any if necessary.
- All four legs must be touching the floor simultaneously at all times to ensure safety.
- Users with limited physical strength should be supervised or assisted while using commode.

## WARRANTY INFORMATION



### LIFETIME GUARANTEE

You are protected by Vive Health's industry leading guarantee and customer service.