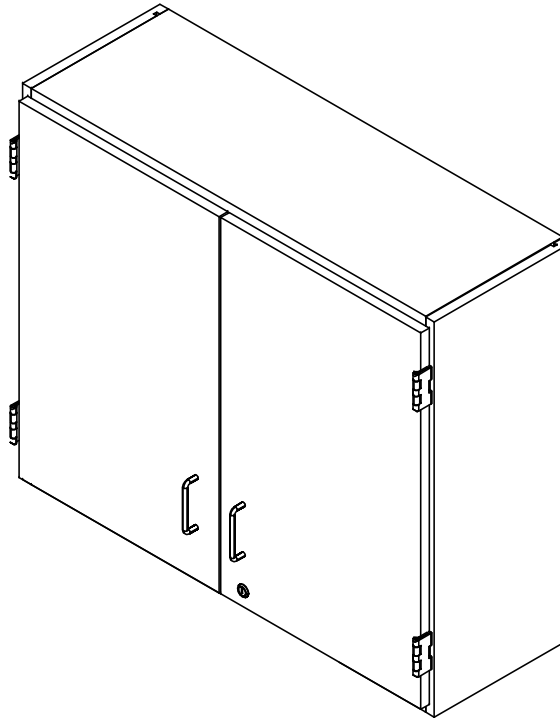


WALL CABINETS

B SERIES (18"H), C SERIES (24"H), D SERIES (30"H), E SERIES (36"H), & MC-1 WALL UNITS
ASSEMBLY INSTRUCTIONS



NOTE:

1. MODEL VIEWS MAY NOT REPRESENT EXACT MODEL PURCHASED

DWN BY:	EMK	DWN DATE:	1/9/15
APR BY:		DATE APR:	
APR BY:		DATE APR:	

UNLESS OTHERWISE SPECIFIED
DIMENSION ARE IN INCHES
CABINET SQUARENESS ± .0625
FRACTIONAL VALUES ± 1/32"
- ALL VALUES ± OVERALL -



300 South Krueger Street
Suring, WI 54174
diversifiedwoodcrafts.com

TITLE:
WALL CABINETS
ASSEMBLY INSTRUCTIONS

REV.	DESCRIPTION	DATE	NAME	ECH NO.
A	CREATED ASSEMBLY INSTRUCTIONS	1/9/15	EMK	-
REVISION LEVEL				

THIS DRAWING IS THE SOLE PROPERTY OF
DIVERSIFIED WOOD CRAFTS. IT MAY NOT
BE ALTERED OR CHANGED WITHOUT
PERMISSION

DRAWING NUMBER:	SCALE:	SHEET:	REVISION:
WALL CABINETS	NTS	1 OF 3	REV A

TOOLS REQUIRED

DRILL

ASSEMBLY COMPONENTS

ITEMS INCLUDED	PART #	PART DESCRIPTION	QTY
CABINET	N/A	CABINET - SIZE VARIES	1
SCREWS	N/A	SCREWS - DEPENDING ON MATERIAL CABINETS HUNG FROM	VARIES
SHELF CLIPS	100027	SHELF CLIPS, PLASTIC, 5MM PIN	VARIES

NOTE:

1.

DWN BY:	EMK	DWN DATE:	1/9/15
APR BY:		DATE APR:	
APR BY:		DATE APR:	



300 South Krueger Street
Suring, WI 54174
diversifiedwoodcrafts.com

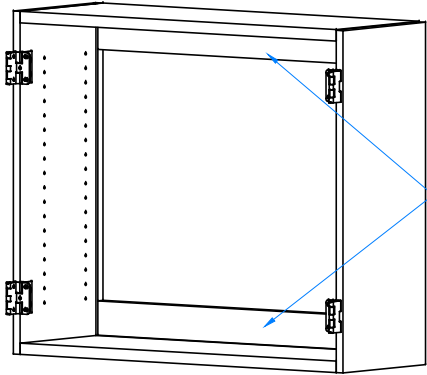
UNLESS OTHERWISE SPECIFIED
DIMENSION ARE IN INCHES
CABINET SQUARENESS ± .0625
FRACTIONAL VALUES ± 1/32"
- ALL VALUES ± OVERALL -

TITLE:
WALL CABINETS
TOOLS AND ASSEMBLY COMPONENTS

REV.	DESCRIPTION	DATE	NAME	ECN NO.
A	CREATED ASSEMBLY INSTRUCTIONS	1/9/15	EMK	-

THIS DRAWING IS THE SOLE PROPERTY OF
DIVERSIFIED WOOD CRAFTS. IT MAY NOT
BE ALTERED OR CHANGED WITHOUT
PERMISSION

DRAWING NUMBER:	SCALE:	SHEET:	REVISION:
WALL CABINETS	NTS	2 OF 3	REV A

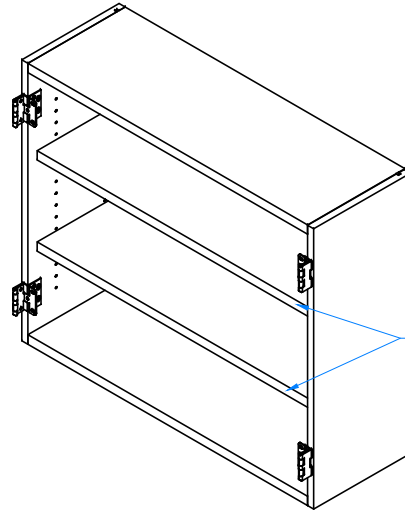


FASTENING CLEATS

¼" BACK AND DOORS REMOVED TO SHOW CLARITY

STEP 1:

PLACE CABINET IN DESIRED LOCATION. PUT ONE SCREW IN EACH CORNER OF THE FASTENING CLEAT. FASTENING CLEATS ARE DOWN 3" FROM THE TOP AND 3" UP FROM BOTTOM. ADD AN ADDITIONAL SCREW IN THE MIDDLE OF EACH CLEAT FOR CABINETS OVER 36" WIDE. MAKE SURE CABINET IS HUNG LEVEL.

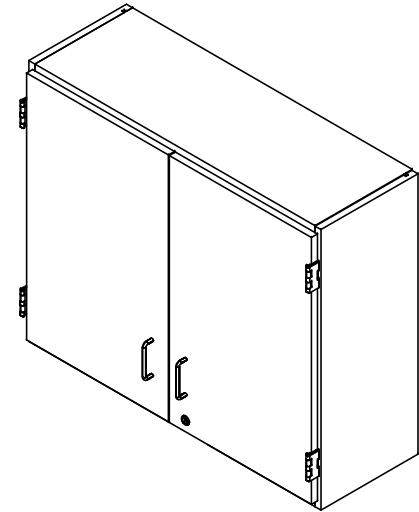


ADJUSTABLE SHELVES

DOORS REMOVED TO SHOW CLARITY

STEP 2:

INSERT SHELF CLIPS IN DESIRED LOCATION. PLACE SHELVES ON CLIPS, MAKING SURE THEY ARE LEVEL.



COMPLETE UNIT SHOWN

NOTE:

- 1.

DWN BY:	EMK	DWN DATE:	1/9/15
APR BY:		DATE APR:	
APR BY:		DATE APR:	

UNLESS OTHERWISE SPECIFIED DIMENSION ARE IN INCHES
 CABINET SQUARENESS ± .0625
 FRACTIONAL VALUES ± 1/32"
 - ALL VALUES ± OVERALL -



300 South Krueger Street
 Suring, WI 54174
 diversifiedwoodcrafts.com

TITLE:
**WALL CABINETS
 ASSEMBLY INSTRUCTIONS**

REV.	DESCRIPTION	DATE	NAME	ECH NO.
A	CREATED ASSEMBLY INSTRUCTIONS	1/9/15	EMK	-
REVISION LEVEL				

THIS DRAWING IS THE SOLE PROPERTY OF DIVERSIFIED WOOD CRAFTS. IT MAY NOT BE ALTERED OR CHANGED WITHOUT PERMISSION

DRAWING NUMBER:	SCALE:	SHEET:	REVISION:
WALL CABINETS	NTS	3 OF 3	REV A