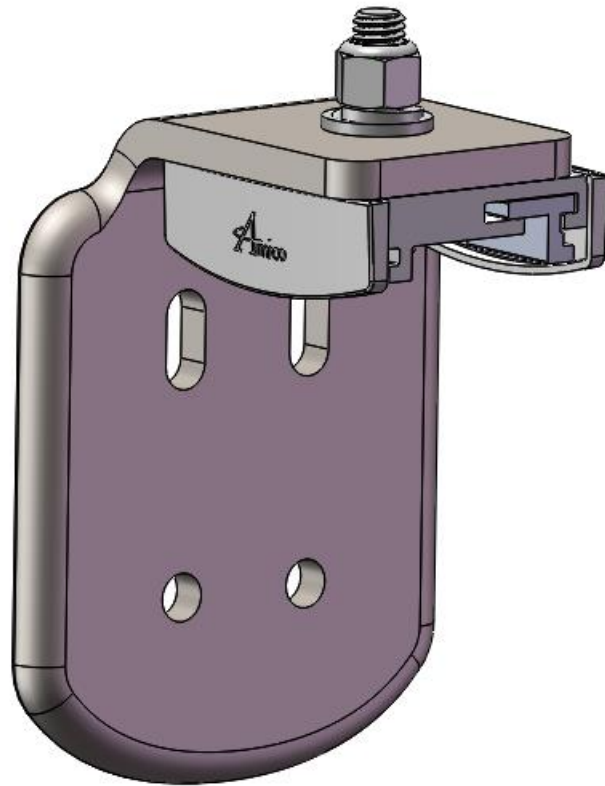


## Wall Bracket: Cut Sheet

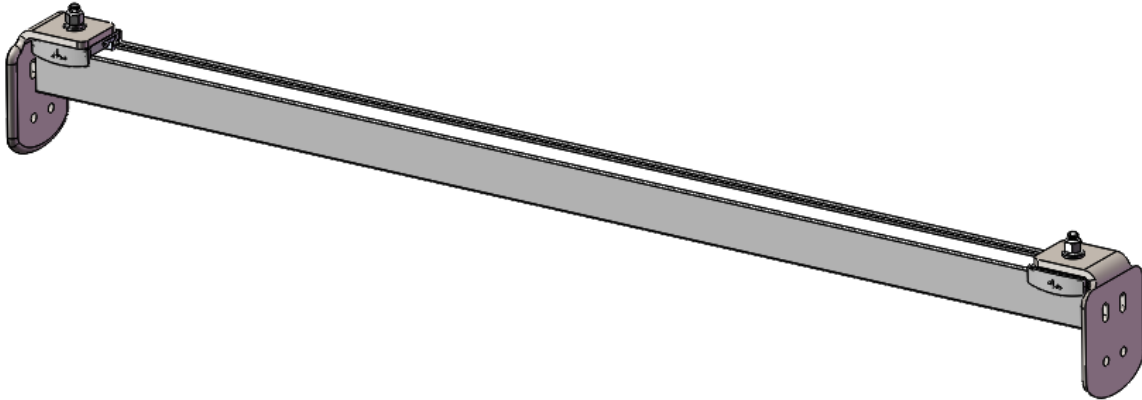




## Wall Bracket Specifications

---

The wall bracket provides a track mounting solution that does not involve ceiling drops. The wall brackets are mounted directly to walls (Studs) with one on either end of the tracks. Please follow the span chart for the maximum allowable span of the connecting mounted track.



The wall brackets can be used in almost any wall application with structural stud backing. The wall posts can be mounted to wooden studded walls, metal studded walls, and concrete walls. For further installation instructions, please refer to the GoLift installation manual. Only Amico certified installers may install this feature.

The wall posts are compatible with the single, double and triple tracks. However the joining track must be made of one piece and cannot support any features in the middle, unless additional ceiling support drops are added.

<b>Amico Ceiling &amp; Gantry Track Span</b>			
<b>Lift Capacity (lb)</b>	<b>Regular Track (in)</b>	<b>Double Track (in)</b>	<b>Triple Track (in)</b>
400	92	149	262
700	60	106	189
1000	44	93	166

**Dimensions**

