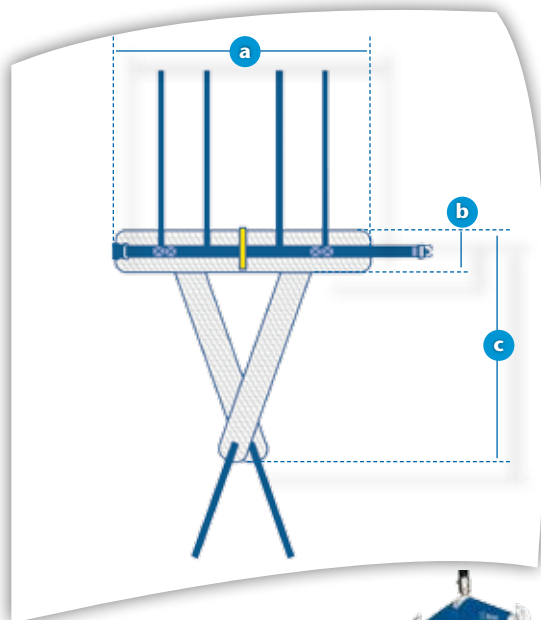


ErgoFit® Walking sling

The ErgoFit® Walking slings helps a person to reach a standing position for gait training, balance and to protect caregivers.

During walking exercises, it can provide complete or partial support. The person must have some weight bearing ability.



# Product	Description	Dimensions	
		in	cm
TEM-S	Walking Sling - Small	A	35 89
	Capacity	B	7 18
	45-100 lb / 20-45 kg / 3.15-7.14 st	C	30 76
TEM-M	Walking Sling - Medium	A	42 107
	Capacity	B	7 18
	100-200 lb / 45-90 kg / 7.14-14.29 st	C	36 91
TEM-L	Walking Sling - Large	A	49 124
	Capacity	B	7 18
	200-600 lb / 90-272 kg / 14.29-42.86 st	C	44 112

General Characteristics

- Guarantee against manufacturing defects: 1 year
- Maximum loading capacity: 272 kg / 600 lb
- Machine washable; easy to care for and clean.
- Mesh fabric of the sling is made of soft polyester.
- Ideal for rehabilitation exercises. The narrow and padded straps support the legs and enable the user to walk in complete safety and confidence since the user is fully supported.
- The adjustable waist band are suited for people with a large rib cage and allow adjustments according to their profile.

Technical Specifications

Conform to ISO 10535 & CE marking

*Conditionally to a normal use of an appropriate BHM Medical patient lift and maintenance in accordance with the labels.

