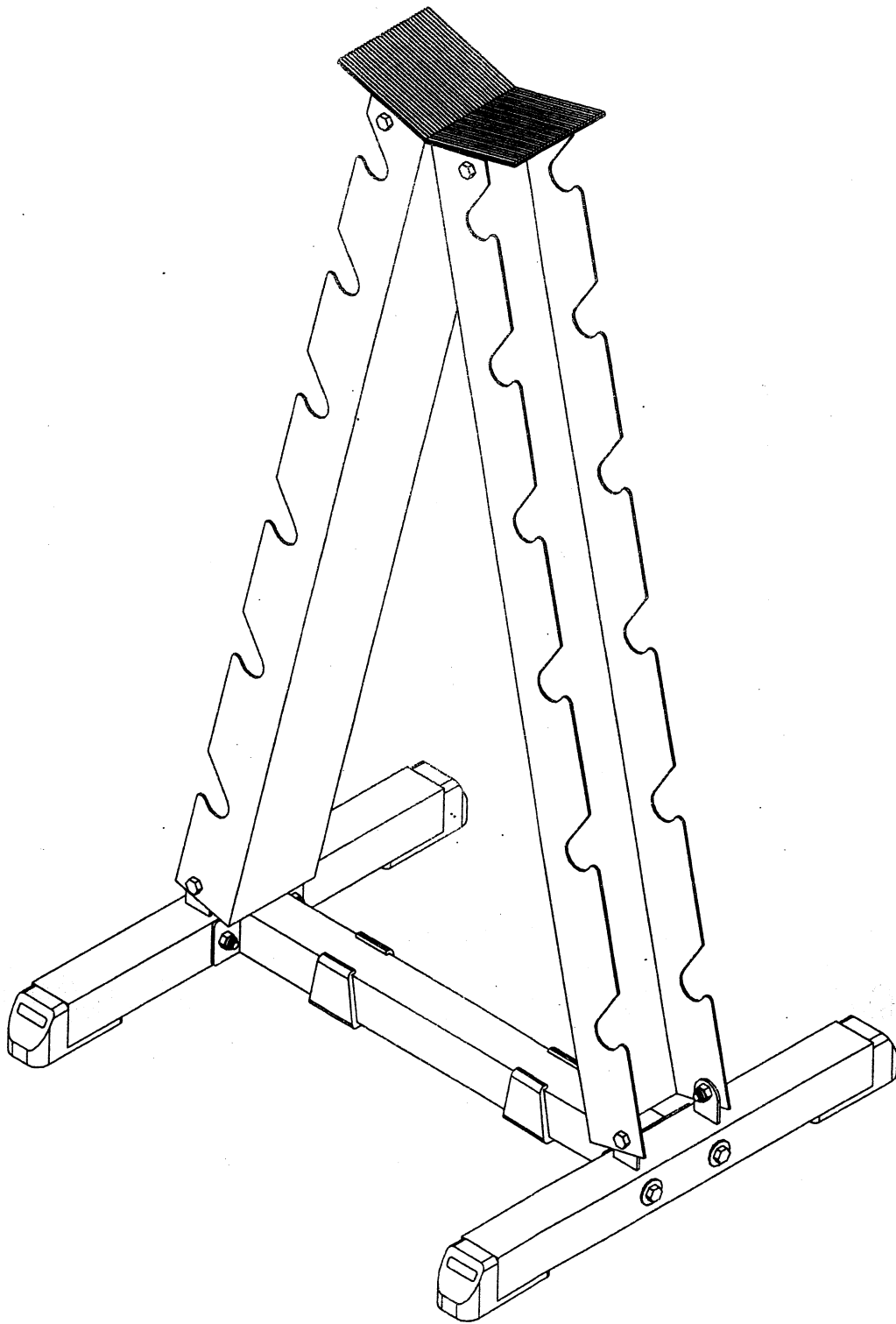


GDR-44



VERSION 0505

HARDWARE ILLUSTRATION SHEET

PARTS ILLUSTRATION SHEET

- Qty.
- A1. M10X70L Hex Head Bolt \_\_\_\_\_ [4PCS]
  - A2. M10X20L Hex Head Bolt \_\_\_\_\_ [8PCS]
  - B1. M10 Nylon Lock Nut \_\_\_\_\_ [12PCS]
  - C1. M10 (I.D) Washer \_\_\_\_\_ [4PCS]
  - D1. Foot Cap (9211-024) \_\_\_\_\_ [4PCS]
  - D2. 2"X2" RUBBER DOUNT (9212-010) \_\_\_\_\_ [2PCS]

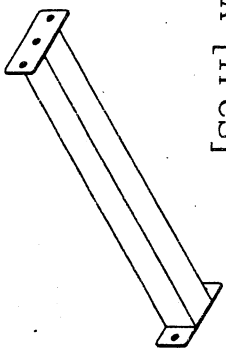
- A1.            A2.            B1.            C1.



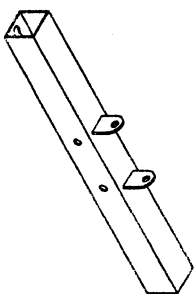
- D1.            D2.



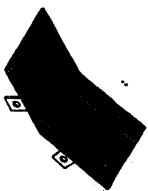
A [1PCS]



B [2PCS]



C [1PCS]



D [2PCS]

