

**VersaMax  
User Manual**

**Public Restroom  
Adult Changing Table  
R8594 (Manual Fold)  
R8595 (Electric Fold)**





Find more information about the VersaMax on our website.  
Click here or go to [www.max-ability.com/product/public-restroom-changing-table](http://www.max-ability.com/product/public-restroom-changing-table)

---

The guarantee covers faults or defects in material or manufacture within a period of 5 years. Products are subject to minor technical modifications and design deviations. E.&O.E.



# Content

Symbols used in this manual . . . . .	4
Specific safety . . . . .	4
General safety . . . . .	5
Product label . . . . .	6
Intended use . . . . .	8
Intended operator profile . . . . .	8
Intended user profile . . . . .	8
Operating environment . . . . .	8
Versions . . . . .	9
Accessories . . . . .	9
Operating instructions . . . . .	10
Folding down R8574/R8584/R8594 . . . . .	10
Height adjustment . . . . .	11
Folding down R8575/R8585/R8595 . . . . .	12
Height adjustment . . . . .	13
Optional control box . . . . .	13
The safety rail . . . . .	14
Cleaning . . . . .	15
Disinfection . . . . .	15
Maintenance . . . . .	16
Service inspection . . . . .	16
Service kit . . . . .	18
Trouble-shooting . . . . .	19
Dimensions, mm . . . . .	20
Dimensions, inch . . . . .	20
Technical data . . . . .	21
Disposal and recycling . . . . .	22

## Mounting instruction



A mounting instruction is included with the product. It can also be downloaded from [www.max-ability.com](http://www.max-ability.com)

## Operational signage



An operational signage is included with this product. It can also be downloaded from [www.max-ability.com](http://www.max-ability.com)

## Symbols used in this manual

The following symbols are used in this manual as well as the associated documentation supplied with the product.



**WARNING** indicates a potentially hazardous situation which, if not avoided, could result in death or serious injury.



**CAUTION** indicates a potentially hazardous situation which, if not avoided, may result in minor or moderate injury. It may also be used to alert against unsafe practices.



**IMPORTANT** indicates important information about handling and use of the product.



**NOTICE** is used to address practices not related to personal safety.



Hand injury  
warning



Electricity or potentially  
dangerous voltage



Other specific warning

## Specific safety



- Never leave a person lying on the changing table without supervision.
- Always be careful when moving a person to and from the table.

## General safety

### **WARNING**

- Read and understand the manual completely before use. Keep the manual close to the unit.
- Comply with this manual to avoid accidents involving serious personal injury.
- Never use or handle this product in other ways than are specified in this manual, as this can put your safety at risk and cause damage to the product.
- Make sure that everyone who is to install or use the product and its systems has the necessary information and access to this manual.

### **CAUTION**

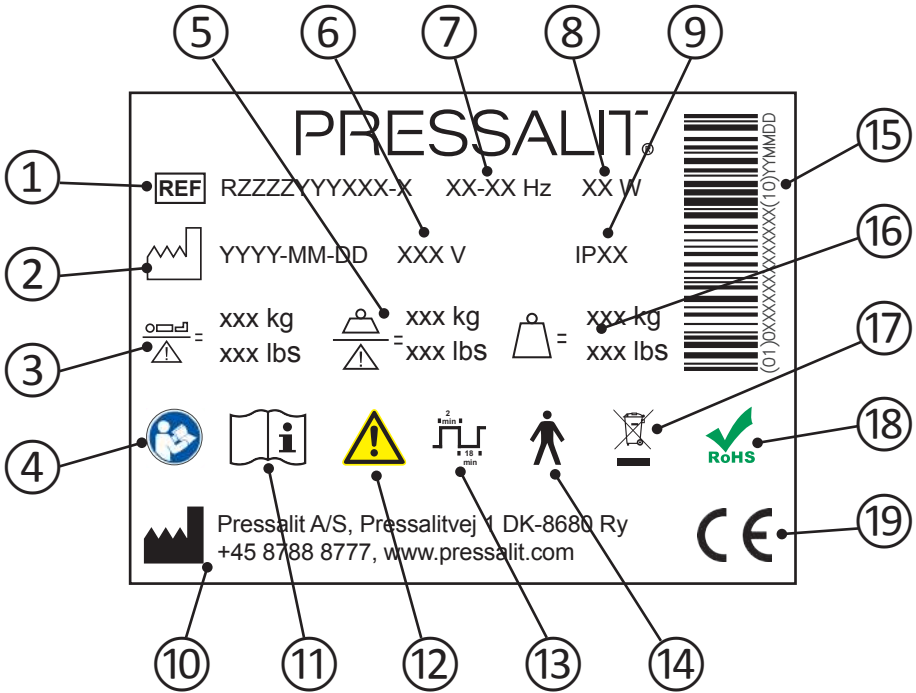
- Please comply with these instructions to avoid the product becoming damaged or destroyed.
- Never allow children to operate this product unless under supervision. The product is not intended for play.
- Never use the product if it is defective or damaged. Do not use a defective product before it has been repaired.

For any questions or problems, please contact us at  
800 577-1555 or [www.max-ability.com](http://www.max-ability.com).

### **NOTICE**

- The information in this manual is based on correct fitting of the product in accordance with our Assembly instruction.
- Pressalit cannot be held liable if the product is used in any way which differs from that described in the guide.
- We reserve the right to amend this manual without prior notice.

# Product label



① Article number

② Production date

③ Maximum user weight

④ Consult manual for use

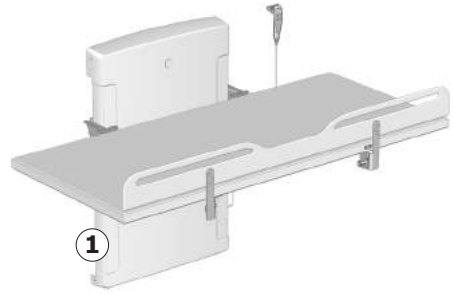
⑤ Safe working load

⑥ Mains voltage

⑦ Frequency

- 
- ⑧ Maximum power consumption
- 
- ⑨ IP class
- 
- ⑩ Name and address of manufacturer
- 
- ⑪ Consult manual for use
- 
- ⑫ Consult the manual for important cautionary information such as warnings and precautions.
- 
- ⑬ Duty cycle. The motor on height-adjustable products can be used for a maximum of 2 minutes of continuous operation, followed by 18 minutes pause.
- 
- ⑭ Type B applied part Part of the product in normal use necessarily comes into physical contact with the patient to perform its function The product complies with requirements of IEC 60601-1 to provide protection against electric shock.
- 
- ⑮ GS1-128 barcode
- 
- ⑯ Product weight
- 
- ⑰ Do not dispose as unsorted municipal waste. The product should be collected separately and returned to the designated recycling service.
- 
- ⑱ This product does not contain any of the hazardous substances mentioned in the Council Directive 2011/65/EC on RoHS.
- 
- ⑲ This product is CE-marked in accordance with the European Medical Device Directive 93/42/EEC, including amendments incorporated in Directive 2007/47/EEC. It also complies with all relevant requirements in the Council Directive 2006/42/EC (of 17 May 2006) on machinery and with Council Directive 2011/65/EC (of 8 June 2011) on RoHS. A declaration of conformity can be found at [www.pressaliticare.com](http://www.pressaliticare.com).

The product label ① is placed on the wall mount.



## Intended use

This product is intended for people who

- need to get changed on a changing table
- are above the usual changing table age
- are caregivers and need a customized work position
- need to use a changing table in combination with person lifts

## Intended operator profile

The product is to be used by personnel trained in health care.

## Intended user profile

The product can be used by adults whose weight does not exceed the **maximum load of 200 kg / 440 lbs.**

## Operating environment

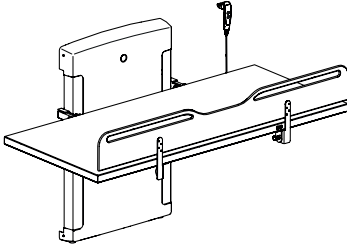
For indoor use, such as a bathroom or wash room. The product is intended to be used at room temperature, in private homes, nursing homes and hospitals under normal working conditions.

# NOTICE

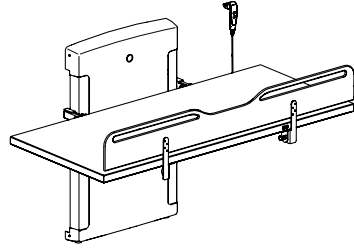
Salt and chloride have a corrosive effect on the products components and will cause a decrease in the life expectancy of the product. The damaging effects can, however, be reduced if the product is showered with tap water on a daily basis.




## Versions



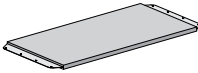

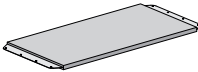

R8594



R8595

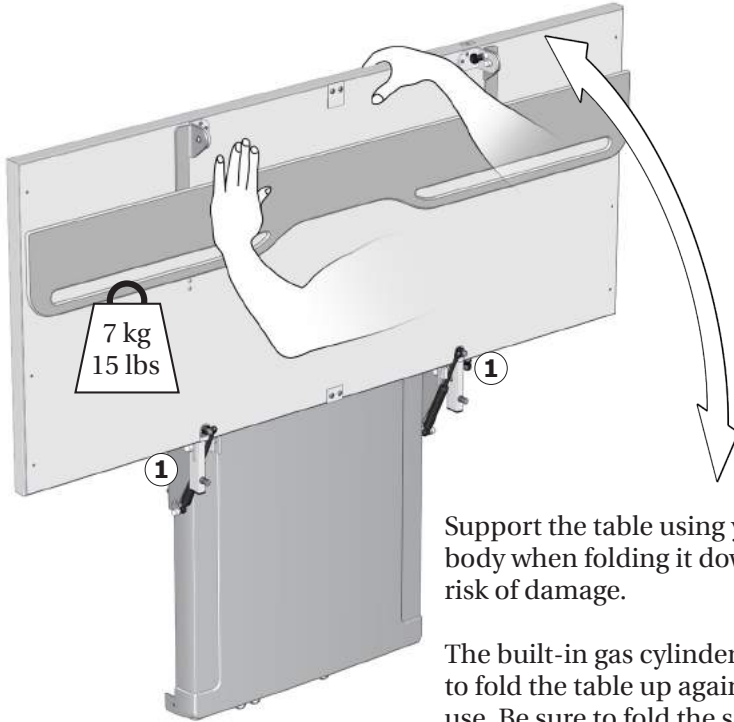
Version	Power plug type
R8594572 (US) R8595572 (US) 120V	

## Accessories

<b>R8594</b>	<b>R8487: Mattress</b> 	<b>R8485: Safety hook</b> 
<b>R8595</b>	<b>R8487: Mattress</b> 	<b>R8489: Control box</b> 

# Operating instructions

## Folding the table -- R8594 (Manual Fold)



Support the table using your hand or body when folding it down, to avoid the risk of damage.

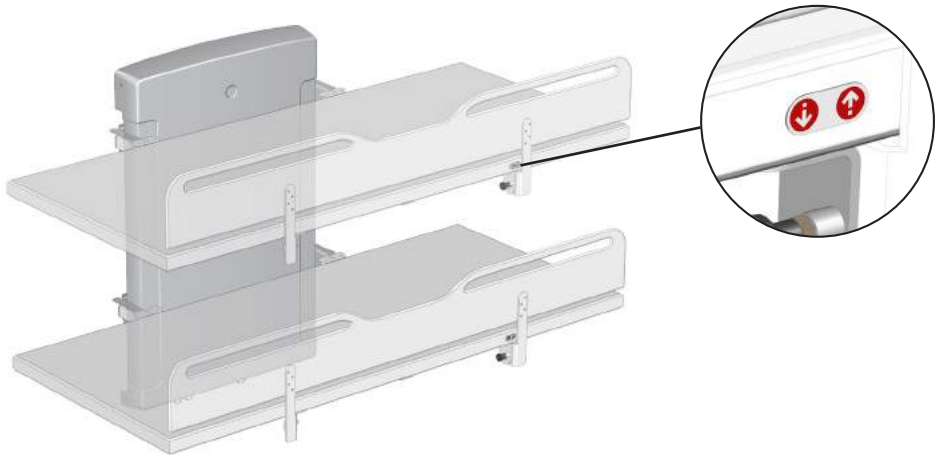
The built-in gas cylinders make it easy to fold the table up against the wall after use. Be sure to fold the safety rail away first.

	<p><b>Take care to avoid injury to hands when in the vicinity of closing mechanical parts ①.</b></p>
--	--

## Height adjustment

When the changing able is installed at the correct height, it can be adjusted between 300 and 1000 mm (11.81 and 39.37 inches) above the floor.

The height adjustment is done by pressing the buttons on the frame.



Press and hold the Up button to raise the bench, and press and hold the Down button to lower the bench.

The movement stops when the button is released.

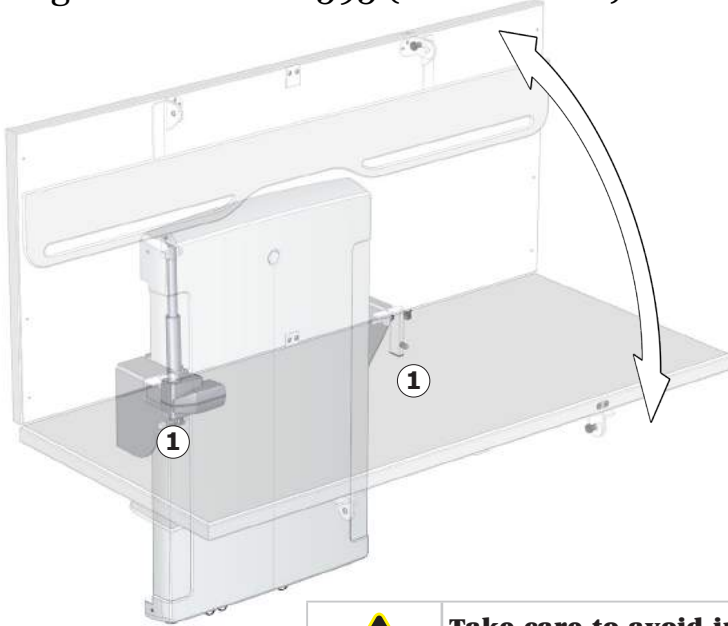


The height adjustment can also be controlled by the wired remote control unit.



**Make sure that there are no objects under the changing table when adjusting the height.**

## Folding the table -- R8595 (Electric Fold)



**Take care to avoid injury to hands when in the vicinity of closing mechanical parts ①.**

The table folds up and down electrically

On the wired remote control for this model, there are two additional buttons that control the fold-up function.

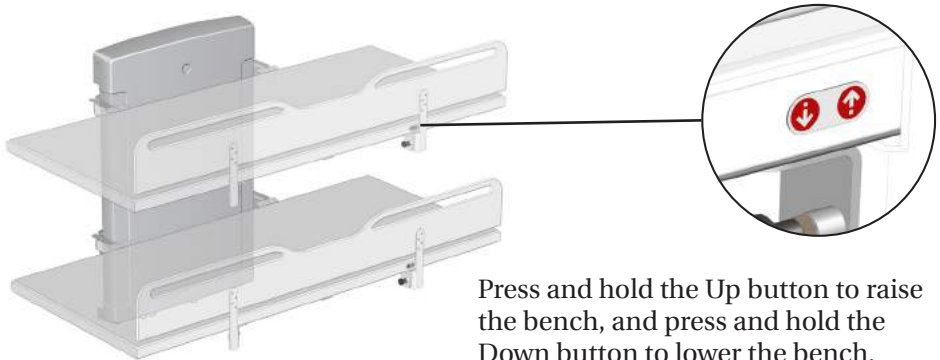


Press and hold the fold up button ② to fold the table up, and press and hold the fold down button ③ to fold the table down. The movement stops when the button is released.

## Height adjustment

When the changing table is installed at the recommended height, it can be adjusted between 300 and 1000 mm (11.81 and 39.37 inches) above the floor.

The height adjustment is done by pressing the buttons on the frame.



Press and hold the Up button to raise the bench, and press and hold the Down button to lower the bench. The movement stops when the button is released.



The height adjustment can also be controlled by the wired remote control unit.



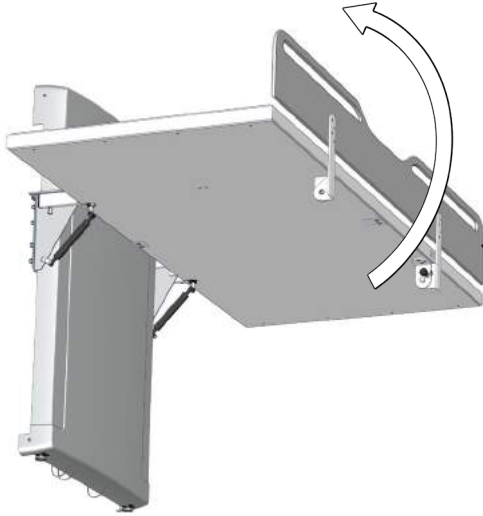
**Make sure that there are no objects under the changing table when adjusting the height.**

## Optional control box

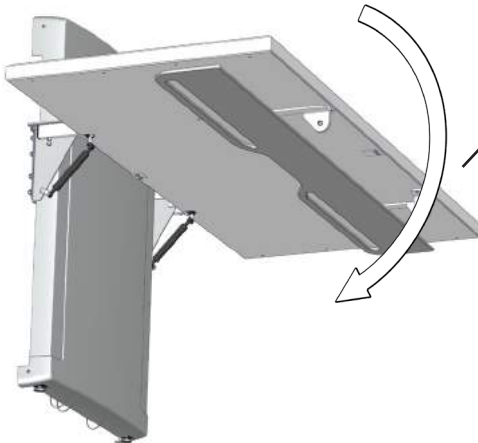
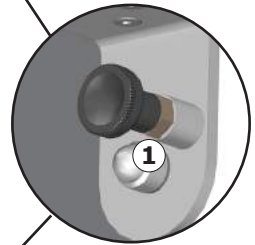


The height adjustment and the fold-up function can also be controlled by the optional wall-mounted control box.

## The safety rail



**To pull the safety rail up:** Release the lock ① and pull the safety rail from the underside of the table, and swing it upwards. The safety rail will automatically lock into position.



**To fold the safety rail away:** Release the lock ① and swing the safety rail down to the underside of the table. The safety rail will automatically lock into position.

## Cleaning

Clean the changing table after each use. Use ordinary soapy water. Rinse off with fresh water and dry with a soft cloth.

### **IMPORTANT**

- Do not use an autoclave or other type of steam cleaner.
- Avoid aggressive cleaning agents containing acids or chloride.
- Never spray the table directly with a high pressure cleaner.
- Avoid use of aggressive, abrasive, corrosive or chloride-based cleaning or disinfecting products.

## Disinfection

When using the changing table for multiple patients, it is necessary to both clean and disinfect it between uses on different patients to prevent the risk of cross infection.

A list of suitable cleaning agents and disinfectants can be found at [www.pressalincare.com](http://www.pressalincare.com)

### **CAUTION**

Always read the material safety data sheet (MSDS) and supplied instructions of the cleaning, disinfecting or de-scaling agent and comply with instructions for safe use, dilution, rinsing, drying, handling and storage of the agent.

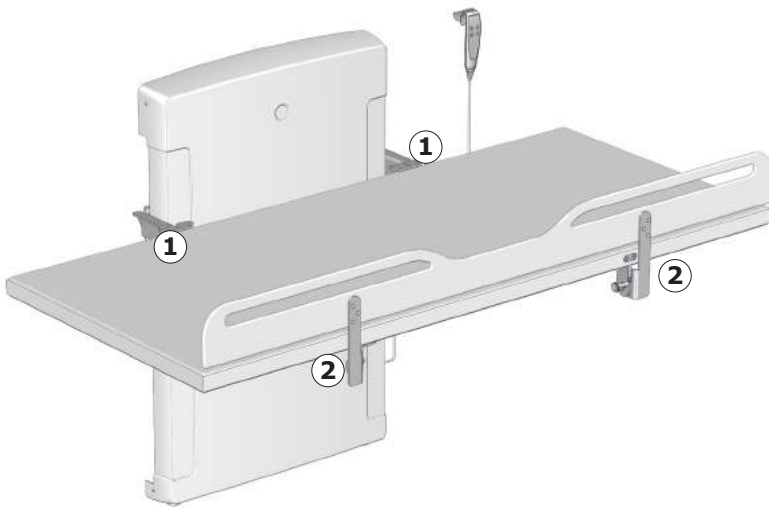
## Maintenance

Expected service life of the changing table is 10 years, provided that maintenance is carried out as described below:

It is recommended on a weekly basis to run the motors on the product to their maximum positions by raising the bench to its full height, and then lowering it to its lowest position, so that the internal parts are lubricated.

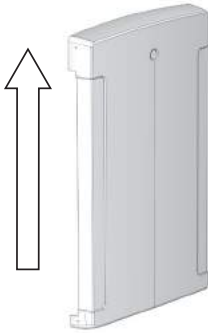
It is recommended that service inspection is done once a year.

## Service inspection



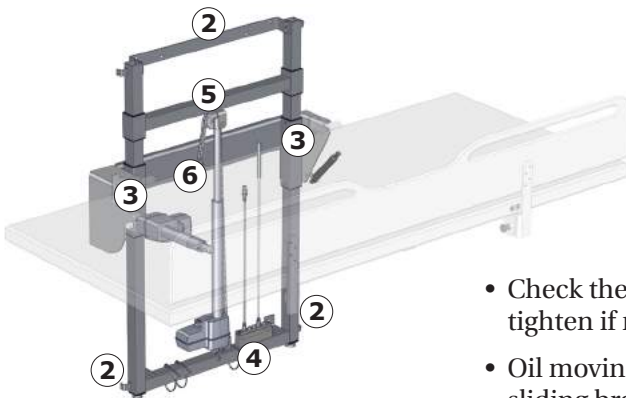
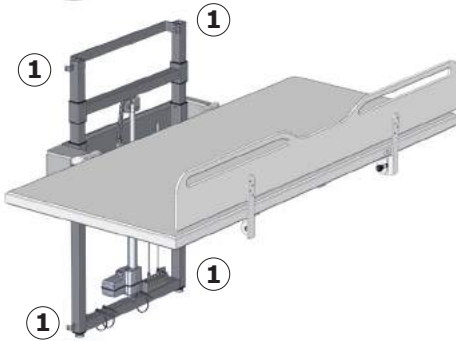
Check the hinges ① on the bench and the safety rail ② . Tighten if necessary.





**Disconnect mains before removing the covers.**

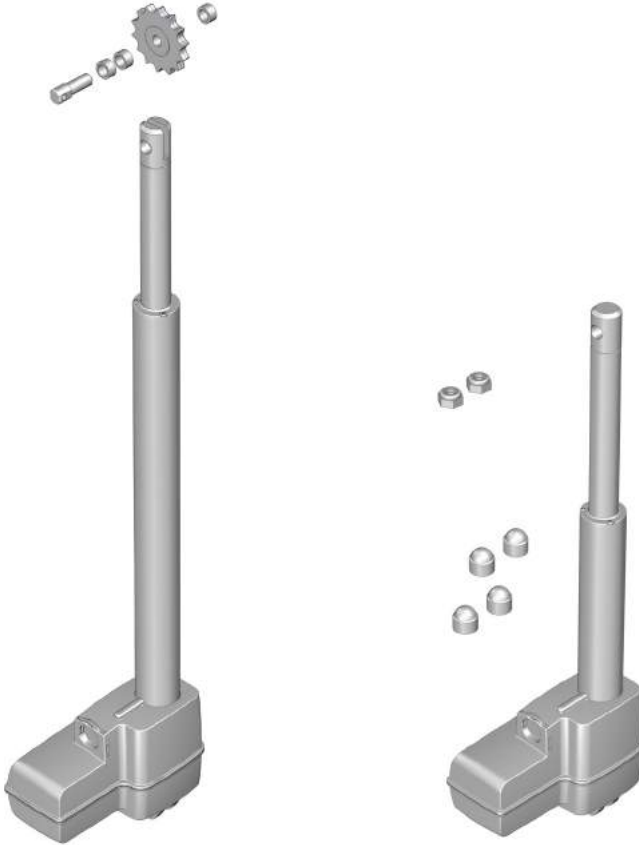
Remove the upper and lower retaining screws ① on the lift unit cover and carefully remove the cover.



- Check the wall brackets ② and tighten if necessary.
- Oil moving parts, especially the sliding brackets ③.
- Check all electrical connections to the control box ④.
- Check the chain wheel ⑤ for wear.
- Oil the chain ⑥.
- Put the unit cover back again and tighten the retaining screws.

## Service kit

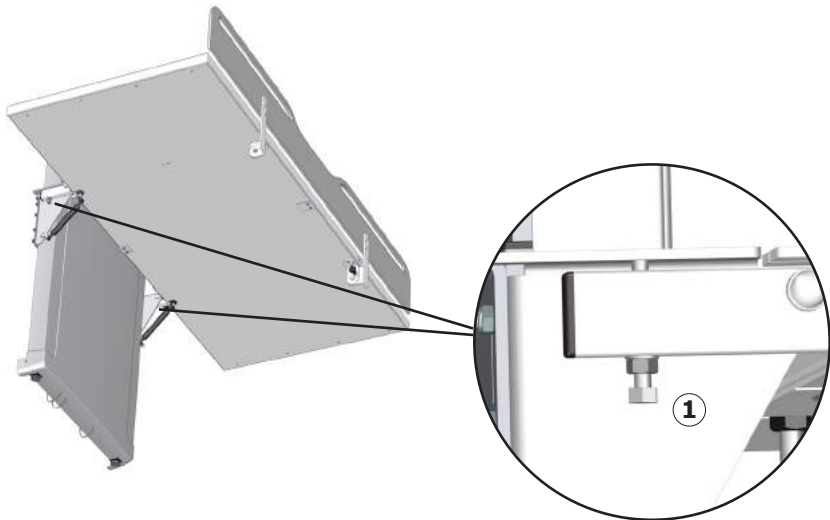
Expected service life of the nursing bench is 10 years for institutional use. However it must be expected that some of the internal wear and tear parts must be replaced after approximately 3 years.



The service kits T5256 and T5268 with the replacement parts must be purchased at Pressalit A/S or your local dealer.

## Trouble-shooting

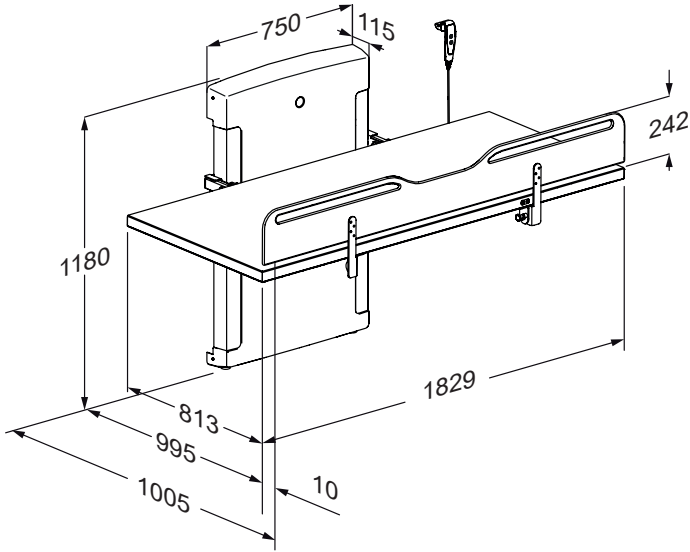
Symptom	Cause	Action
The changing table does not stay in upright position.	One or more gas cylinders are defective.	Contact MAX-Ability at 800 577-1555 or info@max-ability.com
The product will not work, even though the remote control is used correctly.	Fault in power supply.	Check that all wires and plugs are intact and correctly connected.  Contact MAX-Ability.
The changing table runs up and down unevenly.	The sliding brackets are not properly lubricated.	Oil the sliding brackets as described under "Maintenance"
The table top is not level.	Adjustment screws too high or too low.	Adjust the adjustment screws ①.



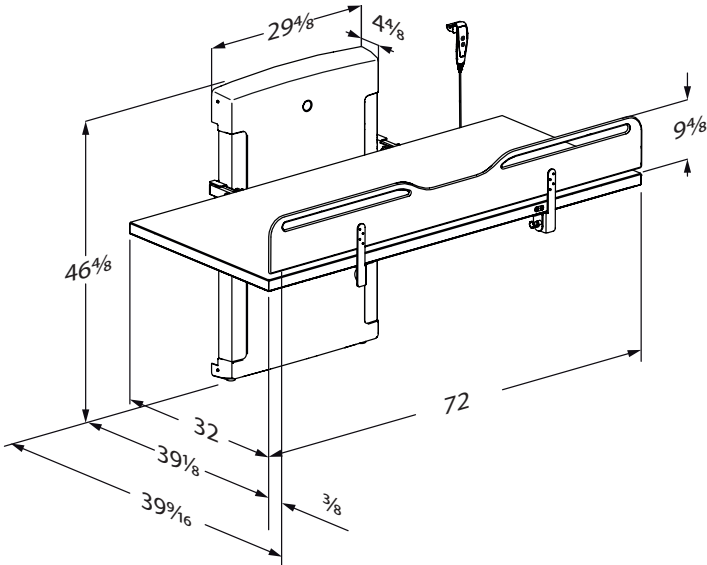
Verify your purchase details before carrying out repairs so you don't void your warranty: We guarantee all product components against manufacturing defects for five years, and parts repair/labor for one year, from the invoice date. In most instances the affected parts are replaced, not repaired.

Parts damaged due to improper product assembly, installation, or procedure; lack of recommended maintenance including cleaning; or lost after delivery cannot be included in this warranty.

**Dimensions, mm**



**Dimensions, inch**



## Technical data

Max load	200kg / 440 lbs	
Materials	Powder laquered stainless steel Plastics (PVC, Polystyrene)	
Weight	R8594	75 kg
	R8595	85 kg
IP class	The electrical parts have an ingress protection class rating of IPX6. The product may not be immersed in water, but is designed to withstand powerful jets (12.5 mm nozzle) of water from any direction.	
<b>Power specifications</b>		
Max consumption	70 W	
Voltage	120 V	
Frequency	50/60 Hz	
Current	3.7 A	

## Disposal and recycling

The unit contains reusable materials. There are no known hazards or risks associated with disposal of the product. All components can be discarded after having been cleaned and disinfected.

When disposing of the product, we recommend that it be disassembled and broken down into different waste groups for recycling or combustion.

The following table provides information on the recycling and handling of the product.

<b>Recyclable components</b>	<b>Material</b>
Steel	Steel can be recycled by being re-melted and included as a secondary material in the production of new steel.
Plastics	Use plastic sorting and recycling systems where they are locally available, otherwise incinerating plastic has the added benefit of generating energy, which can be used for, for example, combined heat and power production.
Electronics	The electronic components should be collected separately and returned to the designated recycling service.