



**ZITZI™**  
**STARFISH PRO**

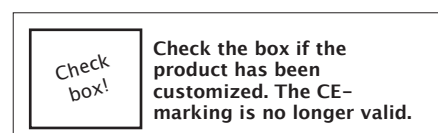


# User manual

## Zitzi Starfish Pro

# Table of content

<b>Safety precautions</b>	<b>3</b>	Fixed footrest mounting	18
		Flexible footrest adapter	19
<b>Chassi</b>	<b>4</b>	Turn up footrest mounting	19
Manual chassi	4	Swivel adapter	19
Height adjustable chassi	4		
<b>Wheels</b>	<b>5</b>	<b>Calf support</b>	<b>20</b>
		Mounting of calf support	20
		Height adjustment of the calf support	20
		Width adjustment of the calf support	20
<b>Seat part</b>	<b>6</b>	<b>Pot</b>	<b>21</b>
Adjustment of the seat part	6		
Adjustment of the seat depth/abduction	6	<b>Urine protection</b>	<b>22</b>
<b>Abduction/adduction support</b>	<b>7</b>	<b>Service and maintenance</b>	<b>23</b>
Assembly	7	Service	23
Adjustment	7	Cleaning	23
		Warranty	23
		Combinations	23
<b>Hipbelt</b>	<b>8</b>	Spare parts	23
Assembly	8	Reconditioning	23
Adjustment	8	Marking	23
		Recycling	23
<b>Back</b>	<b>9</b>	<b>Summary and follow-ups</b>	<b>24</b>
		Follow-up inspections	24
<b>Hip angle</b>	<b>10</b>	<b>Adaptation and customization</b>	<b>25</b>
		Guidelines and recommendations	25
<b>Tilt of the seat unit</b>	<b>11</b>	<b>Terms of sale</b>	<b>26</b>
		Warranty	26
<b>Hip support</b>	<b>12</b>	Warranty claims	26
		Returning products	26
<b>Armrest</b>	<b>13</b>	<b>Technical data</b>	<b>27</b>
<b>Armrest, chassi</b>	<b>14</b>		
<b>Driving handle</b>	<b>15</b>		
<b>Headrest</b>	<b>16</b>		
Mounting/Adjustment of the headrest	16		
<b>Support mounting</b>	<b>17</b>		
Mounting/Adjustment of the harnesses	17		
<b>Footrest</b>	<b>18</b>		
Mounting of the footrest	18		
Angle adjustment of the knee	18		



# Safety precautions

## Introduction

To be able to use all advantages of the Zitzi Starfish Pro, it is important that you read through this manual thoroughly. This applies to all persons who are in the vicinity of the user. The product is designed for users with seating problems and fits many different types of diagnoses. Adjustment of the Zitzi Starfish Pro should always be performed by medically qualified person.

If you need additional information, please contact Anatomic SITT AB.

## Field of application

The product is intended to use as a seating system together with the chassis produced by Anatomic SITT AB. If the desire for another use exists, please contact Anatomic SITT AB.

## Correspondence

Zitzi Starfish Pro and its accessories are a CE marked product. A unique serial number is located on a label placed on the frame. This serial number should be quoted in any correspondence regarding the product.

## This product is manufactured by Anatomic SITT AB

**Postal address** Anatomic SITT AB, Box 6137, SE-600 06 Norrköping

**Street address** Anatomic SITT AB, Terminalgatan 1, SE-603 61 Norrköping

**Telephone** +4611-161800

**Fax** +4611-162005

**Email** [info@anatomicsitt.com](mailto:info@anatomicsitt.com)

**Web** [anatomicsitt.com](http://anatomicsitt.com), [youtube.com/anatomicsitt](https://www.youtube.com/anatomicsitt)

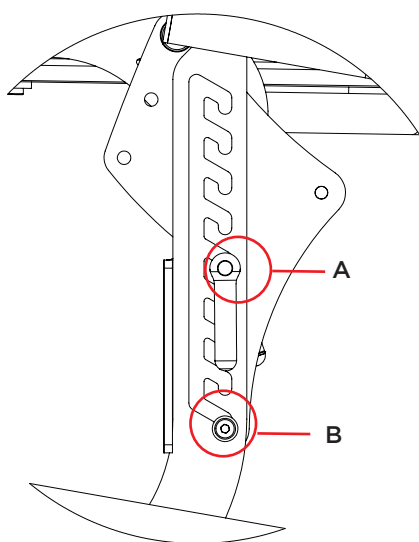
# Chassi

## Manual chassi

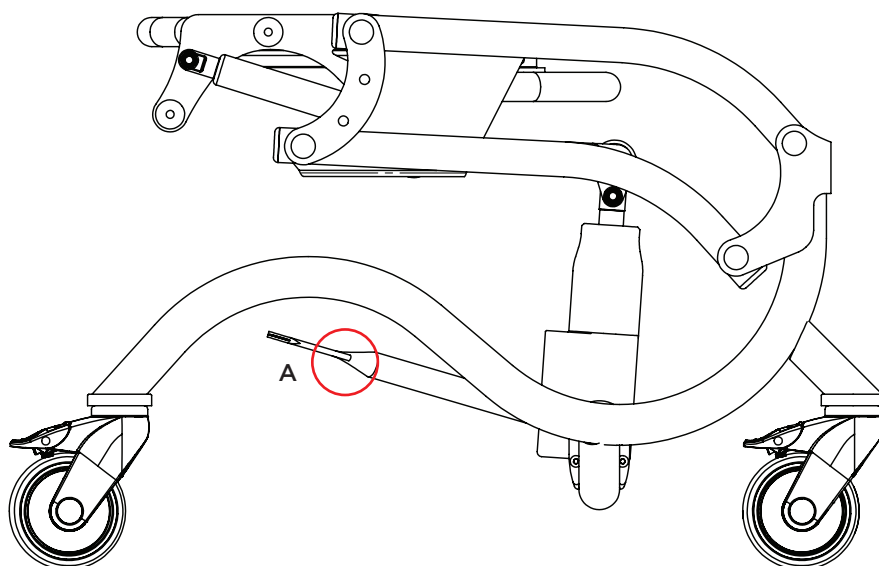
The seat unit can be adjusted to the desired height before the patient is in the seat. Release the lever (A) on both sides (position (B) is not fully tightened, but helps to control the cradle in the tracks). Lift the seat out of the tracks and slide the seat to the desired height. Be sure to push down the seat firmly in the slots. Finish by tightening the lever (A) firmly.

## Height adjustable chassi

The seatpart is height adjustable to reach any desired height. You adjust the height by stepping on the pump handle. Make shore that you step on the pump handle with smooth movements so that the adjustment is comfortable for the user. To lower the chassi place the foot underneath the pump handle and push it up.



Manual chassi

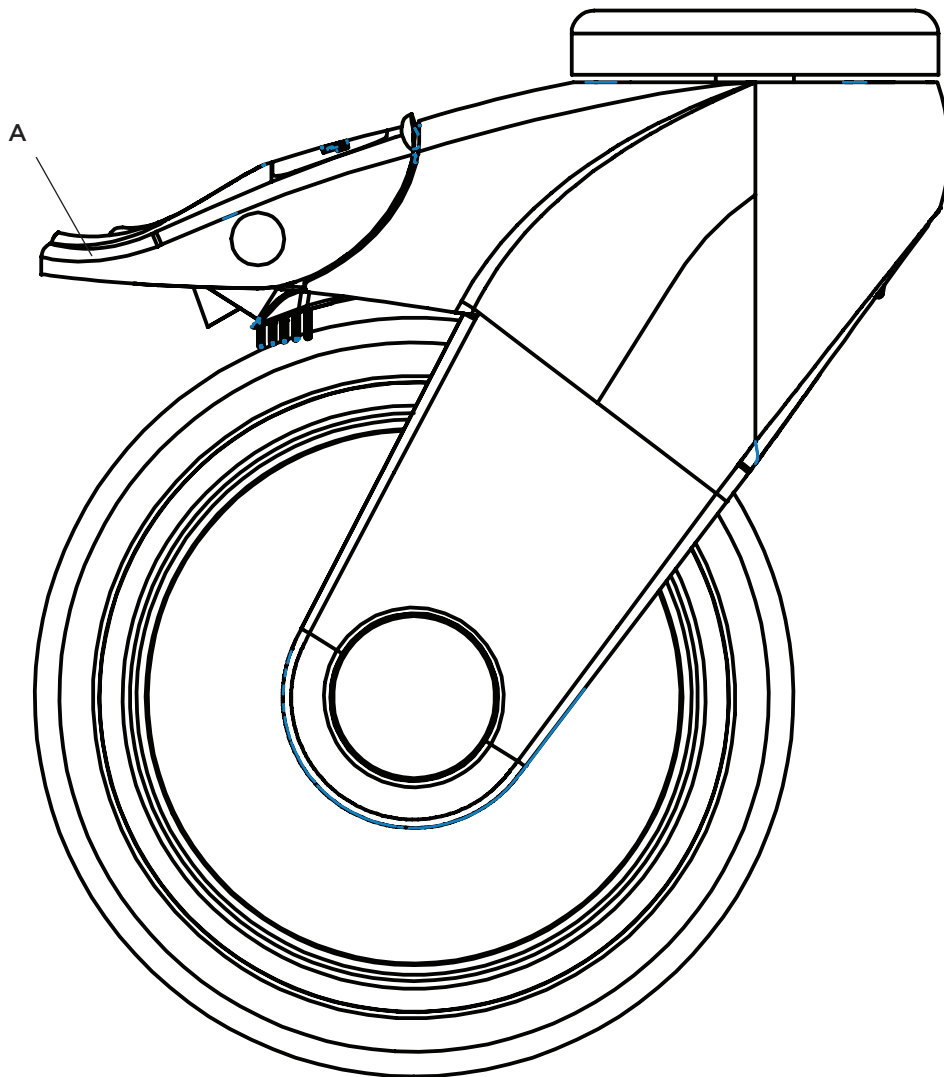


Height adjustable chassi

# Wheels

## To lock the wheels

Push down the brake handle (A) with Your foot to lock the wheel.  
(See picture.) Pull up the brake handle to release the brake.



# Seat part


## Adjustment of the seatpart

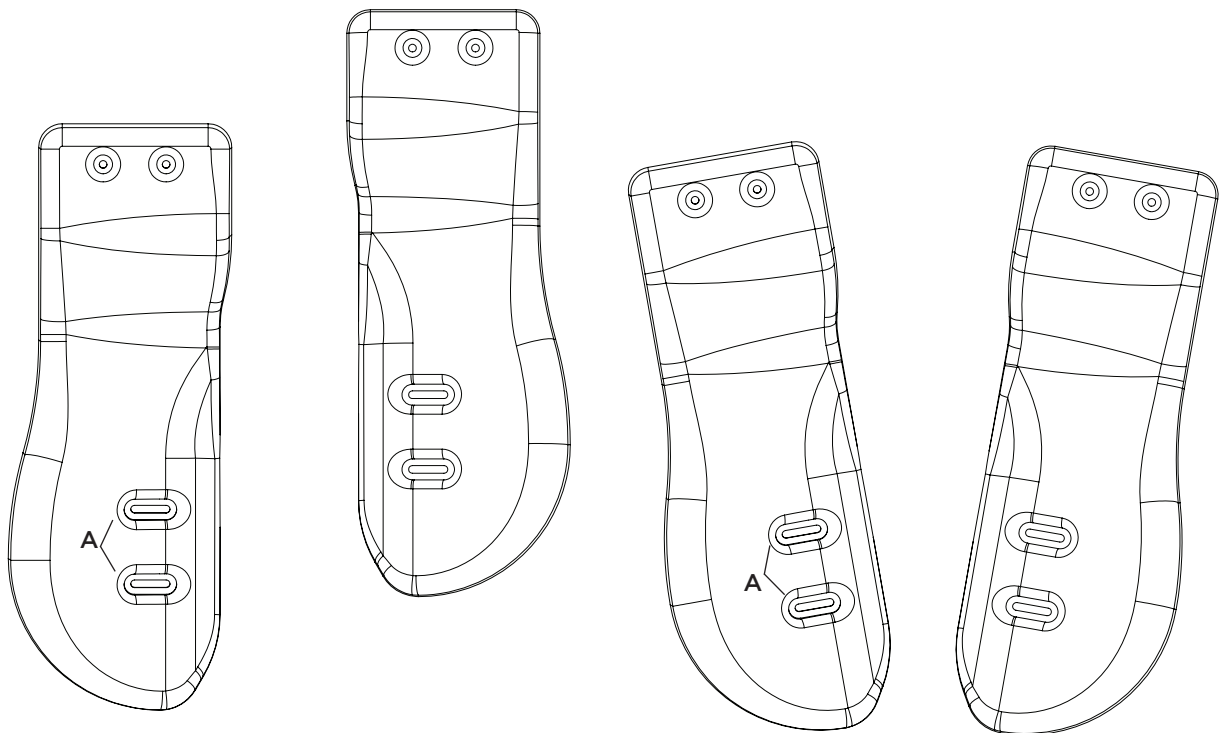
Seat depth, leg length different and abduction/adduction of the legs is easy to adjust.  
Take away the cover to access the screws.

## Adjustment of the seat depth/ abduction

Release the screws (A) then the seat parts can be adjusted by hand.

Adjust the seat part. Lock the screws firmly when you are done with the adjustment.

 **Attention! Be careful not to adjust the screws all the way out!**



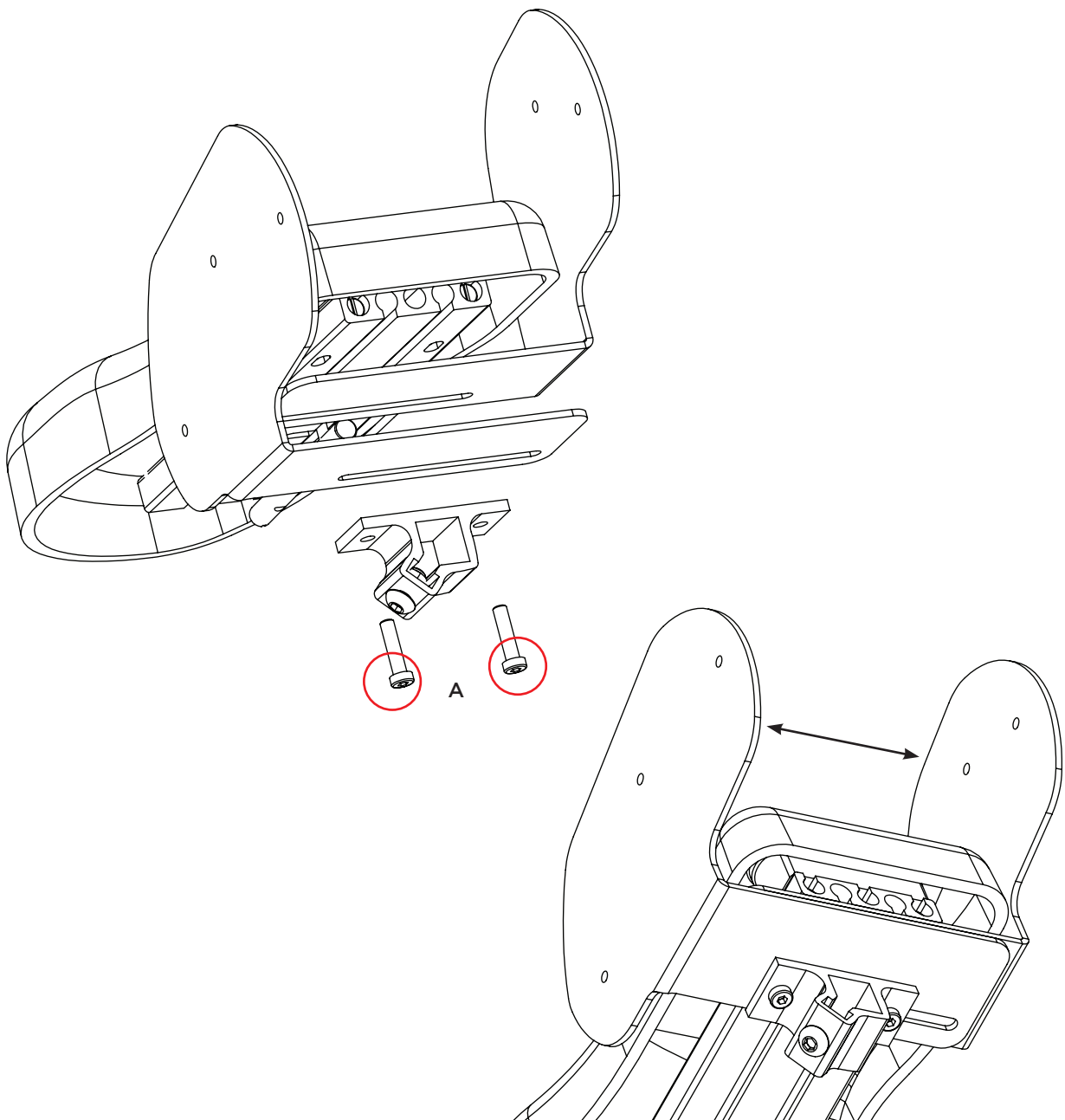
# Abduction/Adduction support

## Assembly

Release the screws (A) and mount the supports so that You see the holes through the lines on the support. Mount the screws through the lines in to the holes.

## Adjustment

Release a little bit on the screws (A) so that You are able to slide the support sideways. Adjust the support to desired location and then fix the screws firmly.



# Hipbelt

## Assembly

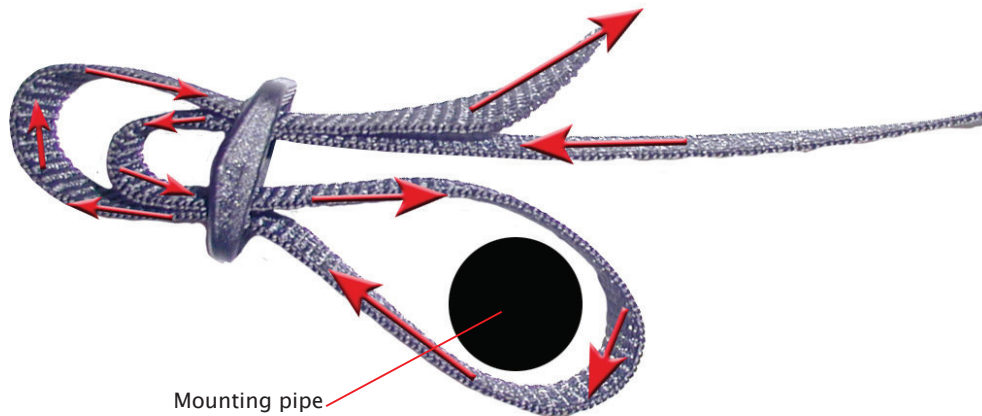
Mount the straps in each loop.

## Adjustment

Pull the belt on both sides of the buckle to get the buckle centered.

Adjust the pads to give the best pressure release.

If the straps is too long, cut the straps you don't need and burn the end.



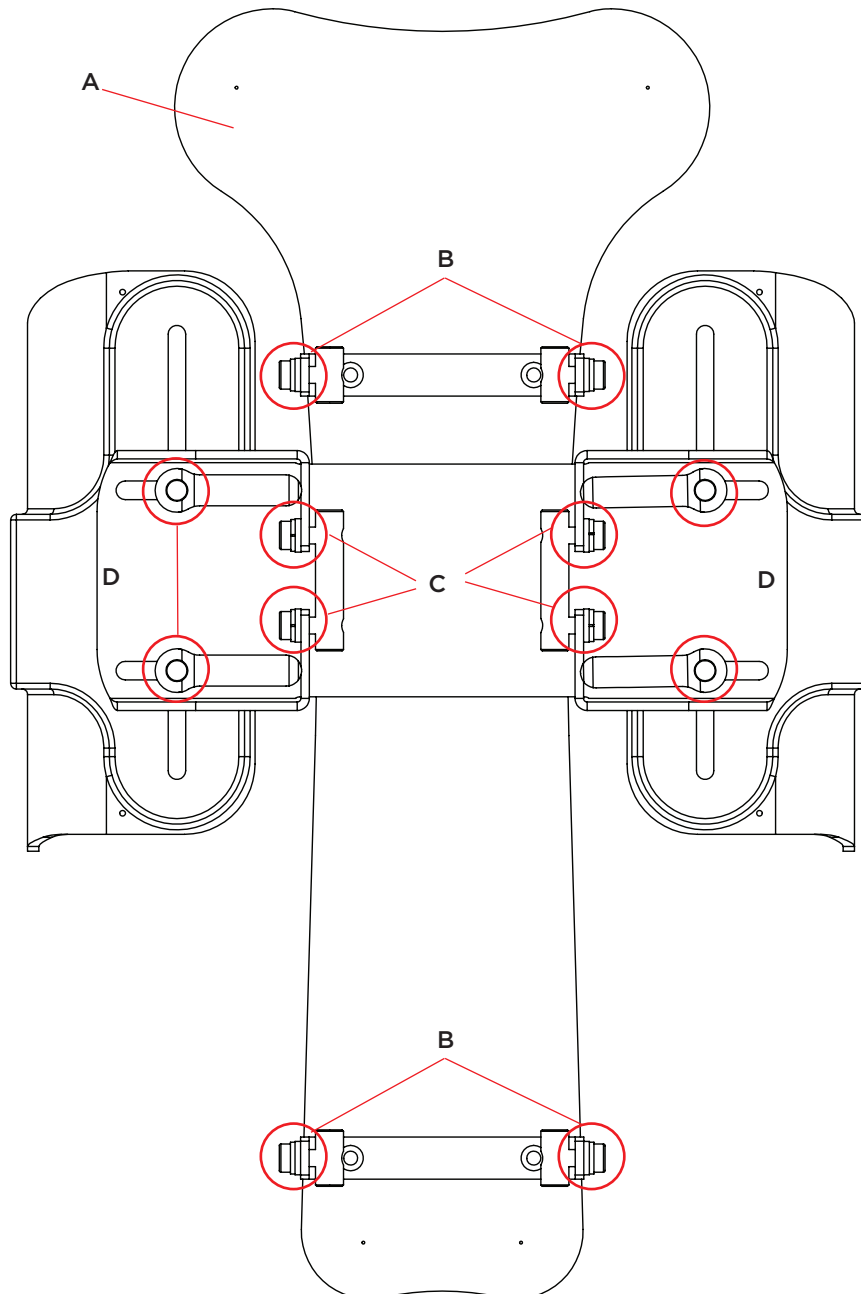


# Back

To adjust the back part (A), release the four screws (B) that attach the back part to the profile. Adjust the back part to desired height and fix the screws (B) firmly.

Roughly adjust the height of the trunk support by releasing the four screws (C) that attach into the profile. Attach to desired height and fix the screws firmly (C).

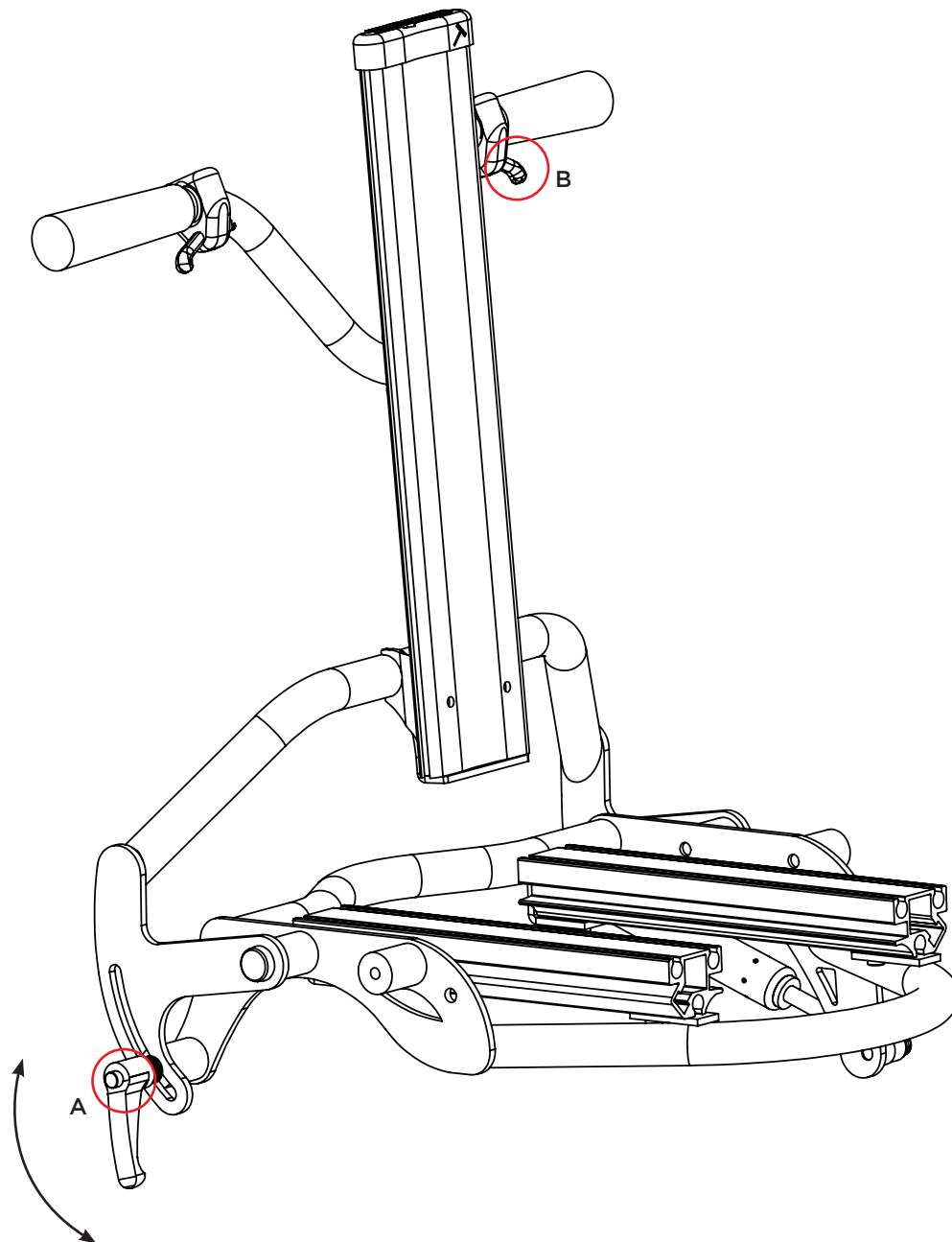
The trunk support can now be tweaked through releasing the lever knobs (D). Adjust the trunk supports to your desired position and then fix the lever knobs firmly (D).



# Hip angle

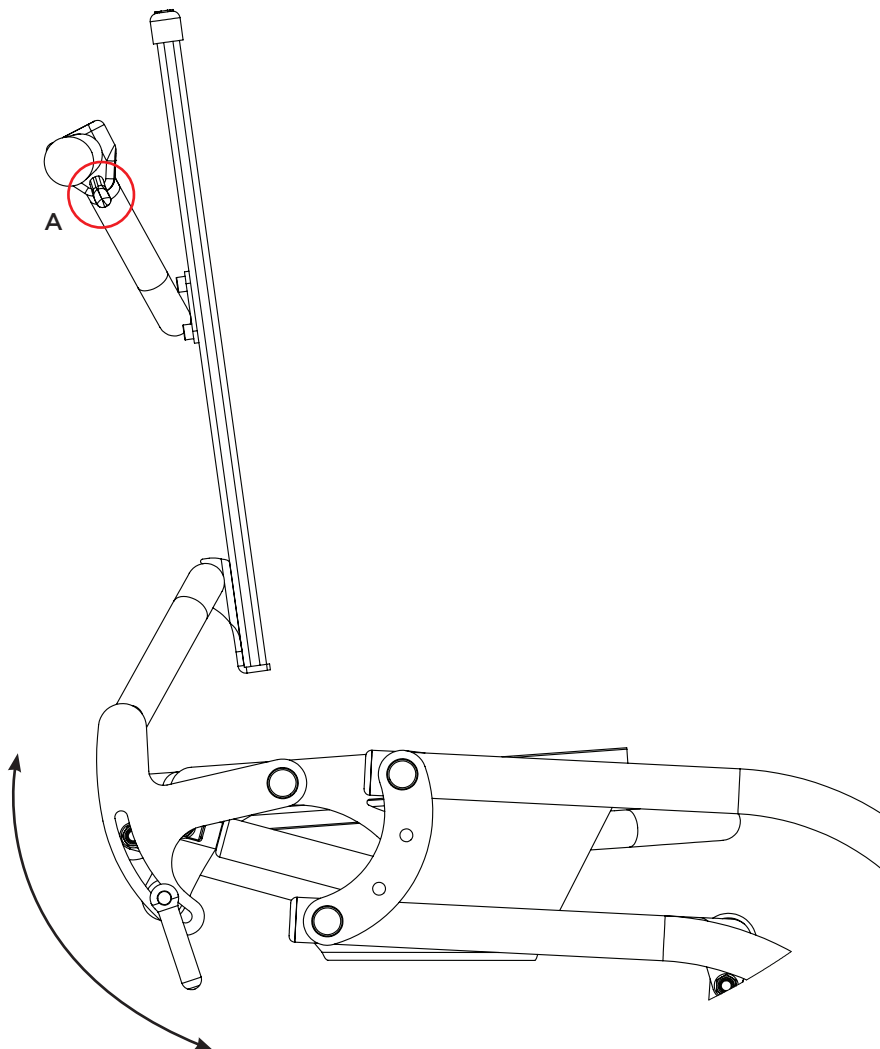
When the hip angle shall be adjusted: Start with releasing the security knob (A). Make shore to have a secure grip of the driving handle at the same time push the trigger to the gas spring (B).

Adjust the back to the desired angle and release the trigger (B). Fix the security knob firmly when you are finish (A).



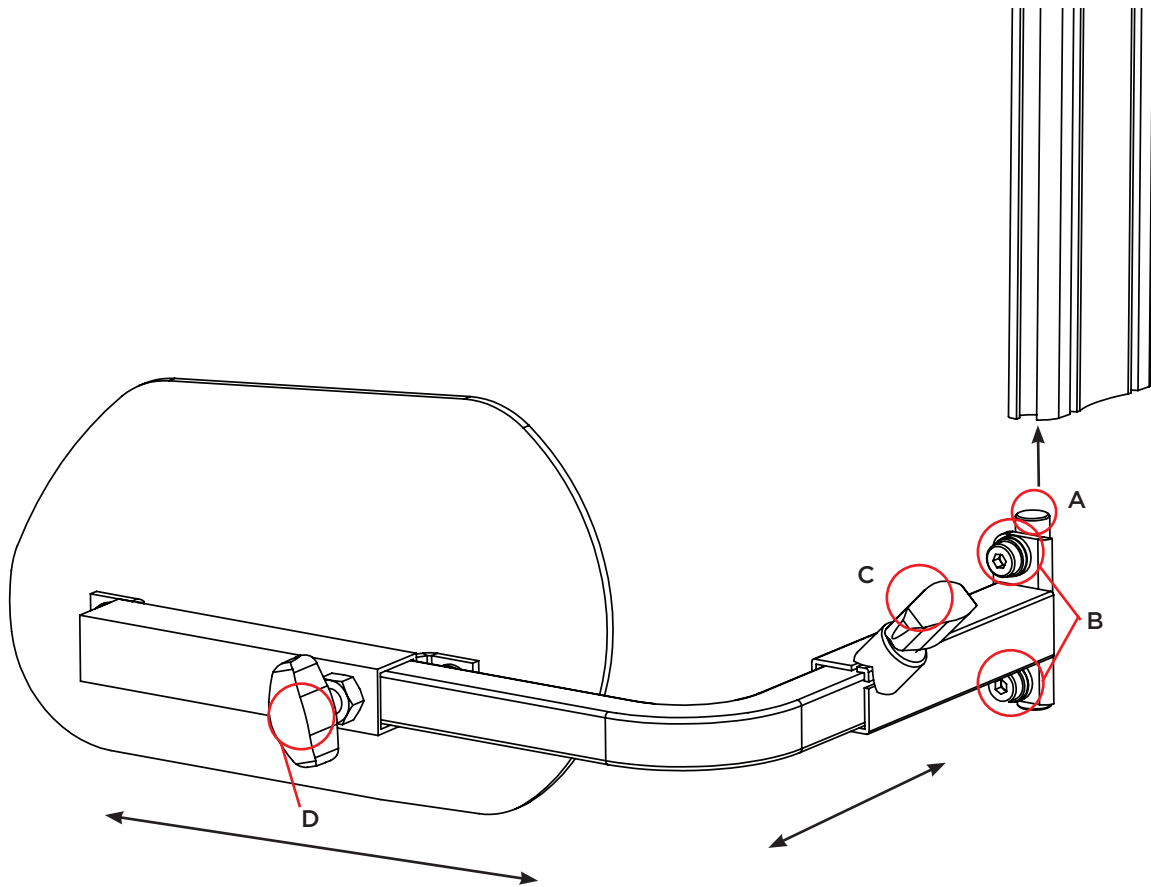
## Tilt of the seat unit

When the angle of the seat shall be adjusted, make shore to have a secure grip of the driving handle at the same time push the trigger for the gas spring (A). Adjust the seat to desired angle and release the trigger (A). Make sure to have the patient under supervision at all time when doing the adjustment so that the patient does not squeeze or get hurt.



# Hip support

The hip support is mounted in the bottom of the back profile. Insert rim pins (A) and slide the hip support to the desired height. Tighten the screws (B). Adjust the angle bracket to the desired position laterally. Tighten the knob (C). Adjust the hip brackets to the desired depth, tighten the knob (D).



# Armrest

## Mounting the armrest

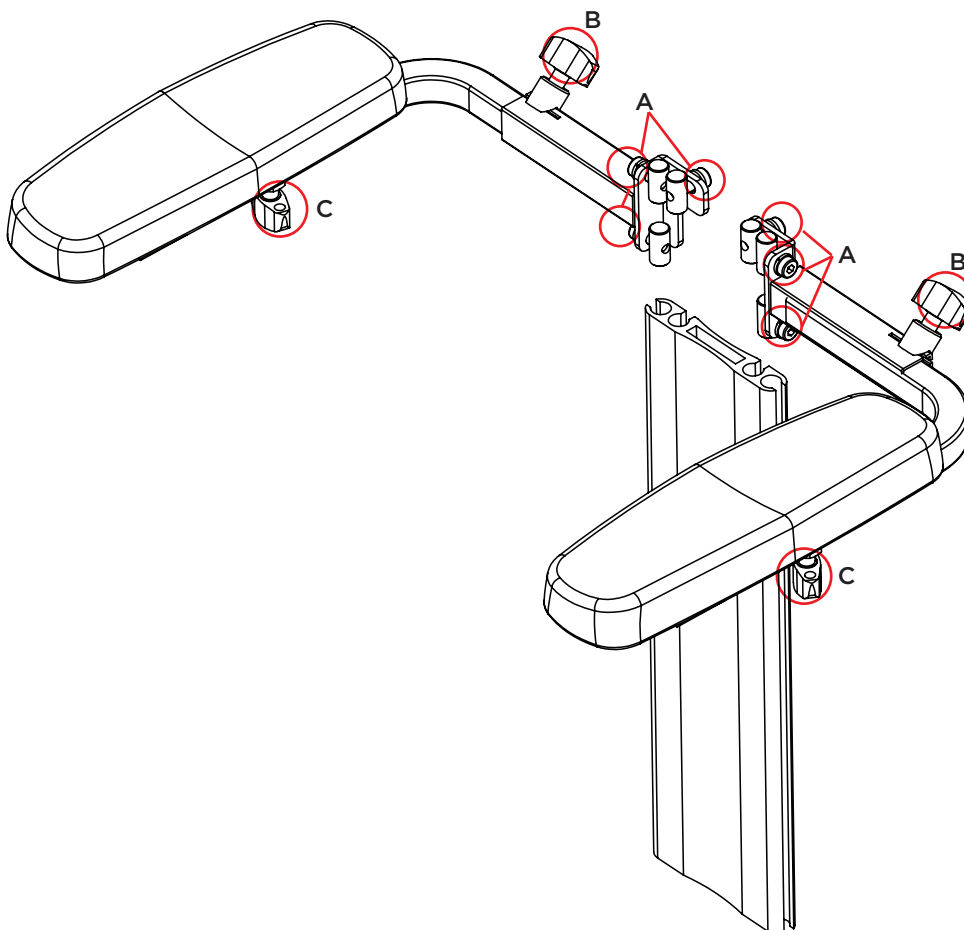
The armrest shall be mounted on the back in the profile. Mount the armrest according to the picture. Adjust to desired height. Fix the screws firmly (A).

## Adjustment of the width

Release the lever knob (B). adjust to desired width. Then fix the lever knob firmly.

## Depth adjustment

Release the lever knob (C). Adjust to desired position, then fix the lever knob firmly.



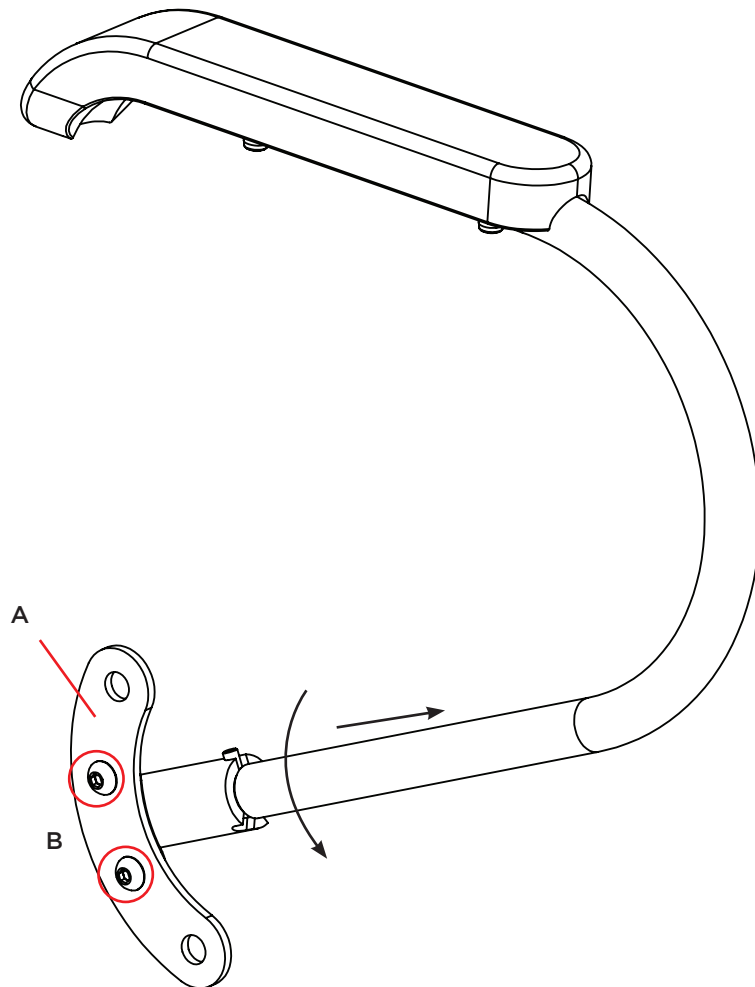
# Armrest, chassi

## Mounting, armrest on the chassi

The armrest shall be mounted on the side plate (A). Mount the screws (B) through the centered holes on the plate and in to the threaded holes on the armrest.

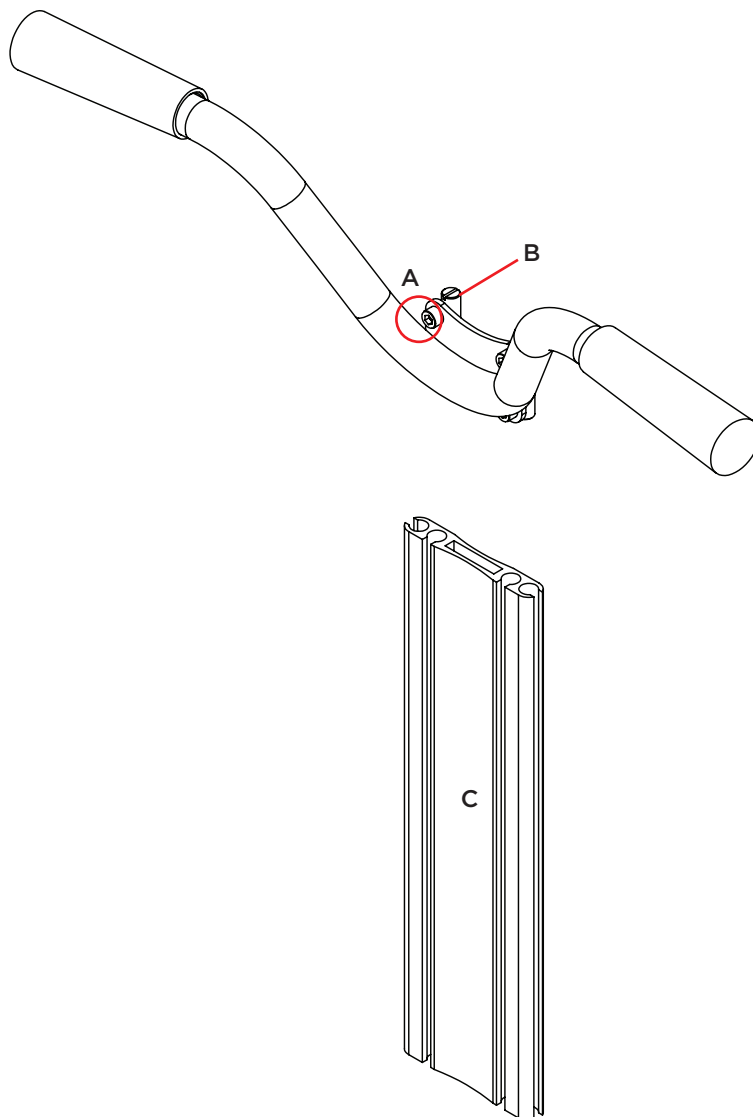
## Folding of the armrest

Pull the armrest to the side and up. Then twist the support away from the chassi until the support attach into the next hem.



## Driving handle

Release the screws (A) enough to be able to slide in the rim sprints (B) into the profile (C). Adjust to desired height and fix the screws firmly (A).



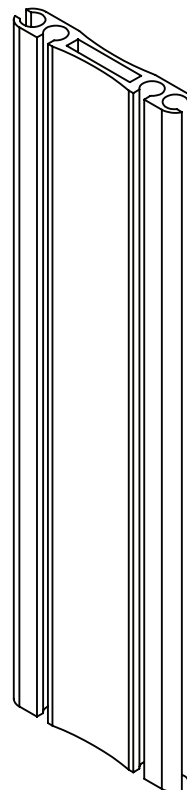
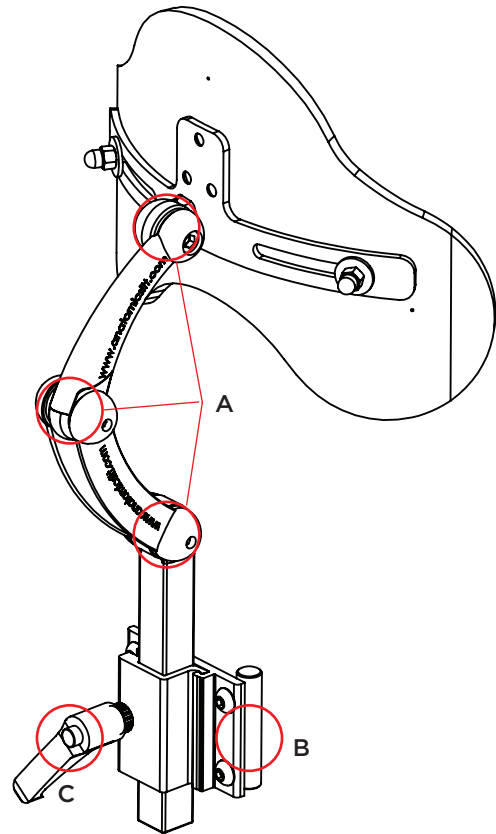
# Headrest

## Mounting / Adjustment of the headrest

- \* Take away the protection cap on the profile.
- \* Mount the headrest mounting on the profile.
- \* Release the screws (B) enough to be able to slide the mounting by hand.
- \* Put in the Patient adjust to desired position (A).
- \* Fix all of the screws and the lever knob firmly and mount the protection cap back on the profile.

The headrest is easy to release:

- \* Loosen the lever knob (C) to be able to take away the headrest.





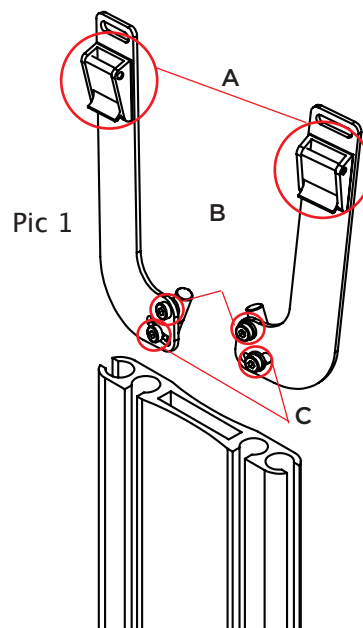
# Support mounting

## Mounting / Adjustment of the harnesses (Sternum support, H-strap)

### Mounting:

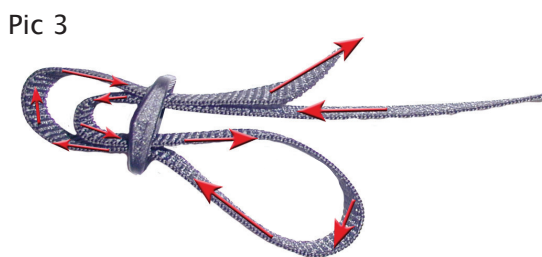
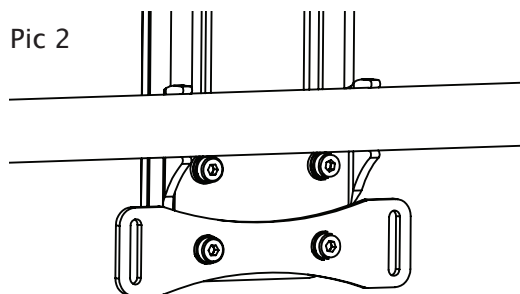
Upper mounting: (Picture 1)

- \* Release the protection cap on the profile.
- \* Mount the upper mounting as described in the picture 1.
- \* Open the buckle (A), slide the straps through the hole in the mounting and through the buckle and lock the buckle.



### Lower mounting to H-strap, Sternum support: (picture 2)

The lower mounting is included in the chair always. Lock the strap with the help of the triglide buckle as the picture 3 shows.



### Adjustment:

Seat the patient in the seat and release the socket head screw according to position B & C in picture 1. Adjust the arms so that the angle of force on the upper mounting points ends up in the same height as the shoulders.

Attach the screw according to position B on picture 1.

Adjust to desired width by angling the hardware to the right or left. (make shore that it is enough space for the neck)

Lock the screws according to position C, picture 1.

Adjust the pads in height to give the best pressure relief,

### Subsequent verification

- Make sure that there is enough space by the neck.
- Pressure on the strap
- Placement of the pads.

**Make sure that there is enough space for the neck.**

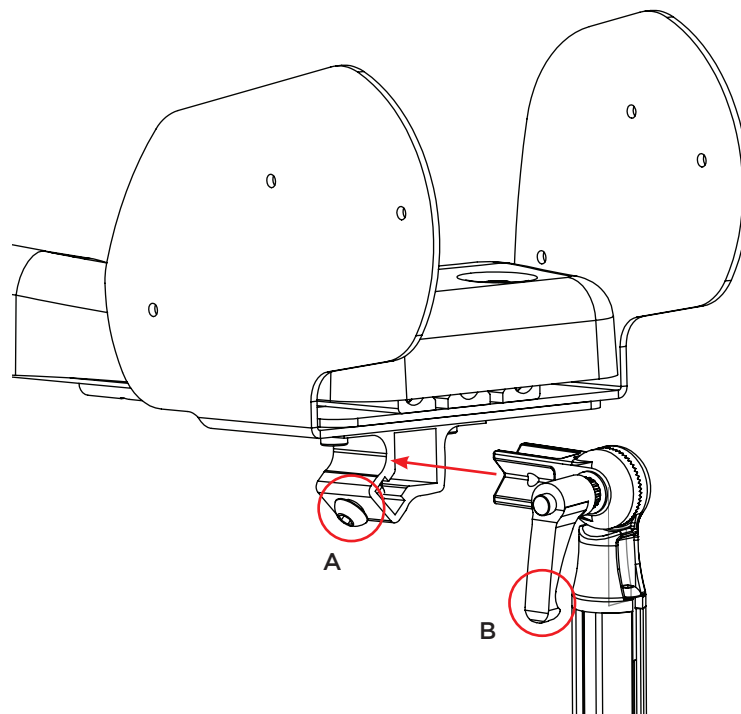
# Footrest

## Mounting of the footrest

- Mount the footrest as the picture.
- Fix the screw firmly (A)

## Angle adjustment of the knee

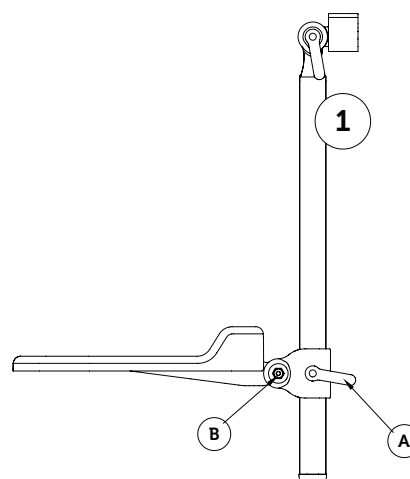
- Loosen the lever knob (B).
- Adjust to desired angle.
- Fix the lever knob firmly.



## Fixed footrest mounting

To be able to height adjust the footrest loosen the lever knob (A) enough to be able to slide on the profile. Then adjust to desired height. Fix the lever knob firmly

To be able to adjust the angle by the foot loosen the screw (B). Adjust to desired angle and fix the screw (B) firmly.



### Flexible footrest adapter

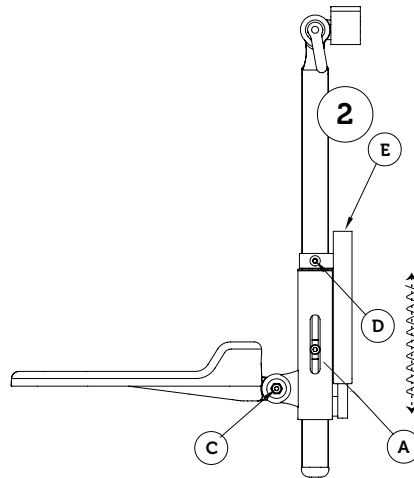
To adjust the height of the footrest loosen the screw (D) and then adjust to desired height.

Fix the screw firmly (D).

To Adjust the angle by the foot loosen the screw (C).  
Adjust to desired angle and then fix the screw firmly.

#### **Tip!**

**The resistance of the spring can be adjusted by using the screw (A). To get the flexible adapter to work best, the profile shall be in a straight line down.**

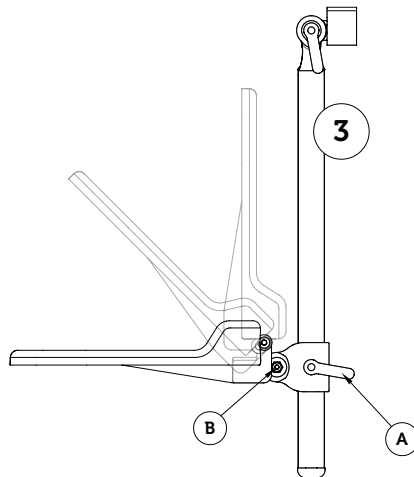


### Turn up footrest mounting

To adjust the footrest in height loosen the lever knob (A) and then adjust to desired height. Fix the lever knob firmly.

To use the turn up function lift the footrest plate in the front.

To adjust the angle by the foot loosen the screw (B).  
Adjust to desired angle and then fix the screw firmly.

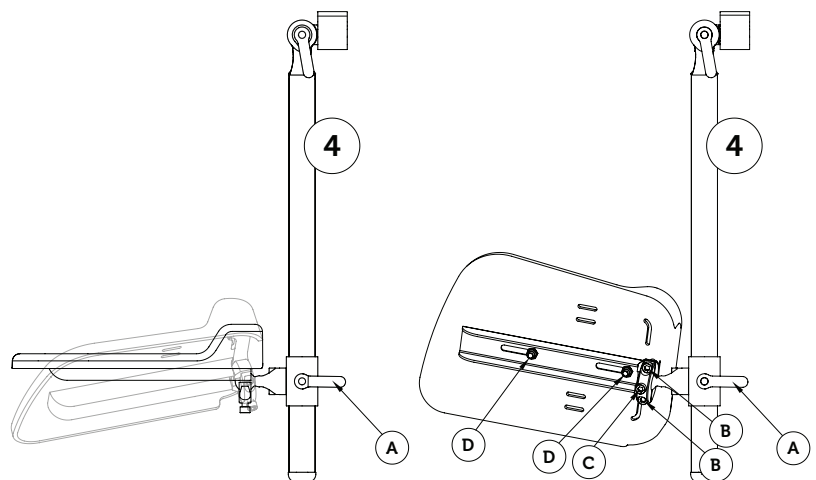


### Swivel adapter

To adjust the footrest in height loosen the lever knob (A) and then adjust to desired height. Fix the lever knob firmly.

To use the swivel function loosen the screws (B) and (C) and adjust to desired position. Fix the screws (B) firmly and the security screw firmly (C).

To adjust the foot plate in depth loosen the screws (D) the adjust to desired position, then fix the screws firmly.



# Calf support

## Mounting of calf support

Before mounting the calf support take away the footrest if this is mounted. Loosen the screw (F) that holds the footrest on the profile then pull the footrest down and off.

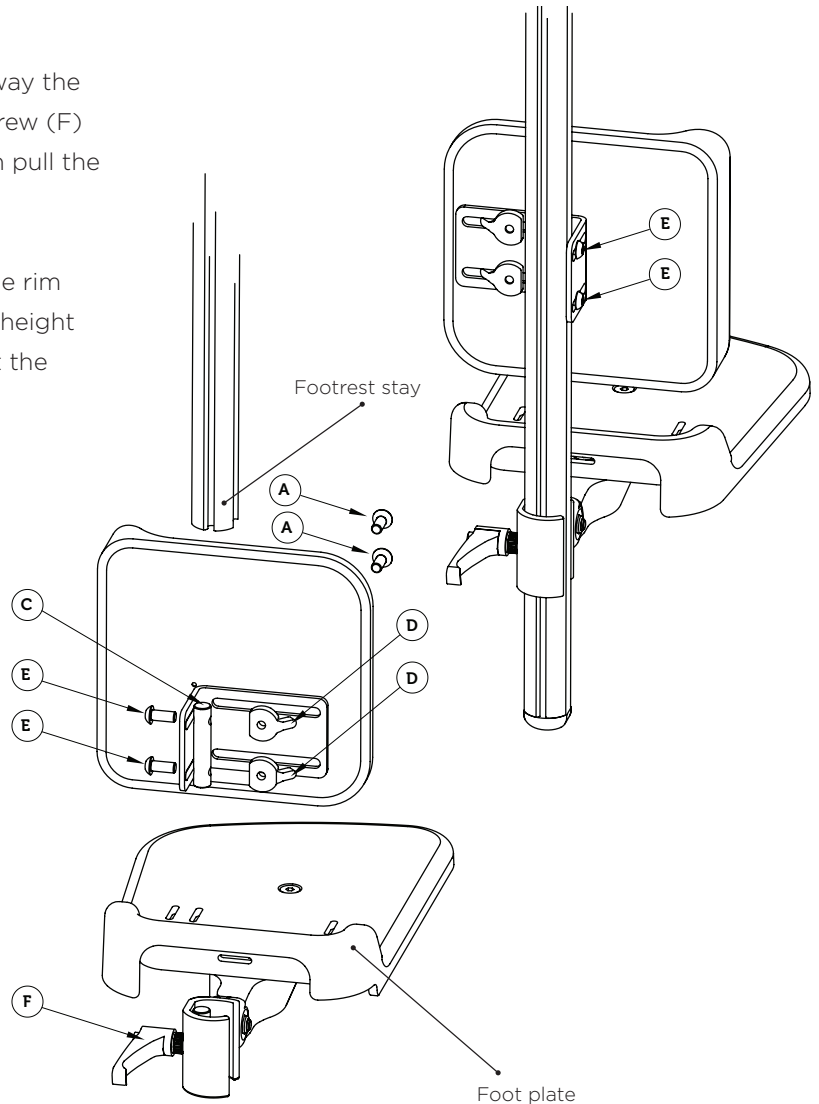
Mount the calf support through sliding the rim sprint (C) in the profile, adjust to desired height and fix the screws firmly (E). Then mount the footrest back.

## Height adjustment of the calf support

To adjust the height of the calf support loosen the screws (E) then adjust to desired height. Fix the screws firmly (E).

## Width adjustment of the calf support

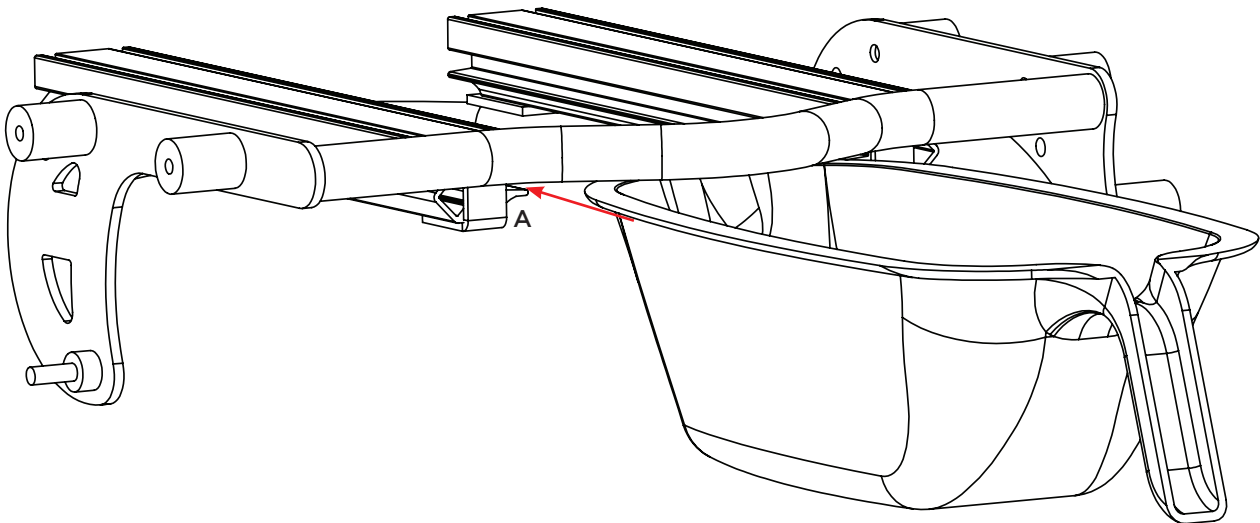
To adjust the width of the calf support loosen the screws (A) and then adjust to desired width. Fix the screws firmly (A).



# Pot

## Mounting of the pot

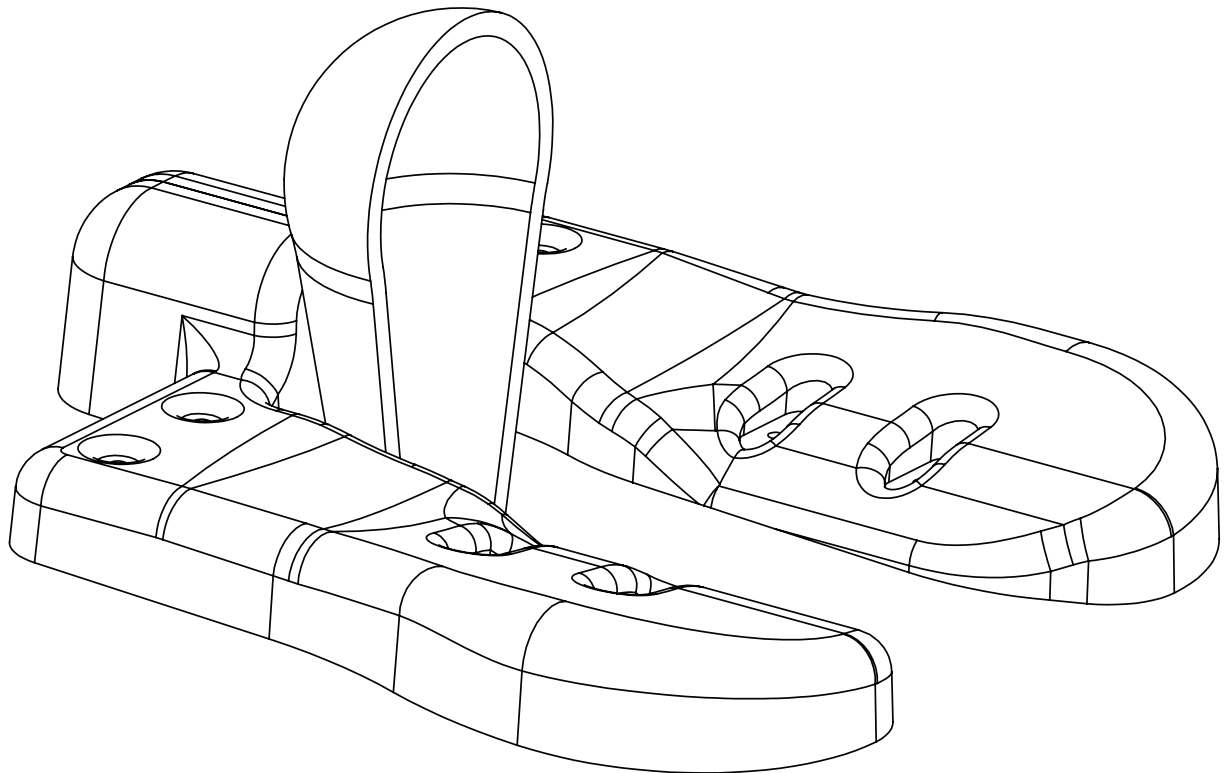
Mount the pot by sliding it in the lines (A) under the seatpart from the rear.  
Slide the pot all the way in until it stops against the front pipe.



## Urine protection

Mount the urine protection by wedging it down between the leg parts.

Measure the correct height of the urine protection so it fits the patient. If the pot is being used; cut off the material in the bottom of the urine protection so that the bottom rests on the bottom of the pot.



# Service and maintenance

## Service

Regular maintenance is important for the Zitzi Starfish Pro to function safe and properly. The need for service changes depends on use and wear. Check all moving parts and fasteners regularly. Use original parts from Anatomic SITT AB when reconditioning the Zitzi Starfish Pro. Work should always be done by professional and qualified staff. If you need support, you are always welcome to contact Anatomic SITT AB.

## Cleaning

Painted surfaces, wheels, front castors and handles are cleaned with cleaning solvent. Never use paint thinner, gasoline or other solvent.

## Warranty

1 year against manufacturing defects.

## Combinations

Zitzi Starfish Pro and its accessories are CE marked products that can be combined with all the accessories described in this manual. For other combinations please contact Anatomic SITT AB.

## Spare parts

For the CE marking of the Zitzi Starfish Pro to be valid, the Starfish Pro may only be fitted with spare parts delivered by Anatomic SITT AB.

## Reconditioning

Reconditioning only allowed with original parts from Anatomic SITT AB.



### ***Attn.***

*Always check that the device is not customized when reconditioning, before it is sent to new users.*

## Marking

Zitzi Starfish Pro and its accessories are CE marked products. A unique serial number is located on a label placed on the frame. This serial number should be quoted in any correspondence regarding the product.

## Recycling

A used part or product should be dismantled and discarded. The parts should be separated by material type, metal, plastic and combustibles (textiles). Gas piston is sorted as hazardous material.

# Summary and follow-ups

## **Follow-up inspections**

Continuously perform the follow-ups specified in each point. You should check the following points every time the patient uses the seating product.

- Continue to regularly perform the follow-ups.
- Regularly examine that all the screws are securely locked.
- Regularly examine the wear of straps and cushions.
- Do not tilt the seat too much forward when the patient is placed in the seat.



# Adaptation and customization

## **Guidelines and recommendations**

Every time the Zitzi Starfish Pro is altered in some way, an assessment has to be made to determine if it is an adaptation or a customization.

An adaptation is any change made in comprehension of the CE mark. All other changes are customizations. Adaptations must only be made by a person deemed to be qualified for the task and should always be made in a professional manner. The CE mark means that the product fulfils all of the essential European safety requirements.

Note that a risk assessment always should be done for an adaptation as well as for a customization of a medical aid. The product must never become dangerous to use after adaptation.

The product should be fitted with a note that it is adapted to a specific user, so that it cannot be mistaken for a standard model product.

## **Cut the profile of the footrest**

The length of the profile is allowed to be cut to fit the patient better.

## **Cut the profile of the armrest**

The length of the metal bar is allowed to be cut to fit the patient better.

## **Cut the back profile**

The length of the profile holding the back can be cut to fit the patient better. The profile can never be shorten more than the mounting on the back part fits on the profile.

# Terms of sale

## Warranty

Warranty against manufacturing errors is valid for one (1) year from delivery date. Warranty is void if the product has been subjected to external factors or rough handling. It's required that the faulty product is returned for us to process a warranty claim. Always attach the packing slip of the original delivery. Wearables such as cushions and splash guard are excluded.

## Warranty claims

Describe the error and the possible cause for this as thoroughly as possible. Always attach a copy of the invoice and state that the product should be returned to you after repairs. Provide a shipping address, a contact person and a phone number.

Make sure that you pack the product well to protect it from damages during the transportation. Note the shipping number in your documentation. This is so that you can track the shipment if anything should occur during transport.

## Returning products

Hygiene items are not returnable. *Please check with ordering facility if their policy deviates from Clarke's.* In the event of damage at delivery, immediately report damage with the shipping, freight company. For freight shipments any damage must be noted on the bill of lading, provided by the driver, at time of delivery. Retain any packing and packaging. Notify the company where you purchased the product. A claim will be started and appropriate action taken. In cases of shortages or faulty orders, notify your ordering company within 10 days. Provide your reason for returning the products. Shortage or damage claims cannot be accepted after 10 days.

If asked to return, always attach a copy of both the packing slip and the invoice. Make sure that you pack the product well to protect it from damages during the transportation. Note the shipping number in your documentation. This is so that you can track the shipment if anything should occur during transport.

## Customized products cannot be returned



# Technical data

## USER INFO

<b>User length</b>	46.8-56.5"	54.6-68.2"	66.3-78"
<b>Chassis with seat part</b>	<b>Seat part size 1</b>	<b>Seat part size 2</b>	<b>Seat part size 3</b>
<b>Seat depth</b>	11.7-14.8"	14-18.3"	17.5-21.4"
<b>Seat width</b>	14.8"	17.5"	19.9"
<b>Bredd bendel m foder</b>	14.8"	17.5"	19.9"
	<b>Seat part divided size 1</b>	<b>Seat part divided size 2</b>	<b>Seat part divided size 3</b>
<b>Seat depth</b>	11.7-14.8"	14-18.3"	17.5-21.4"
<b>Seat width</b>	13.6-16(18.7*)"	14.8-17.1(19.9*)"	15.2-17.5(20.2*)"
<b>Width leg art incl cushion</b>	6.4"	7.2"	7.8"
<b>Size hygiene outlet</b>	1.9-4.2(7*)"	1.5-8.9(6.6*)"	1.1-3.5(6.6*)"
<b>Clearance toilet, Man. Chassis</b>	1.6-2"	1.6-2"	1.6-2"
<b>Clearance toilet, Hydraulic/Pwr</b>	1.6-2.5"	1.6-2.5"	1.6-2.5"
<b>Seat height, Man. Chassis</b>	20.6-24.5"	20.6-24.5"	20.6-24.5"
<b>Seat height, Hydraulic/Pwr</b>	20.6-30.4"	20.6-30.4"	20.6-30.4"
<b>Tilt</b>	-5-30°	-5-30°	-5-30°
<b>Hip-/Back angle</b>	-10-35°	-10-35°	-10-30°
<b>Chassis, width</b>	21"	21"	23"
<b>Chassis, length</b>	26.9"	26.9"	30.8"
<b>Wheels</b>	4"	4"	4"
<b>Floor clearance</b>	2.5"	2.5"	2.5"
<b>Ca. weight incl. headrest, footrest, armrest</b>	68.3 lb.	72.7 lb.	77.1 lb.
<b>Max user weight Man. Chassis</b>	265 lb.	265 lb.	330 lb.
<b>Max user weight Hydraulic/Pwr</b>	220 lb.	220 lb.	265 lb.

\* Seat parts mounted in the outer tracks

<b>BACK</b>		
<b>Size 1:</b>	<b>Back Height</b>	17.9"
	<b>Back Profile</b>	19.5"
<b>Size 2:</b>	<b>Back Height</b>	21.8"
	<b>Back Profile</b>	23.4"
<b>Size 3:</b>	<b>Back Height</b>	25.7"
	<b>Back Profile</b>	27.3"

<b>LATERAL SUPPORT</b>		
<b>Size 1:</b>	<b>Trunk Width</b>	8.2-11.7"
	<b>Trunk Depth</b>	5.4"
<b>Size 2:</b>	<b>Trunk Width</b>	9.3-13.2"
	<b>Trunk Depth</b>	6.6"
<b>Size 3:</b>	<b>Trunk Width</b>	11.7-15.6"
	<b>Trunk Depth</b>	7.8"
<b>Lateral adjustment +/- 3.3"</b>		

<b>FOOTREST</b>			
	<b>Footrest size 1</b>	<b>Footrest size 2</b>	<b>Footrest size 3</b>
<b>Foot plate (W x D)</b>	13.4 x 8.7"	14.8 x 9.9"	14.8 x 12"
	<b>Footrest divided size 1</b>	<b>Footrest divided size 2</b>	<b>Footrest divided size 3</b>
<b>Foot plate (W x D)</b>	6.2 x 8.5"	7 x 9.9"	7 x 11.9"
<b>Profile Length</b>	11.7"	15.6"	19.5"

**SE**

**Anatomic SITT AB (manufacturer)**

Box 6137, SE-600 06 Norrköping, Sweden

Tel +46 11 16 18 00

Fax +46 11 16 20 05

Support +46 11 16 18 05

**Visiting address**

Terminalgatan 1, SE-602 29 Norrköping, Sweden

**DK**

**Anatomic SITT A/S**

Viengevej 4, 8240 Risskov, Denmark

Tel +45 86 17 01 74

Fax +45 86 17 01 75

**FI**

**Rehaco OY**

Haaransuontie 6 A7, 90240 Oulu, Finland

Tel: +35 840 775 22 88

**NL**

**Anatomic SITT Nederland BV**

Postbus 6027 / 4000 HA Tiel, Netherlands

Tel +31 344 63 45 40

Fax +31 344 62 33 61

**US**

**Clarke Health Care**

7830 Steubenville Pike, Oakdale, PA 15071

Tel 888 347 4537

Fax 724 695 2922

*World wide*

[anatomicsitt.com](http://anatomicsitt.com)

[info@anatomicsitt.com](mailto:info@anatomicsitt.com)

[facebook.com/anatomicsitt](https://facebook.com/anatomicsitt)

