

JAY[®] Care Back

IMPORTANT CONSUMER INFORMATION

NOTICE: This manual contains important instructions that must be passed on to the user of this product.
Please do not remove this manual before delivery to the end user.

SUPPLIER: This manual must be given to the user of this product.

USER: Before using this product, read this entire manual and save for future reference.

Owner's Manual

Respaldo JAY[®] Care

INFORMACIÓN IMPORTANTE PARA EL CONSUMIDOR

AVISO: Este manual contiene instrucciones importantes que se deben proporcionar al usuario del producto.
No descarte este manual antes de la entrega al usuario final.

DISTRIBUIDOR: Este manual deberá ser entregado al usuario de este producto.

USUARIO: Antes de usar el producto, lea este manual en su totalidad y consérvelo para referencia futura.

Manual del Propietario

Dossier JAY^{MD} Care

INFORMATIONS IMPORTANTES POUR LE CONSOMMATEUR

AVIS : Ce manuel contient des instructions importantes qui doivent être communiquées à l'utilisateur de ce produit.
Prière de ne pas enlever ce manuel avant livraison à l'utilisateur.

FOURNISSEUR: Ce manuel doit être remis à l'utilisateur de ce produit.

UTILISATEUR: Avant d'utiliser ce produit, lisez entièrement ce manuel et conservez-le pour référence ultérieure.

Manuel du Propriétaire

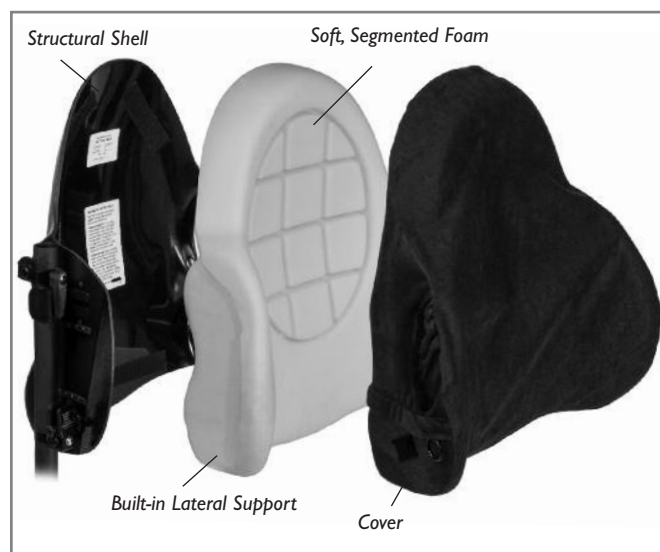


JAY CARE BACK - 3500 SERIES MODELS

The Jay Care Back is designed to accommodate and support the kyphotic spine and provide a high degree of comfort and stability. It is designed to help increase sitting tolerance and function. Its unique foam construction also helps provide pressure relief along the spine. In addition, it is lightweight, durable and easily adjustable.

Maximum user weight: 250 lbs. (113 kg).

CAUTION: *Installing a back support on a wheelchair may affect the center of gravity of the wheelchair and may cause the wheelchair to tip backwards potentially resulting in injury. Always assess for the potential need for anti-tippers or amputee axle adapter brackets to be added to the wheelchair to help increase stability.*



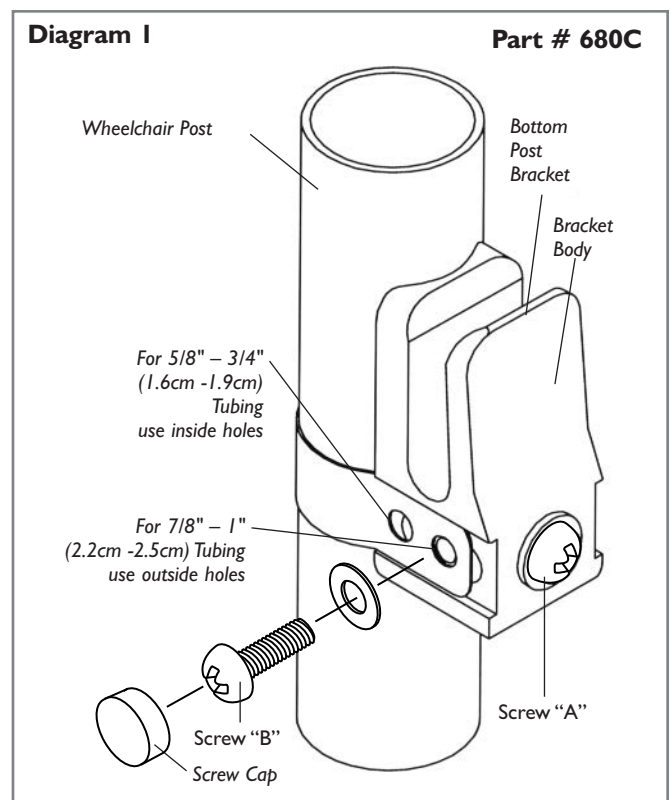
INSTALLING THE JAY CARE BACK

The Jay Care Back is designed to replace the wheelchair's sling upholstery. The initial installation should be done without the foam insert in the Back shell.

Tighten all fasteners to 20 in.-lbs. (2.3 N-m) using a Phillips No. 2 screwdriver.

Installing the bottom Universal Post Bracket hardware

1. Remove the upholstery from the back of the wheelchair.
2. Attach one bottom universal post bracket to the bottom of each back post of the wheelchair. (Diagram I)
 - a) The universal hardware is designed to fit on 5/8", 3/4", 7/8" and 1" (1.6, 1.9, 2.2 and 2.5 cm) diameter back post tubing. (The bracket comes assembled to attach to 7/8" or 1" (2.2 or 2.5 cm) tubing) Check diagram I to determine which strap hole is appropriate for the installation. Wrap the strap around the wheelchair post. Screw "A" may have to be loosened to align the strap hole with the barrel nut located inside the post bracket body. Place a washer on screw "B" and insert the screw through the appropriate hole in the strap.
 - b) Tighten screw "B" into the barrel nut through the side of the post bracket body. Tighten the opposite screw if necessary.
 - c) Snap the screw caps over both screw heads.
 - d) To adjust the height of the bracket, loosen screw "A" until the bracket slides freely on the back post. Once the proper height of the back is determined, tighten the screw. All future adjustments of the back height are done with screw "A".

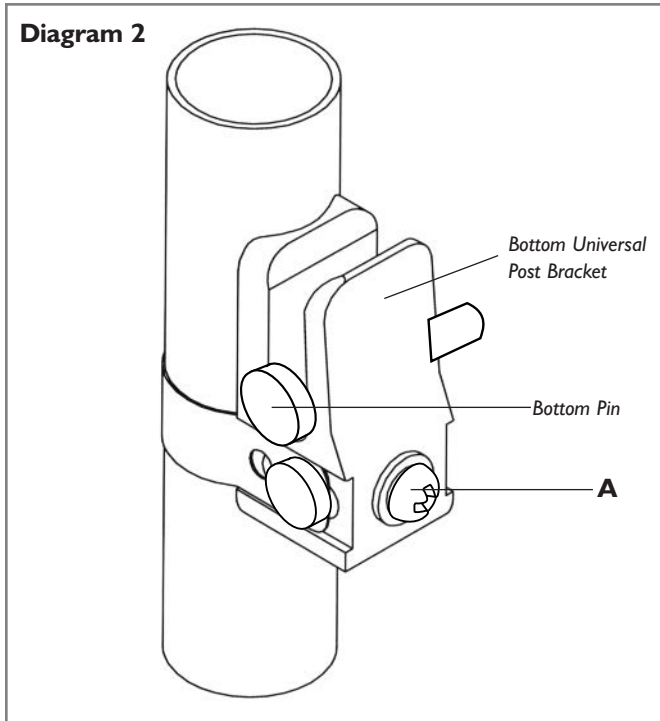


INSTALLING & ADJUSTING THE JAY CARE BACK

Installing the Jay Care Back

1. Place the Jay Care Back in the wheelchair so that the bottom pins slide into the the bottom Universal Post Bracket hardware receivers. The Back's top hooks should rest against the wheelchair back posts. The bottom pin head should extend past the outside edge of the post bracket receiver.

NOTE: If the wheelchair measures slightly wider than the usual 16" (40cm), 18" (46cm), or 20" (50cm) widths, it may be necessary to order Extended Hardware, part# M-301. Call your local authorized supplier.

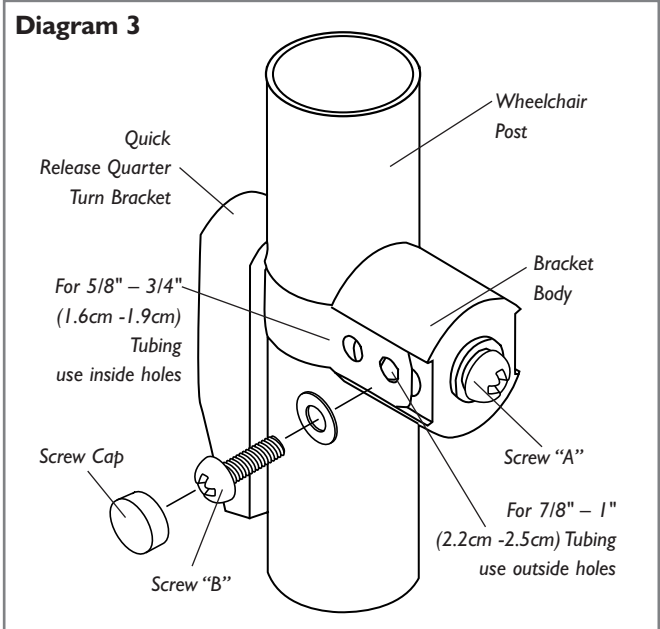


- d) To adjust the height of the bracket, loosen screw "A" until the bracket slides freely on the back post. Once the proper height of the back is determined, tighten the screw. All future adjustments of the back height are done with screw "A".
- e) Always turn the quick release quarter turn bracket to the "DOWN" position (Diagram 4) to secure the top hook in place.

NOTE: The back is properly secured when the bottom pins are resting in the lower post brackets and the upper quick release quarter turn brackets are installed above the back support's top hook brackets with the quick release mechanism pointing down.

CAUTION: The top quick release quarter turn brackets must be in their downward position when the back is in use. Improper use may cause the back to unexpectedly detach from the wheelchair.

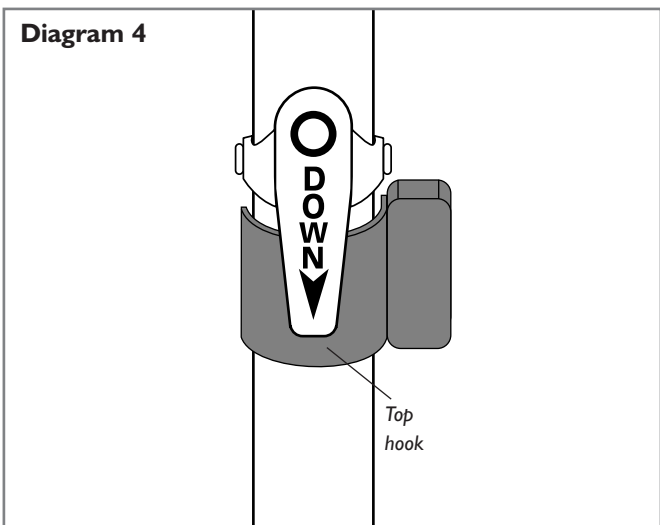
CAUTION: Do not use Jay Care Back to push or lift wheelchair. Improper use may cause the back to unexpectedly detach from the wheelchair.



INSTALLING THE TOP QUICK RELEASE QUARTER TURN BRACKET HARDWARE

Tighten all fasteners to 20 in.-lbs. (2.3 N-m) using a Phillips No. 2 screwdriver.

1. Attach one top quick release quarter turn bracket to each upright post of the wheelchair.
 - a) The top quick release quarter turn bracket is designed to fit on 5/8", 3/4", 7/8" and 1" (1.6, 1.9, 2.2 and 2.5 cm) diameter back post tubing. (The bracket comes assembled to attach to 7/8" or 1" (2.2 or 2.5 cm) tubing) Check diagram 3 to determine which strap hole is appropriate for the installation. Wrap the strap around the wheelchair post. Screw "A" may have to be loosened to align the strap hole with the barrel nut located inside the bracket body. Place a washer on screw "B" and insert the screw through the appropriate hole in the strap.
 - b) Tighten screw "B" into the barrel nut through the side of the bracket body. Tighten the opposite screw if necessary.
 - c) Snap the screw caps over both screw heads.



FITTING THE JAY CARE BACK TO THE USER

Tighten all fasteners to 20 in.-lbs. (2.3 N-m) using a Phillips No. 2 screwdriver.

Fitting the Back height

1. When the Back is properly adjusted, the top hooks should rest comfortably against the wheelchair back posts.
2. Re-install the Back foam insert.
3. Position the user's hips to the back of the wheelchair.
4. Adjust the back height, with the top and bottom hardware loose enough to slide on the back posts. The Back is designed to be fit at a height that supports the pelvis in its optimal position. To adjust the height of the Jay Care Back, simply move the Back up or down so that the bottom pins are approximately at the level of the upper sacral, lower lumbar level. The lower portion of the Care Back should support the lumbar and sacral areas, while the top portion supports the thoracic area. The lateral supports should fit comfortably around the lower torso.
5. Once the proper height has been established, tighten screws "A" on the top and bottom hardware.

Adjusting seat depth

Once the back height has been adjusted and the individual is properly positioned in the wheelchair, adjust the seat depth.

1. To adjust seat depth, loosen the bottom pins on the back shell two full turns with a flat head screwdriver.
2. Adjust the bottom of the back to provide comfortable support to the lumbar sacral area and to establish seat depth. There needs to be a two to four finger width gap between the front of the wheelchair cushion and the back of the user's knee.
3. Tighten the bottom pins of the back shell.

Adjusting the back angle

The adjustment of the back angle is accomplished by using the top "slide" bracket screws visible on the sides of of the back shell. A 23° recline is possible without losing seat depth. A maximum 39° angle is possible.

1. Use a flat head screwdriver to turn the top screw, securing the upper "hook" bracket on either side of the back shell. Turn the screws one full turn to loosen. The "hook" bracket should slide freely.
2. After loosening the screws, adjust the back forward or backward until desired angle is reached, optimizing the visual field, balance, function, comfort, and contact with the individual. Once the proper angle is determined, tighten the screws.

Hints: If adjusting the angle of the back while the individual is in the wheelchair, make sure to support the back when loosening screws to prevent abrupt movement of the back.

If the user has a pronounced kyphosis, neck fatigue and a decreased visual field may be experienced throughout the day while the individual is seated in the wheelchair. Ensure the Jay Care Back angle and seat depth are adjusted to improve visual field while maximizing the individual's function and maintaining comfort.

If additional angle is desired (a maximum of 39° recline is possible), the bottom pins can be adjusted backwards relative to the shell. This will cause the bottom of the back to move forward. However,

this will result in a loss of seat depth. If maximum angle is used, assess wheelchair for anti-tip bars.

As a general rule, keep the Back in the most vertical position possible to still allow the user's hips to be kept to the back of the wheelchair and his or her eye level to be parallel with the floor. Over-reclining can accentuate sliding of the hips and hyper-extension of the neck forward.

Lateral support adjustment wedges

If the client is in a wheelchair that is too wide and needs extra lateral support, the Jay Care Back can accommodate two lateral support adjustment wedges. These wedges are available at no charge and are available through your local authorized supplier.

To use them, unzip the back cover and insert the wedges between the existing lateral supports and the back shell. Ensure that the curve of the wedge matches the curve of the back foam. The two should "nest" together. After properly positioning the lateral wedges, zip closed the back cover and re-attach to back shell. The support wedges effectively narrow the back by 1" (2.5cm) on each side.

Modifications

If the user has a pronounced kyphosis, it can be recessed further into the back foam by cutting away the "cubed" sections of the back foam. This modification would be done in the area of the apex of the kyphosis. The foam can easily be cut with an electric knife. The lateral area of the back foam can also be cut back up to 1/2" (1cm) on each side to accommodate a wider individual.

Important

The back posts on several common institutional wheelchairs may prohibit effective use of the Jay Care Back. When the upholstery is removed from these wheelchairs, the back posts will "flair" out as they go up. This puts undue stress on the Care Back. You must use the Extended Hardware (M-301) on the Care Back in this situation. It can be installed at Sunrise Medical or can be retrofit in the field. The Bottom Pin and the Top Hook of the Care Back Extended Hardware extends out further to better engage on the posts. All other hardware remains the same. Call your local authorized supplier for assistance.

CAUTION: *If the Extended Hardware is not used, the back could unexpectedly detach from the wheelchair, causing the user to fall out of the wheelchair.*

CAUTION: *Do not move the wheelchair by pushing against the Jay Care Back. This could cause the back to unexpectedly detach from the wheelchair, causing the user to fall out of the wheelchair.*

EASY CLEANING AND RE-ASSEMBLY FOR JAY CARE BACK

To clean back cover

Pull foam insert away from back shell. Unzip, remove foam and turn cover inside out, zip closed to avoid snagging. If applicable, note where lumbar shims are placed to ensure proper re-assembly. Machine wash in warm water. Dry in dryer on medium heat.

The Quick-Dry cover is made of a 100% synthetic suede that “wicks” moisture away from the skin, allowing the fabric to dry at an accelerated rate.

NOTE: Do not dry clean covers or use industrial washers and dryers to clean cover. Do not steam autoclave. Do not bleach.

Replace foam in cover and zip closed. The “Top” label on the cover should be at the top, rear of the foam. Ensure that the cover fits properly by aligning the seams with the edge of the foam.

Replace lumbar shims if applicable. Place foam insert on shell. Ensure that “Top” label on cover is at the top of the back shell. Press into the back shell, matching the Velcro® strips on the cover with the Velcro® strips on the shell.

Hint: In an institutional setting, write the client’s name on the content label of the back cover and complete the enclosed “Name” sticker and attach to the back shell. This will ensure the return of the cover after washing.

To clean back shell

Shell may be wiped clean with soap and water. No other maintenance should be required.

24 MONTH LIMITED WARRANTY

Each Jay Care Back is carefully inspected and tested to provide peak performance. Every Jay Care Back is guaranteed to be free from defects in materials and workmanship for a period of 24 months from the date of purchase, provided normal use. Should a defect in materials or workmanship occur within 24 months from the original date of purchase, Sunrise Medical will, at its option, repair or replace it without charge. This warranty does not apply to punctures, tears or burns, nor to the back’s removable cover.

Claims and repairs should be processed through the nearest authorized supplier. Except for express warranties made herein, all other warranties, including implied warranties of merchantability and warranties of fitness for a particular purpose are excluded. There are not warranties which extend beyond the description on the face hereof. Remedies for breach of express warranties herein are limited to repair or replacement of the goods. In no event shall damages for breach of any warranty include any consequential damages or exceed the cost of non-conforming goods sold.

JAY® Care Back

IMPORTANT CONSUMER INFORMATION

NOTICE: This manual contains important instructions that must be passed on to the user of this product. Please do not remove this manual before delivery to the end user.

SUPPLIER: This manual must be given to the user of this product.

USER: Before using this product, read this entire manual and save for future reference.

Owner's Manual

Respaldo JAY® Care

INFORMACIÓN IMPORTANTE PARA EL CONSUMIDOR

AVISO: Este manual contiene instrucciones importantes que se deben proporcionar al usuario del producto. No descarte este manual antes de la entrega al usuario final.

DISTRIBUIDOR: Este manual deberá ser entregado al usuario de este producto.

USUARIO: Antes de usar el producto, lea este manual en su totalidad y consérvelo para referencia futura.

Manual del Propietario

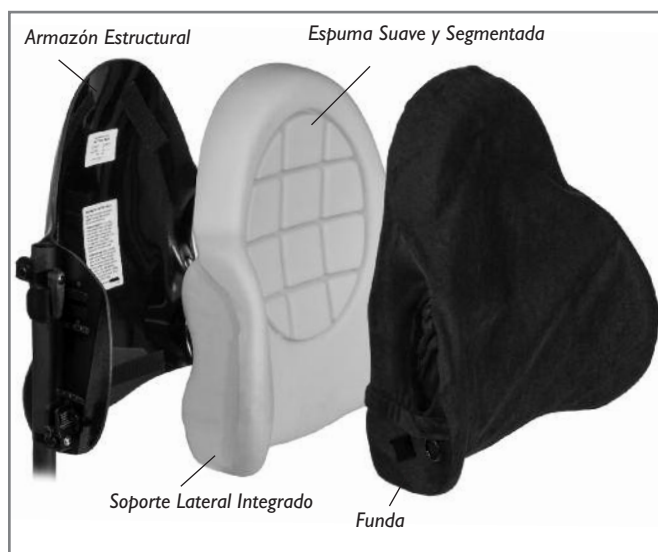


RESPALDO JAY CARE - MODELOS SERIE 3500

El Respaldo Jay Care está diseñado para acomodarse y dar soporte a la columna cifótica, para brindar un alto nivel de confort y estabilidad. Está diseñado para mejorar la tolerancia al estar sentado y la función. Su composición única de espuma también ayuda a aliviar la presión a lo largo de la columna. Además, es liviano, duradero y fácil de ajustar.

Peso máximo del usuario: 113 kg (250 libras).

PRECAUCIÓN: Instalar un respaldo en la silla de ruedas puede afectar el centro de gravedad de esta y puede provocar que la silla de ruedas se vuelque hacia atrás, causando lesiones potenciales. Evalúe siempre la necesidad de instalar en la silla de ruedas tubos antivolcaduras o abrazaderas adaptadoras del eje para amputados para ayudar a aumentar la estabilidad.



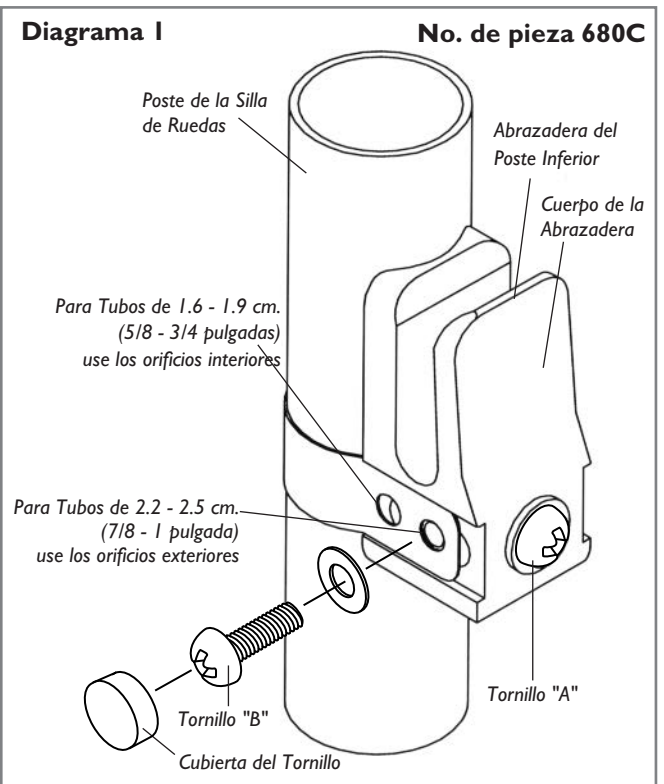
INSTALACIÓN DEL RESPALDO JAY CARE

El Respaldo Jay Care está diseñado para reemplazar la tapicería de la eslinga de la silla de ruedas. La instalación inicial debe hacerse sin el inserto de espuma en el armazón del Respaldo.

Apriete todos los tornillos a 20 pulgadas-libras. (2.3 N-m) con un desarmador Phillips No. 2.

Instalación de los accesorios de la Abrazadera Inferior para el Poste Universal

1. Retire la tapicería del respaldo de la silla de ruedas.
2. Fije una abrazadera inferior para el poste universal en la parte inferior de cada poste del respaldo de la silla de ruedas (Diagrama 1).
 - a) Los accesorios universales están diseñados para tubos de postes de respaldo con un diámetro de 1.6, 1.9, 2.2 y 2.5 cm (5/8, 3/4, 7/8 y 1 pulgadas). (La abrazadera viene armada para fijarse a tubos de 2.2 o 2.5 cm [7/8 o 1 pulgada]). Vea el diagrama 1 para determinar el orificio de la correa adecuado para la instalación. Pase la correa alrededor del poste de la silla de ruedas. El tornillo "A" puede estar un poco flojo para alinear el orificio de la correa con la tuerca de barril ubicada dentro del cuerpo de la abrazadera del poste. Coloque una arandela en el tornillo "B", e inserte el tornillo a través del orificio adecuado de la correa.
 - b) Apriete el tornillo "B" dentro de la tuerca de barril, a través de la parte lateral del cuerpo de la abrazadera del poste. Apriete el tornillo opuesto si es necesario.
 - c) Fije las cubiertas de los tornillos en las cabezas de ambos.
 - d) Para ajustar la altura de la abrazadera, afloje el tornillo "A" hasta que la abrazadera se deslice fácilmente por el poste del respaldo. Cuando haya determinado la altura adecuada del respaldo, apriete el tornillo. Todos los ajustes futuros a la altura del respaldo se harán con el tornillo "A".

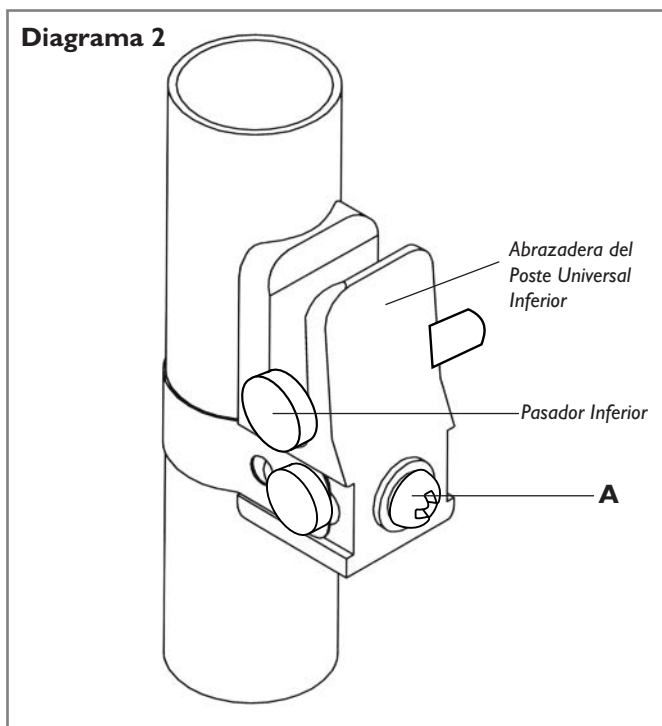


INSTALACIÓN Y AJUSTE DEL RESPALDO JAY CARE

Instalación del Respaldo Jay Care

1. Coloque el Respaldo Jay Care en la silla de ruedas, de manera que los pasadores inferiores se deslicen dentro de los receptáculos de los accesorios de la Abrazadera del Poste Universal. Los ganchos de la parte superior del Respaldo deben quedar frente a los postes del respaldo de la silla de ruedas. La cabeza del pasador inferior debe extenderse más allá del borde exterior del receptáculo de la abrazadera del poste.

NOTA: Si la silla de ruedas es un poco más ancha de lo normal 40 cm (16 pulgadas), 46 cm (18 pulgadas) o 50 cm (20 pulgadas), puede ser necesario ordenar Accesorios Extendidos, No. de pieza M-301. Llame a su proveedor autorizado local.



INSTALACIÓN DE LA LIBERACIÓN RÁPIDA SUPERIOR ACCESORIOS DE LA ABRAZADERA DE UN CUARTO DE VUELTA

Apriete todos los tornillos a 20 pulgadas-libras. (2.3 N-m) con un desarmador Phillips No. 2

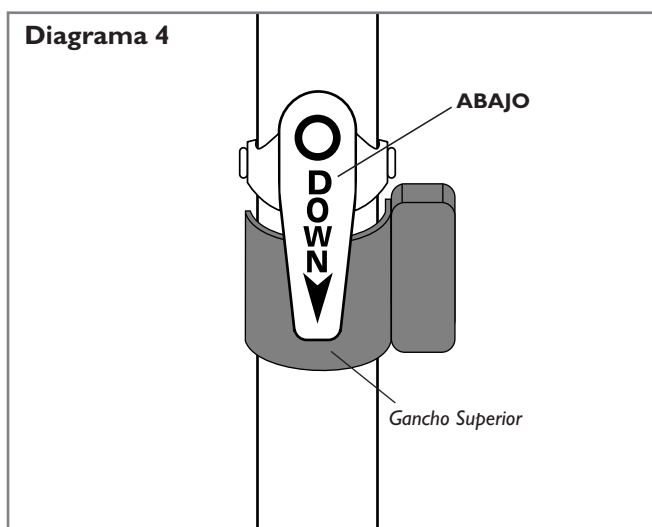
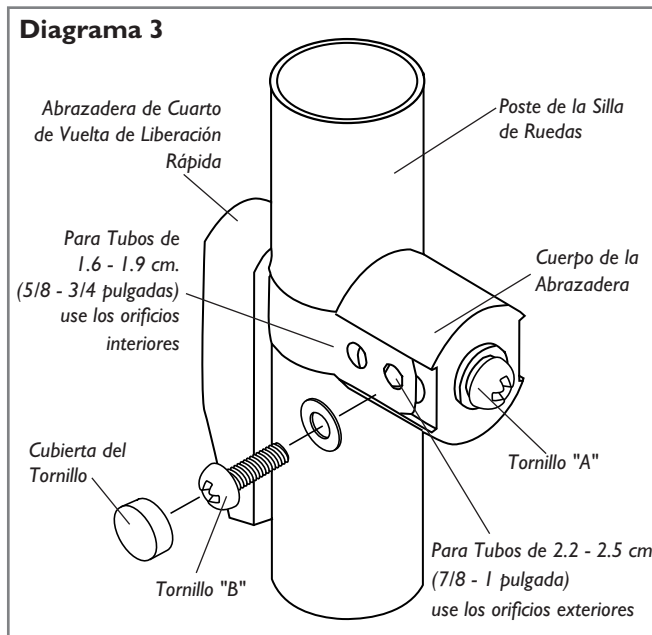
1. Fije una abrazadera de cuarto de vuelta de liberación rápida superior en cada uno de los postes verticales de la silla de ruedas.
 - a) La abrazadera de cuarto de vuelta de liberación rápida superior está diseñada para tubos de postes de respaldo con un diámetro de 1.6, 1.9, 2.2 y 2.5 cm (5/8, 3/4, 7/8 y 1 pulgadas). (La abrazadera viene armada para fijarse a tubos de 2.2 o 2.5 cm [7/8 o 1 pulgada]). Vea el diagrama 3 para determinar el orificio de la correa adecuado para la instalación. Pase la correa alrededor del poste de la silla de ruedas. El tornillo "A" puede estar un poco flojo para alinear el orificio de la correa con la tuerca de barril ubicada dentro del cuerpo de la abrazadera. Coloque una arandela en el tornillo "B", e inserte el tornillo a través del orificio adecuado de la correa.

- b) Apriete el tornillo "B" dentro de la tuerca de barril, a través de la parte lateral del cuerpo de la abrazadera. Apriete el tornillo opuesto si es necesario.
- c) Fije las cubiertas de los tornillos en las cabezas de ambos.
- d) Para ajustar la altura de la abrazadera, afloje el tornillo "A" hasta que la abrazadera se deslice fácilmente por el poste del respaldo. Cuando haya determinado la altura adecuada del respaldo, apriete el tornillo. Todos los ajustes futuros a la altura del respaldo se harán con el tornillo "A".
- e) Siempre gire la abrazadera de cuarto de vuelta de liberación rápida hacia la posición "DOWN" (hacia abajo, Diagrama 4), para asegurar el gancho superior en su sitio.

NOTA: El respaldo está asegurado de manera adecuada cuando los pasadores inferiores están colocados en las abrazaderas inferiores, y las abrazaderas de cuarto de vuelta de liberación rápida superiores están instaladas arriba de las abrazaderas del gancho superior del soporte del respaldo, con el mecanismo de liberación rápida apuntando hacia abajo.

PRECAUCIÓN: Las abrazaderas de cuarto de vuelta de liberación rápida deben estar en posición hacia abajo cuando se use el respaldo. El uso inapropiado puede provocar que el respaldo se desprenda inesperadamente de la silla de ruedas.

PRECAUCIÓN: No use el Respaldo Jay Care para empujar o levantar la silla de ruedas. El uso inapropiado puede provocar que el respaldo se desprenda inesperadamente de la silla de ruedas.



AJUSTE DEL RESPALDO JAY CARE AL USUARIO

Apriete todos los tornillos a 20 pulgadas-libras. (2.3 N-m) con un desarmador Phillips No. 2.

Ajuste de la altura del Respaldo

1. Cuando el Respaldo está ajustado adecuadamente, los ganchos de la parte superior del Respaldo deben estar colocados cómodamente frente a los postes del respaldo de la silla de ruedas.
2. Vuelva a instalar el inserto de espuma del Respaldo.
3. Coloque la cadera del usuario hacia la parte posterior de la silla.
4. Ajuste la altura del respaldo, con los accesorios superiores e inferiores lo suficientemente flojos para poder deslizar los postes del respaldo. El Respaldo está diseñado para ajustarse a una altura que dé soporte a la pelvis en su posición óptima. Para ajustar la altura del Respaldo Jay Care, simplemente mueva el Respaldo hacia arriba o hacia abajo, de manera que los pasadores inferiores estén aproximadamente al nivel del hueso sacro superior, a nivel lumbar bajo. La posición inferior del Respaldo Care deben dar soporte a las áreas lumbares y al sacro, a la vez que la parte superior da soporte al área torácica. Los soportes laterales deben ajustarse cómodamente alrededor del torso inferior.
5. Una vez que se ha establecido la altura adecuada, apriete los tornillos "A" en los accesorios superiores e inferiores.

Ajuste de la profundidad del asiento

Una vez que la altura del respaldo se haya ajustado, y la persona esté colocada adecuadamente en la silla de ruedas, ajuste la profundidad del asiento.

1. Para ajustar la profundidad del asiento, afloje los pasadores inferiores del armazón del respaldo con un desarmador de cabeza plana.
2. Ajuste la parte inferior del respaldo para dar soporte cómodamente al área lumbar y del sacro, y para establecer la profundidad del asiento. Debe haber un espacio de dos a cuatro dedos entre la parte frontal del cojín de la silla de ruedas y el respaldo de la rodilla del usuario.
3. Apriete los pasadores inferiores del armazón del respaldo.

Ajuste del ángulo del respaldo

El ajuste del ángulo del respaldo se realiza usando los tornillos de las abrazaderas "de deslizamiento" superiores, que se ven a los lados del armazón del respaldo. Es posible realizar un reclinado de 23° sin perder la profundidad del asiento. El ángulo máximo posible es de 39°.

1. Use un desarmador de cabeza plana para girar el tornillo superior, a fin de asegurar la abrazadera del "gancho" superior en cualquier lado del respaldo. Gire los tornillos una vuelta completa para aflojarlos. La abrazadera del "gancho" debe deslizarse fácilmente.
2. Después de aflojar los tornillos, ajuste el respaldo hacia atrás o hacia adelante, hasta alcanzar el ángulo deseado, de manera que optimice el campo visual, el equilibrio, la función, el confort y el contacto con el individuo. Cuando haya determinado el ángulo adecuado, apriete el tornillo.

Consejos útiles: Si ajusta el ángulo del respaldo mientras la persona está en la silla de ruedas, asegúrese de sostener el respaldo mientras afloja los tornillos para evitar un movimiento abrupto.

Si el usuario tiene cifosis pronunciada, puede experimentar fatiga en el cuello y un menor campo visual a lo largo del día mientras está sentado en la silla de ruedas. Asegúrese de que el ángulo del Respaldo Jay Care y la profundidad del asiento estén ajustados de manera que mejoren el campo visual, a la vez que maximizan la función del individuo y mantienen el confort.

Si se necesita aumentar el ángulo (el reclinado máximo posible es de 39°), se pueden ajustar los pasadores inferiores hacia atrás, con respecto al armazón. Esto hará que la parte inferior del respaldo se mueva hacia adelante. Sin embargo, esto hará que se pierda profundidad del asiento. Si usa el ángulo máximo, evalúe la silla para ver si necesita barras antivoltcaduras.

Como regla general, mantenga el Respaldo en la posición más vertical posible para permitir que las caderas del usuario se mantengan hacia la parte posterior de la silla de ruedas, y el nivel de sus ojos quede paralelo al piso. Reclinar el respaldo excesivamente puede acentuar el deslizamiento de las caderas, y provocar que el cuello se extienda demasiado hacia el frente.

Cuñas para ajustar el soporte lateral

Si el cliente está en una silla de ruedas demasiado ancha y necesita soporte lateral extra, el Respaldo Jay Care puede alojar dos cuñas de ajuste para el soporte lateral. Estas cuñas están disponibles de manera gratuita, y las puede conseguir con su distribuidor autorizado.

Para usarlas, abra el cierre de la cubierta posterior e inserte las cuñas entre los soportes laterales existentes y el armazón posterior. Asegúrese de que la curva de las cuñas concuerde con la curva de la espuma del respaldo. Los dos deben "acoplarse". Después de colocar adecuadamente las cuñas laterales, asegure el cierre de la cubierta del respaldo y vuélvala a fijar al armazón del respaldo. Las cuñas de soporte hacen más angosto el respaldo por 2.5 cm (1 pulgada) en cada lado.

Modificaciones

Si el usuario tiene cifosis pronunciada, puede adentrarse más en la espuma del respaldo cortando las secciones "en cubo" del respaldo. Esta modificación debe hacerse en el área del ápice de la cifosis. La espuma puede cortarse fácilmente con un cuchillo eléctrico. El área lateral de la espuma del respaldo también se puede cortar hasta por 1 cm (1/2 pulgadas) en cada lado para alojar a una persona más ancha.

Importante

En muchas sillas de ruedas de instituciones, los postes del respaldo podrían impedir el uso efectivo del Respaldo Jay Care. Cuando se retira la tapicería de estas sillas de ruedas, los postes del respaldo giran hacia afuera mientras suben. Esto genera una tensión excesiva en el Respaldo Care. En este caso, debe usar los Accesorios de Extensión (M-301) en el Respaldo Care. Se puede instalar en Sunrise Medical, o se puede ajustar en el campo. El Pasador Inferior y el Gancho Superior de los Accesorios de Extensión del Respaldo Care se extienden para acoplarse mejor a los postes. Todos los demás accesorios quedan igual. Llame a su proveedor autorizado para obtener asistencia.

PRECAUCIÓN: Si no utiliza los Accesorios de Extensión, el respaldo podría desprenderse accidentalmente de la silla de ruedas, provocando que el usuario se caiga de la silla.

PRECAUCIÓN: No mueva la silla de ruedas empujándola hacia el Respaldo Jay Care. Esto podría ocasionar que el respaldo se desprenda accidentalmente de la silla de ruedas, provocando que el usuario se caiga de la silla.

FÁCIL LIMPIEZA Y REARMADO PARA EL RESPALDO JAY CARE

Limpiéza de la funda del respaldo

Saque el inserto de espuma del armazón del respaldo. Abra el cierre, retire la espuma y volteé la funda al revés, ciérrela para evitar que se enganche. Si es necesario, tome nota de dónde están colocadas las cuñas lumbares para asegurarse de volverlas a colocar bien. Lave en lavadora con agua tibia. Seque en secadora a temperatura media.

La funda de Secado Rápido es 100 % de gamuza sintética que "repele" la humedad de la piel, y permite que la tela se seque muy rápido.

NOTA: No limpie en seco ni use lavadoras y secadoras industriales para limpiar la funda. No esterilice mediante vapor a presión. No use blanqueador.

Vuelva a colocar la espuma en la funda y ciérrela. La etiqueta "Superior" de la cubierta debe estar en la parte superior y posterior de la espuma. Asegúrese de que la funda quede bien ajustada, con las costuras alineadas con los bordes de la espuma.

Vuelva a colocar las cuñas lumbares, si es necesario. Coloque el inserto de espuma en el armazón. Asegúrese de que la etiqueta "Superior" de la funda esté colocada en la parte superior del armazón del respaldo. Presione dentro del armazón del respaldo, de manera que las tiras de Velcro® de la funda concuerden con las tiras de Velcro® del armazón.

Consejos útiles: Si está en una institución, escriba el nombre del cliente en la etiqueta de contenido de la parte posterior de la funda, también llene el adhesivo para el "Nombre" y fíjelo en el armazón del respaldo. Esto garantizará que la funda vuelva a su dueño después de lavarla.

Limpiéza del armazón del respaldo

El armazón puede limpiarse con un paño con agua y jabón. No necesita ningún otro tipo de mantenimiento.

GARANTÍA LIMITADA POR 24 MESES

Todos los Respaldos Jay Care se someten a inspecciones y pruebas rigurosas para proporcionar el mejor servicio. Todos los Respaldos Jay Care cuentan con garantía contra defectos de los materiales o de mano de obra por un período de 24 meses a partir de la fecha de compra, si se usa de manera normal. En caso de presentarse defectos en los materiales o mano de obra dentro del período de 24 meses a partir de la fecha de compra original, Sunrise Medical lo reparará o reemplazará, a su discreción, sin cargo alguno. Esta garantía no se aplica a pinchazos, rupturas o quemaduras, ni a la funda desmontable del respaldo.

Las reclamaciones y reparaciones serán procesadas a través del distribuidor autorizado de Sunrise más cercano. Con excepción de las garantías expresas establecidas en este documento, se excluyen todas las demás garantías, incluidas las garantías implícitas de comercialización y las garantías de idoneidad para un propósito en particular. No existe ninguna garantía que se extienda fuera de la descripción aquí establecida. Los resarcimientos por violaciones de las garantías expresas aquí establecidas se encuentran limitados a la reparación o al reemplazo de los bienes. En ningún caso, las indemnizaciones por incumplimiento de cualquier garantía incluirán daños indirectos ni excederán el costo de los bienes vendidos que no cumplen con las especificaciones.

JAY[®] Care Back

IMPORTANT CONSUMER INFORMATION

NOTICE: *This manual contains important instructions that must be passed on to the user of this product.*

Please do not remove this manual before delivery to the end user.

SUPPLIER: *This manual must be given to the user of this product.*

USER: *Before using this product, read this entire manual and save for future reference.*

Owner's Manual

Dossier JAY^{MD} Care

INFORMATIONS IMPORTANTES POUR LE CONSOMMATEUR

AVIS : *Ce manuel contient des instructions importantes qui doivent être communiquées à l'utilisateur de ce produit.*

Prière de ne pas enlever ce manuel avant livraison à l'utilisateur.

FOURNISSEUR : *Ce manuel doit être remis à l'utilisateur de ce produit.*

UTILISATEUR : *Avant d'utiliser ce produit, lisez entièrement ce manuel et conservez-le pour référence ultérieure.*

Manuel du Propriétaire

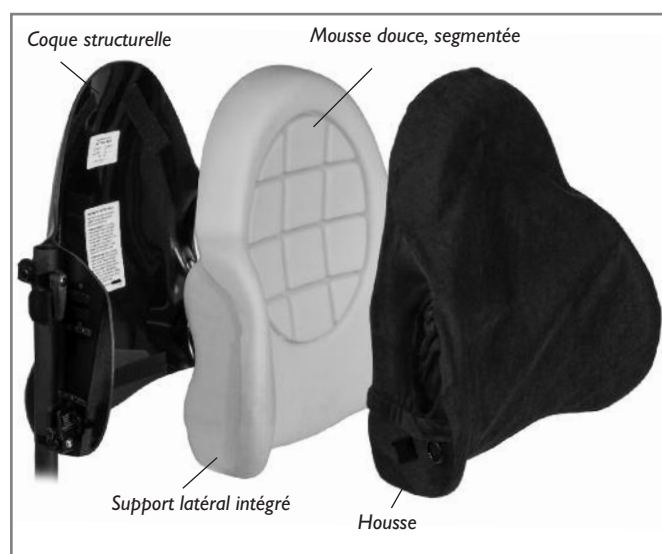


DOSSIER JAY CARE - MODÈLES DE LA SÉRIE 3500

Le dossier Jay Care est conçu pour s'adapter à et soutenir la courbure cyphotique de la colonne vertébrale et fournir un haut degré de confort et de stabilité. Il est conçu pour aider à augmenter la tolérance et la fonction d'assise. Sa construction unique en mousse aide également limiter la pression le long de la colonne vertébrale. En outre, il est léger, durable et facile à régler.

Poids maximum de l'utilisateur : 113 kg (250 lb)

ATTENTION: L'installation d'un dossier sur un fauteuil roulant peut affecter le centre de gravité de ce dernier, le faire basculer vers l'arrière et blesser l'utilisateur. Évaluez toujours la nécessité d'installer des dispositifs anti-basculement ou des supports pour adaptateur d'essieu pour amputé afin d'améliorer la stabilité du fauteuil.



INSTALLATION DU DOSSIER JAY CARE

Le dossier Jay Care est conçu pour remplacer le garnissage par sangles du fauteuil roulant. L'installation initiale doit être réalisée sans l'accessoire en mousse dans la Coque arrière

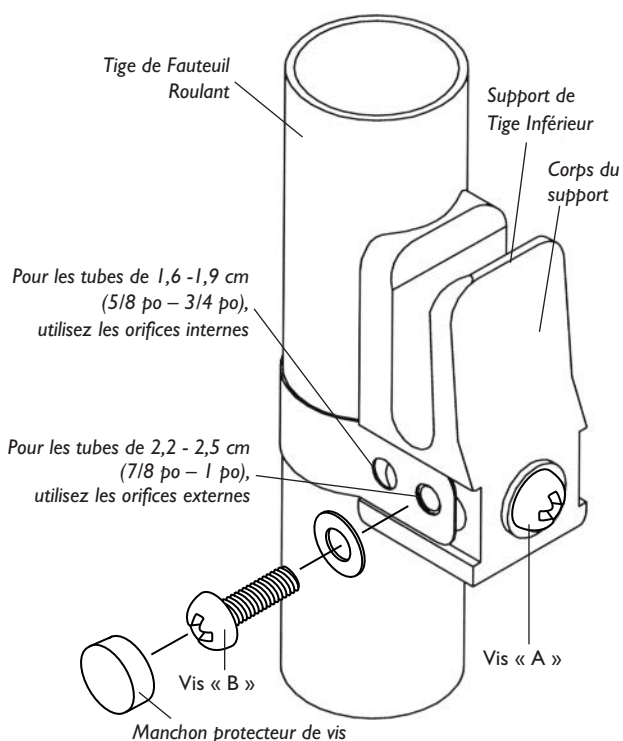
Serrez toutes les pièces de fixation à un couple de serrage de 2,3 N·m (20 po·lb) avec un tournevis cruciforme N° 2.

Installation de la quincaillerie du Support de Tige Universel

1. Enlevez le garnissage par sangles de l'arrière du fauteuil roulant.
2. Fixez un support de tige universel inférieur au bas de chaque tige arrière du fauteuil roulant. (Diagramme 1)
 - a) La quincaillerie universelle est conçue pour s'adapter sur des tubes arrière de diamètre 1,6, 1,9, 2,2 et 2,5 cm (5/8 po, 3/4 po, 7/8 po et 1 po). (Le support est livré monté pour se fixer sur un tube de 2,2 ou 2,5 cm [7/8 po ou 1 po]) Consultez le diagramme 1 pour déterminer quel orifice pour sangle est approprié pour l'installation. Enroulez la sangle autour de la tige du fauteuil roulant. La vis « A » doit être retirée pour aligner l'orifice de sangle avec l'écrou à manchon fileté placé dans le corps du support de tige. Placez une rondelle sur la vis « B » et insérez la vis dans l'orifice approprié dans la sangle.
 - b) Serrez la vis « B » dans l'écrou à manchon fileté sur le côté du corps du support de tige. Serrez la vis opposée si nécessaire.
 - c) Insérez les manchons protecteurs sur les deux têtes de vis.
 - d) Pour régler la hauteur du support, desserrez la vis « A » jusqu'à ce que le support coulisse librement sur la tige arrière. Une fois que la bonne hauteur du dossier est déterminée, serrez la vis. Tous les futurs ajustements de hauteur du dossier sont réalisés avec la vis « A ».

Schéma I

N° de pièce 680C

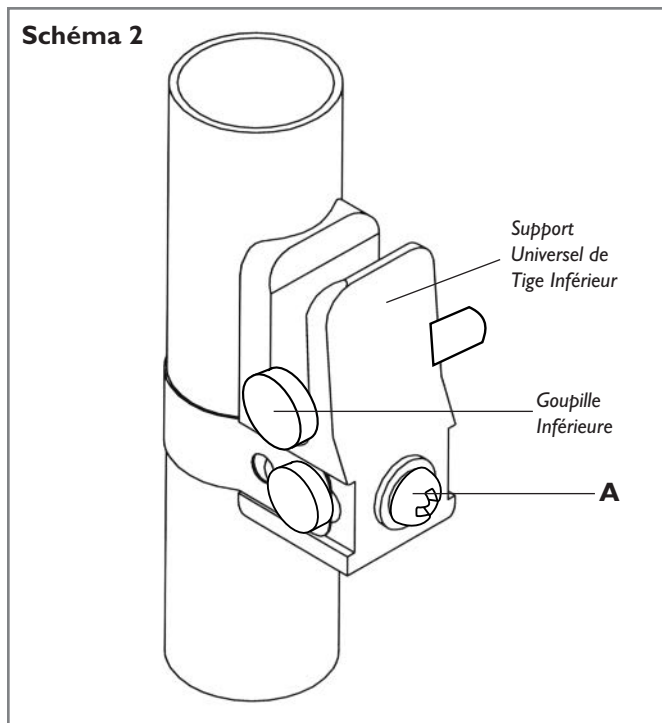


INSTALLATION ET RÉGLAGE DU DOSSIER JAY CARE

Installation du dossier Jay Care

1. Placez le dossier Jay Care dans le fauteuil roulant de sorte que les goupilles inférieures coulisent dans les récepteurs du support de tige universels inférieur. Les crochets supérieurs du Dossier doivent reposer contre les tiges arrière du fauteuil roulant. La tête de goupille inférieure doit dépasser du bord externe du récepteur du support de tige.

REMARQUE: Si le fauteuil roulant est légèrement plus large que les largeurs habituelles 40 cm (16 po), 46 cm (8 po), ou 50 cm (20 po), il peut être nécessaire de commander une quincaillerie rallongée, n° de pièce M-301. Appelez votre fournisseur local agréé.



INSTALLATION DE LA QUINCAILLERIE DU SUPPORT SUPÉRIEUR À LIBÉRATION RAPIDE D'UN QUART DE TOUR

Serrez toutes les pièces de fixation à un couple de serrage de 2,3 N-m (20 po-lb) avec un tournevis cruciforme N° 2.

1. Fixez un support supérieur à libération rapide d'un quart de tour sur chaque tige verticale du fauteuil roulant.
 - a) Le support supérieur à libération rapide d'un quart de tour est conçu pour s'adapter sur des tubes arrière de diamètre 1,6, 1,9, 2,2 et 2,5 cm (5/8 po, 3/4 po, 7/8 po et 1 po). (Le support est livré monté pour se fixer sur un tube de 2,2 ou 2,5 cm [7/8 po ou 1 po]). Consultez le diagramme 3 pour déterminer quel orifice pour sangle est approprié pour l'installation. Enroulez la sangle autour de la tige du fauteuil roulant. La vis « A » doit être retirée pour aligner l'orifice de sangle avec l'écrou à manchon fileté placé dans le corps du support. Placez une rondelle sur la vis « B » et insérez la vis dans l'orifice approprié dans la sangle.
 - b) Serrez la vis « B » dans l'écrou à manchon fileté sur le côté du corps du support. Serrez la vis opposée si nécessaire.
 - c) Insérez les manchons protecteurs sur les deux têtes de vis.

- d) Pour régler la hauteur du support, desserrez la vis « A » jusqu'à ce que le support coulisse librement sur la tige arrière. Une fois que la bonne hauteur du dossier est déterminée, serrez la vis. Tous les futurs ajustements de hauteur du dossier sont réalisés avec la vis « A ».
- e) Faites toujours pivoter le support à libération rapide d'un quart de tour vers la position « DOWN » (Diagramme 4) pour fixer le crochet supérieur en place.

REMARQUE: Le dossier est correctement fixé lorsque les goupilles inférieures reposent dans les supports de tige inférieurs et les supports supérieurs à libération rapide d'un quart de tour sont installés au-dessus des supports de crochets supérieurs du support du dossier avec le mécanisme de libération rapide pointant vers le bas.

ATTENTION: Le support supérieur à libération rapide d'un quart de tour doit être dans sa position vers le bas lorsque le dossier est utilisé. Une mauvaise utilisation pourrait entraîner le détachement accidentel du dossier.

ATTENTION: N'utilisez jamais le dossier Jay Care pour pousser ou pour soulever le fauteuil roulant. Une mauvaise utilisation pourrait entraîner le détachement accidentel du dossier.

Schéma 3

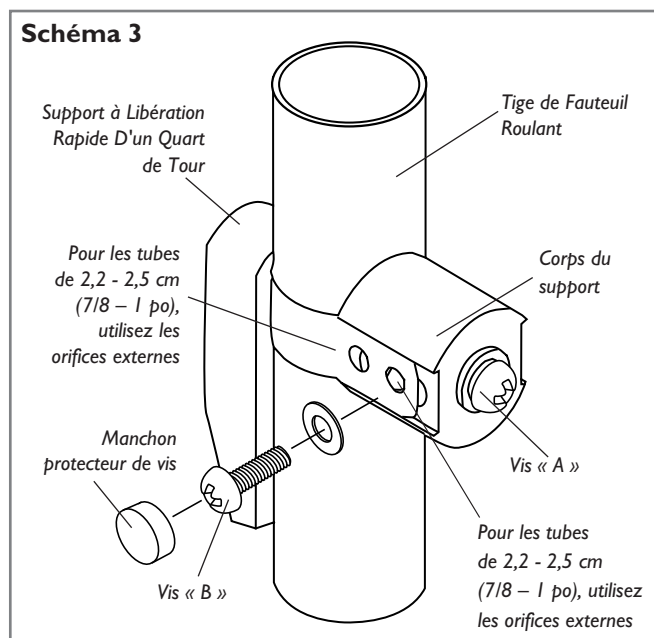
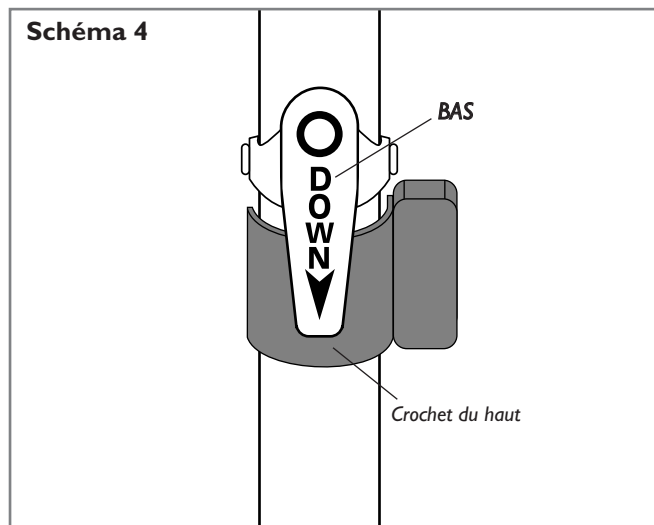


Schéma 4



ADAPTATION DU DOSSIER JAY CARE À L'UTILISATEUR

Serrez toutes les pièces de fixation à un couple de serrage de 2,3 N-m (20 po-lb) avec un tournevis cruciforme N° 2.

Réglage de la hauteur du Dossier

1. Lorsque le Dossier est correctement réglé, les crochets supérieurs doivent reposer confortablement contre les tiges arrière du fauteuil roulant.
2. Réinstallez l'accessoire en mousse du Dossier.
3. Positionnez les hanches de l'utilisateur au fond du fauteuil.
4. Ajustez la hauteur du dossier, avec la quincaillerie supérieure et inférieure assez desserrée pour coulisser sur les tiges arrière. Le Dossier est conçu pour s'adapter à une hauteur qui soutienne le pelvis dans sa position optimale. Pour régler la hauteur du dossier Jay Care, déplacez-le simplement vers le haut ou vers le bas de sorte que les goupilles inférieures soient approximativement au niveau des vertèbres sacrées supérieures, des lombaires inférieures. La partie inférieure du dossier Care doit soutenir les zones lombaires et sacrées, alors que la partie supérieure soutient la zone thoracique. Les supports latéraux doivent s'adapter confortablement autour du bas du torse.
5. Une fois que la bonne hauteur a été établie, serrez les vis « A » sur la quincaillerie supérieure et inférieure.

Réglage de la profondeur du siège

Une fois que la hauteur du dossier a été réglée et que l'individu est correctement positionné dans le fauteuil roulant, réglez la profondeur du siège.

1. Pour régler la profondeur du siège, dévissez les goupilles inférieures sur la coque arrière de deux tours complets avec un tournevis à tête plate.
2. Réglez le bas du dossier pour fournir un support confortable à la zone lombaire et sacrée et pour établir la profondeur du siège. Il faut qu'il y ait un espace de deux à quatre doigts entre l'avant du coussin du fauteuil roulant et l'arrière du genou de l'utilisateur.
3. Serrez les goupilles inférieures de la coque arrière.

Réglage de l'angle arrière

Le réglage de l'angle arrière est réalisé en utilisant les vis de support « coulissantes » supérieures sur les côtés de la coquille du dossier. Une inclinaison de 23° est possible sans perdre de profondeur de siège. Un angle maximal de 39° est possible.

1. Utilisez un tournevis à tête plate pour faire tourner la vis supérieure, en fixant le support « à crochet » supérieur des deux côtés de la coque arrière. Faites tourner les vis d'un tour complet pour dévisser. Le support « à crochet » devrait coulisser librement.
2. Après avoir retiré les vis, réglez le dossier vers l'avant ou vers l'arrière jusqu'à atteindre l'angle souhaité, en optimisant le champ visuel, l'équilibre, la fonction, le confort et le contact avec l'individu. Une fois que le bon angle est déterminé, serrez les vis.

Conseils: Si vous réglez l'angle du dossier pendant que l'individu est dans le fauteuil roulant, assurez-vous de soutenir le dossier lorsque vous retirez les vis pour éviter un mouvement abrupt du dossier.

Si l'utilisateur souffre d'une cyphose prononcée, il peut subir une fatigue du cou et une réduction du champ de vision pendant la journée lorsqu'il est assis dans le fauteuil roulant. Assurez-vous que l'angle et la profondeur de siège du dossier Jay Care sont réglés pour améliorer le champ de vision tout en maximisant les fonctions et le confort de maintien de l'individu..

Si un angle supplémentaire est souhaité (un maximum d'inclinaison de 39° est possible), les goupilles inférieures peuvent être réglées vers l'arrière par rapport à la coque. Cela fera avancer le bas du dossier. Cependant, cela résultera en une perte de profondeur de siège. Si l'angle maximal est utilisé, évaluez le fauteuil roulant pour des barres anti-basculement.

En règle générale, maintenez le Dossier dans la position la plus verticale possible pour toujours permettre aux hanches de l'utilisateur de rester contre le dossier du fauteuil roulant et au niveau de ses yeux d'être parallèle au sol. Une inclinaison excessive peut accentuer le glissement des hanches et une hyperextension du cou vers l'avant.

Cales de réglage du support latéral

Si le client/ est dans un fauteuil roulant trop large et a besoin d'un support latéral supplémentaire, le dossier Jay Care peut accueillir deux cales de réglage de support latéral. Ces cales sont disponibles gratuitement et vous pourrez vous les procurer via votre fournisseur local agréé.

Pour les utiliser, dézippez la housse du dossier et insérez les cales entre les supports latéraux existants et la coquille du dossier. Assurez-vous que la courbe de la cale correspond à la courbe de la mousse du dossier. Les deux doivent « s'accoupler ». Après avoir correctement positionné les cales latérales, refermez la housse du dossier et refixez la coque du dossier. Les cales de support rétrécissent effectivement le dossier de 2,5 cm (1 po) de chaque côté.

Modifications

Si l'utilisateur souffre d'une cyphose prononcée, il peut être encasté davantage dans la mousse arrière en découpant les sections « en cube » de la mousse du dossier. Cette modification doit être réalisée dans la zone de l'apex de la cyphose. La mousse peut être facilement découpée avec un couteau électrique. La zone latérale de la mousse du dossier peut également être découpée jusqu'à 1 cm (1/2 po) sur chaque côté pour accueillir un individu plus large.

Important

Les tiges du dossier sur plusieurs fauteuils roulants institutionnels communs peuvent interdire l'utilisation efficace du dossier Jay Care. Lorsque le garnissage par sangles est retiré de ces fauteuils roulants, les tiges du dossier « ressortiront » lorsqu'elles remonteront. Cela exerce une contrainte excessive sur le Dossier Care. Vous devez utiliser la Quincaillerie Rallongée (M301) sur le Dossier Care dans cette situation. Elle peut être installée chez Sunrise Medical ou vous pouvez l'installer sur le site. La Goupille inférieure et le Crochet Supérieur de la Quincaillerie Rallongée du Dossier Care dépassent d'avantage pour mieux s'engager dans les tiges. Le reste de la quincaillerie reste la même. Appelez votre fournisseur local agréé pour toute assistance.

ATTENTION: Si aucune Quincaillerie rallongée n'est utilisée, le dossier pourrait se détacher du fauteuil roulant de manière inattendue, faisant tomber l'utilisateur du fauteuil roulant.

ATTENTION: Ne déplacez pas le fauteuil roulant en poussant sur le dossier Jay Care. Cela pourrait faire que le dossier se détache du fauteuil roulant de manière inattendue, en faisant tomber l'utilisateur du fauteuil roulant.

NETTOYAGE ET RÉASSEMBLAGE FACILES POUR LE DOSSIER JAY CARE

Pour nettoyer la housse du dossier

Retirez l'accessoire en mousse de la coque du dossier. Dézippez, retirez la mousse et retournez la housse vers l'extérieur, remontez la fermeture éclair pour éviter tout problème. Le cas échéant, notez où les cales lombaires sont placées pour assurer un réassemblage correct. Lavage à la machine à l'eau tiède. Séchage dans une sècheuse à chaleur moyenne.

La housse à Séchage Rapide est en velours 100 % synthétique qui « évacue » l'humidité de la peau, en laissant le tissu sécher à une vitesse accélérée.

REMARQUE: La housse ne doit pas être nettoyée à sec, ni lavée ou séchée dans des machines industrielles. Elle ne doit pas être lavée à la vapeur (dans une autoclave). N'utilisez pas d'eau de Javel.

Remplacez la mousse dans la housse et remontez la fermeture éclair. L'étiquette « Top » de la housse doit toujours être vers le haut, à l'arrière de la mousse. Assurez-vous que la housse s'adapte correctement en alignant les coutures avec le bord de la mousse.

Remplacez les cales lombaires le cas échéant. Placez l'accessoire en mousse sur la coque. Assurez-vous que l'étiquette « Top » sur la housse est en haut de la coque du dossier. Appuyez sur la coque du dossier, en faisant correspondre les bandes VelcroMD sur la housse avec les bandes VelcroMD sur la coque.

Conseil: Dans un cadre institutionnel, inscrivez le nom du client sur l'étiquette de contenu sur la housse du dossier et complétez l'étiquette « Nom » jointe et installez-la sur la coque du dossier. Cela permettra de récupérer la housse après le lavage.

Pour nettoyer la coquille du dossier

Elle peut être époncée avec de l'eau et du savon. Aucun autre entretien ne devrait être nécessaire.

GARANTIE LIMITÉE DE 24 MOIS

Chaque dossier Jay Care est soigneusement contrôlé et testé pour garantir des performances optimales. Chaque dossier Jay Care est garanti contre tout défaut de pièces et de main-d'œuvre pendant 24 mois à compter de la date d'achat, dans des conditions normales d'utilisation. Si une défaillance matérielle ou mécanique se produisait dans les 24 mois suivant la date d'achat initiale, Sunrise Medical s'engage, à sa discrétion, à réparer ou à remplacer gratuitement le système. Cette garantie ne couvre pas les trous, les déchirures ou les brûlures ni à la housse amovible du dossier.

Les réclamations et les demandes de réparation doivent être traitées par le fournisseur agréé le plus proche. À l'exception des garanties expresses mentionnées dans le présent manuel, toutes les autres garanties, y compris les garanties implicites de valeur marchande ou d'adaptation à un usage particulier, sont exclues. Aucune garantie ne s'étend au-delà de la présente description. En cas de non-respect des garanties expresses mentionnées, le recours du client se limite à la réparation ou au remplacement du produit. Les dommages causés par le non-respect d'une garantie ne peuvent en aucun cas inclure des dommages indirects ou excéder la valeur des biens non conformes vendus.