



## HEIGHT ADJUSTABLE BATH RAIL

### Lifetime Limited Warranty

If you have a question about your MOBB Healthcare device or this warranty, please contact an authorized MOBB Healthcare dealer.

MOBB Healthcare warrants to the original consumer purchaser for as long as they own their MOBB product that it will be free from defects in material and workmanship under normal use. This warranty is only applicable to products used in residential applications within the United States and Canada and is not transferable to subsequent owners. Should defects in material or workmanship exist during the applicable warranty period in any MOBB Healthcare Product, MOBB Healthcare will elect at its discretion to either repair or replace the defective material. This warranty covers only parts and materials of the products supplied by MOBB Healthcare. Not covered under this warranty are wear and tear items or abuse of the product in a manner that was not intended for the product to be used. This warranty shall become void if the product is in any way modified, improperly adjusted or abused.



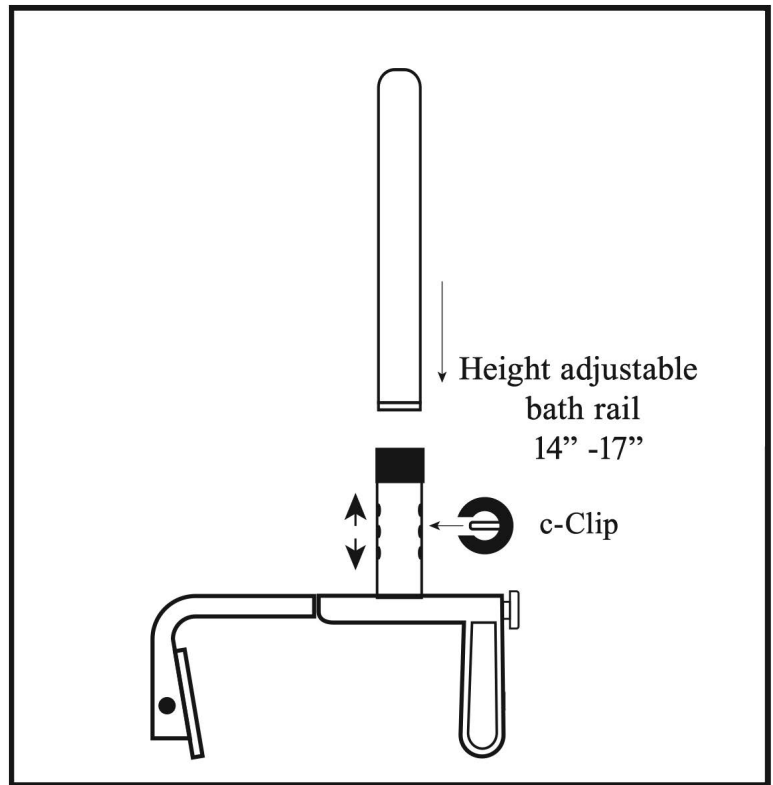
weight capacity: 300 lbs

# ASSEMBLY, INSTALLATION & SAFETY INSTRUCTIONS

ALWAYS CONSULT WITH YOUR HOME HEALTH CARE PRODUCT RETAILER FOR PROPER FITMENT AND OPERATION.

## ASSEMBLY

To adjust to the required height use c-Clips in the appropriate holes.



## INSTALLATION

Place the rail over tub side, and tighten the clamp to the bathtub.

## SAFETY INSTRUCTIONS

- Before use, verify that the Bathtub Safety Rail is secured by pulling it from side to side and front to back.
- The safety rail should be checked tightening every time before usage. Check periodically and tighten again when needed.

