



# HUMAN CARE

Your Life. Your Way.



## Lena

User Manual



# Content

---

<b>User Manual (Eng)</b>	<b>3</b>
<b>Product Description Part no: 71806, 71808</b>	<b>3</b>
<b>Safety instructions</b>	<b>4</b>
<b>Technical specification</b>	<b>5</b>
<b>Assembly instructions</b>	<b>6</b>
<b>Placing the Lena Freestand correctly</b>	<b>8</b>
<b>Troubleshooting</b>	<b>8</b>
<b>Inspection, care and maintenance</b>	<b>9</b>
<b>Accessories</b>	<b>9</b>

## Product Description Part no: 71806, 71808

ENG

The Freestanding frame offers you a possibility of lifting and moving a patient up to 300kg (650lbs) easy and safe without straining the patient as well as the caregiver during the lift- and moving moments. The lift is used for lifting and moving patients e.g. from a bed, wheelchair, bath/shower and from the floor. The Freestanding frame can, with extra equipment, be used for weighing a patient.

**Note! The lift is ordered separately.**



**“Caution!” triangles are used to notify of situations that demand extra care and attention**

### **Important!**

**Lifting and transporting a person always involves a risk. It is important to read the instructions for both the lift and the lifting equipment. Always ensure that the equipments that are being used together with the lift is suited for the purpose. As caregiver you are responsible for the safety of the patient and need to be aware of the patient’s ability to manage the lifting situation.**

**Do NOT move or transfer the freestanding frame when being used with a patient. If there are any doubts, please contact the supplier.**





## Before use, ensure that:

- you have read and understood the instruction guides for the lift cassette and lifting accessories
- personnel using the equipment have received appropriate instruction and training
- the lift cassette is connected according to the instructions
- the lifting accessories are not damaged
- lifting accessories are correctly applied to the lift cassette
- you have selected the correct type, size, material, and design of slings and accessories to safely meet the patient's needs
- the lifting accessory is correctly and securely applied to the patient, so that no personal injury can occur.



## Check list before use

- 1) Foot, pole and rail profiles are assembled correctly
- 2) The rail roller is in place and rolls freely in the rails
- 3) All screws are tightened and the washers are in correct position
- 4) Ensure rail profile is level

See [www.humancare.se](http://www.humancare.se) for more information on slings, rail systems and other accessories.



***Warning! Product modifications is strictly forbidden without approval from manufacturer***

Weight capacity: 300 kg / 661 lbs

## Dimensions

Height 2300mm/91"

Length 2650mm/104" (71806)

Length 3150mm/124" (71808)

Width 998mm/39"

## Material

Rail, powder coated extruded aluminium (White)

Pole and foot, powder coated steel (White)

## Included parts:

- Rail 2,5 m or 3 m - 1pc
- Pole package, 2 pc
- Legs package, 2 pc
- Plate with screw 4pc
- Locking nut M10 4pc
- Locking plate 6pc
- Adjustable damper 2pc
- Rail roller 1pc
- Distance strap 1pc
- Rail nut 2pc
- Screw M10x30 2pc

## Tools for assembly

- Allen key 8mm and 6mm
- Philips screwdriver 5.5mm
- Flexible ended wrench 10 mm

## Product label

The product label contains information concerning the equipment.

The freestanding frame is tested by an accredited testing institute and comply with the requirements of directives for medical technical Class I products.



## Symbols on the unit



Type B product



Warning

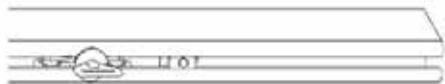


User manual: Read and understand the manual before the product is used.

1.

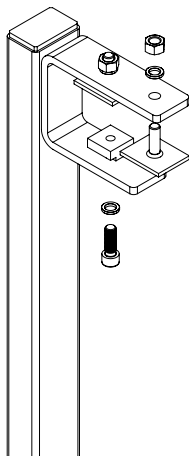
Place the rail roller in the rail. Note the nylon washer that sits on the shoulder of the loop.

Mount the adjustable damper (2x) about 30 cm from both ends of the rail.



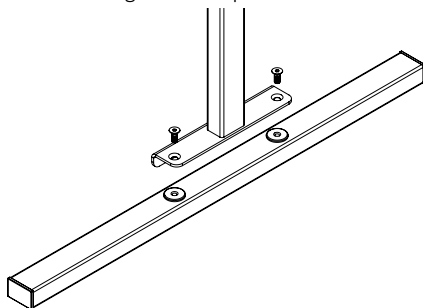
2.

Fit the plate with screw and nut rail as shown for both poles. Do not tighten nuts and screws to allow mounting rail.



3.

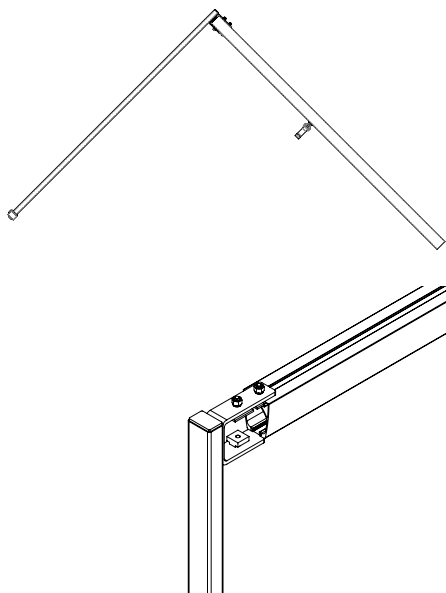
Attach the legs on each pole.



**Note! We recommend that the following steps are done by 2 persons**

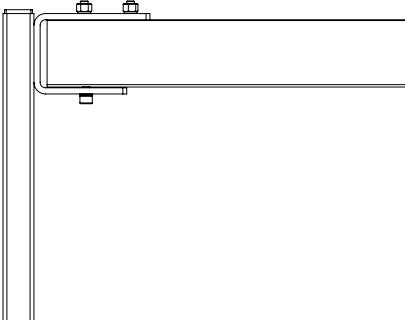
4.

Place the rail and one of the poles mounted as illustrated. Insert plate with screws and rail nut into the rail.



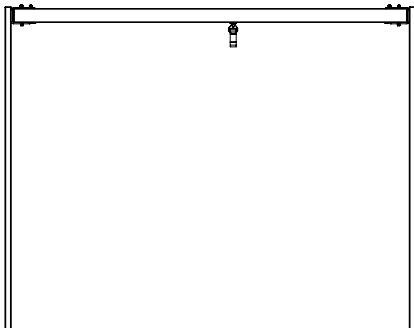
5.

Ensure that the assembled pole is mounted on the rail as shown before the screws and nuts are tightened.



6.

Mount the second pole as illustrated. Ensure that the assembled pole is mounted on the rail before the screws and nuts are tightened.



Check and tighten all nuts and bolts.

# Placing the Lena Freestanding correctly

ENG

The freestanding frame must always be positioned directly below the centre of gravity. If the freestanding frame is positioned incorrectly, it will adversely affect the stability.



**Do not place the freestanding frame at an inclined angle of more than 5° in any direction.**



**Do NOT move or transfer the freestanding frame when being used with a patient.**

Incorrect position



Correct position



# Troubleshooting

ENG

The rail roller does not run smoothly.

- 1) Check if there is something jammed in the rail
- 2) Check the rail roller wheels for damage
- 3) Check that the nylon washers on the axis of the loop is correctly positioned under the rail.



## Care of the freestanding frame

- When necessary the freestanding frame can be cleaned with a damp cloth and dishwashing liquid. Do NOT use strong detergents. Dry with a dry cloth after.
- Never flush the freestanding frame with water or other liquids.

## Service agreements

Human Care invites you to sign a service agreement for regular maintenance and testing.

## Storage

The climatic conditions should be as follows, an ambient temperature from 0 °C to 50 °C,

relative humidity from 30 % to 80 % and air pressure from 790 hPa to 1060 hPa.

## Recycling

Rejected freestanding frames can be returned to Human Care for recycling. For information concerning accessories and technical documentation, see our website.

## Annual inspection

The freestanding frame must be inspected at least once a year by Human Care authorized personnel. Pay particular attention to parts that show wear. Service and maintenance are to be performed by Human Care authorized personnel using original spare parts.