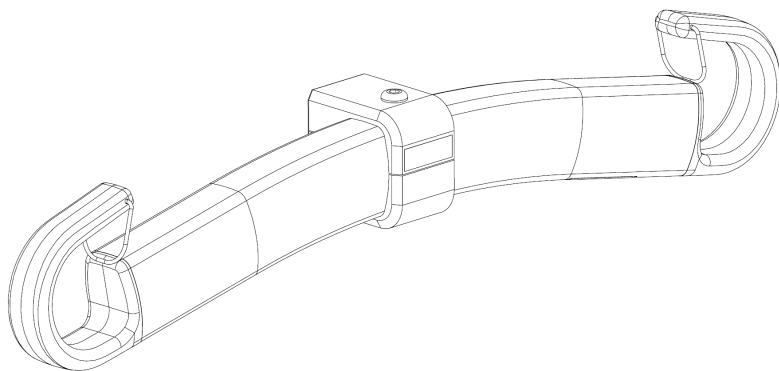
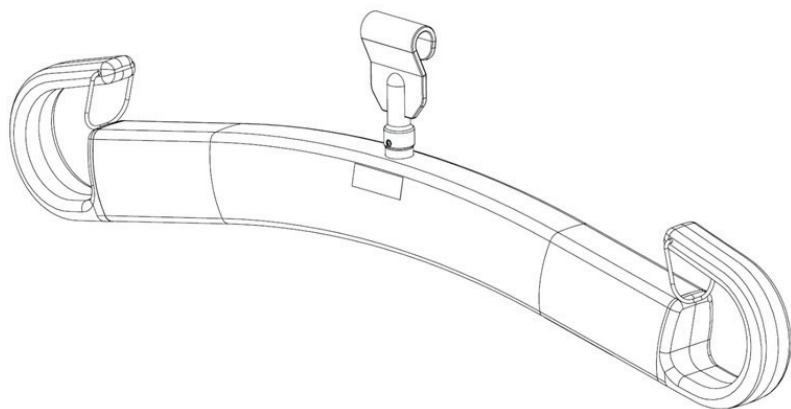




# HUMAN CARE

Your Life. Your Way.



## Bruksanvisning/ User manual

Lyftbygel / Hanger Bar



Part no: 55751, 55764

# Contents

## ENGLISH

Important instructions before use	10
Preparations before use	11
Technical specifications	12
Product description	12
Intended use	13
Product label	13
Symbols of the unit and product label	13
Attaching to HeliQ	14
Attaching to Altair or Roomer S	15
Care instructions	16

# User manual Hanger Bar

ENG

Part no: 55751, 55764



**The “WARNING!” triangle is used when particular attention is required.**

*Read these instructions carefully before using the product. It is important that the device is only used with the appropriate Human Care products.*

## Important instructions before use

ENG

### Safety instructions

**Before using the Hanger Bar for the first time, make sure that:**

*You have read and understood the instructions for use of the Hanger Bar, the lift it is attached to and all of its accessories.*

*The Hanger Bar has been installed in accordance with the user manual.*

*The accessories which are intended for use with the Hanger Bar are correctly fitted.*

*Before use, always check that the device is not damaged or worn. Especially the lift hooks should be free of any cracks.*

*Warning: Product modification is not permitted.*

*Don't drop the hanger bar. If dropped, perform a visual inspection of the hanger bar and replace the complete hanger bar in case there are any cracks.*



***Important! The Hanger Bar is designed exclusively for lifting people, and only one person at a time.***

Human Care's products are continuously being developed and updated to provide our customers with the best products, we reserve the right to make design changes without prior notice.

## Before and during use, always ensure that:

You read and ensure you understand this user manual.

Personnel, who use the equipment, have been given adequate training in the use of the Hanger Bar and its accessories.

You should never leave the patient unattended during a lifting situation.

The lift belt is not twisted or worn and that it can move freely in and out of the lift.

Accessories, e.g. loop slings and hanger bar, are showing no signs of wear or other damages.

The lift is correctly suspended in the distance strap, rail roller and rail.

The right types, sizes, materials and designs of the accessories have been selected with respect to the patient's safety and needs.

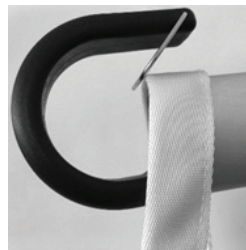
The accessories have been correctly installed as described in the manual. The sling's strap loops and suspension must be checked once the loops are fully extended when lifting but before the patient is lifted from the underlying surface.

It is important to always check that the slings are at the bottom of all sling hooks securely placed below the locking pin (see picture below).

Correct



In-correct



Human Care provides suitable training in safe operation of the Hanger Bar and other accessories. Further information about slings and other accessories can be found at [www.humancaregroup.com](http://www.humancaregroup.com).



**Important! If the maximum load differs between lift, Hanger Bar and slings, then the lowest maximum load shall always be used.**



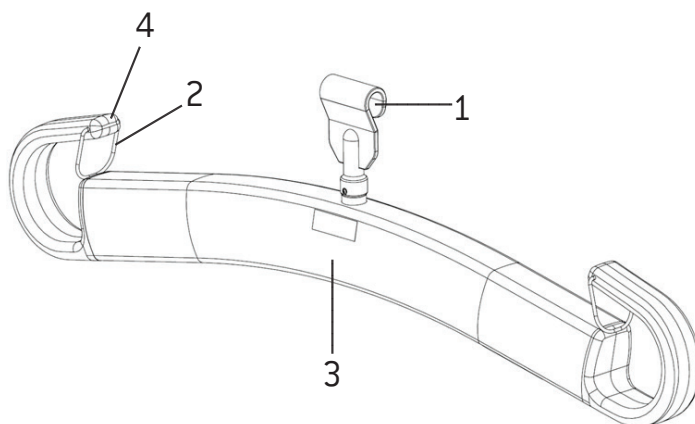
**Important! To ensure that the lift belt will not be damaged, it is important that the Hanger Bar is balanced and that the sling is suspended correctly. Never hold or pull the lift belt and the Hanger Bar when moving a patient. It is also important that the lift belt is tensioned as it is wound in.**

	Hanger Bar for Altair/Roomer S		Hanger Bar for HeliQ		
Art. No.:	55751	55764	72754	72755	72757
Lifting capacity:	300 kg / 661 lb				
No. of possible connection points	2, 3 and 4		2		
Width:	45 cm / 17.7 in	55 cm / 21.7 in	35 cm / 13.8 in	45 cm / 17.7 in	60 cm / 23.6 in
Weight:	1,2 kg / 2.6 lb	1,5 kg / 3.2 lb	0,9 kg / 2.0 lb	1,1 kg / 2.4 lb	1,3 kg / 6.6 lb
Available accessories:	Full line of Human Care Loop Slings				

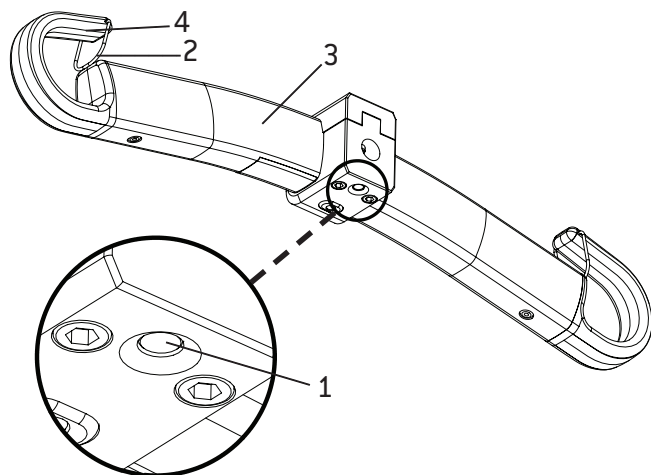
## Intended use of the sizes:

- 35 cm for children and slim patients.
- 45 cm for adults and appropriate for most of the lifting situations.
- 55 cm / 60 cm for patients who require more space in the sling because of broad-shouldered, obese or sensitivity to pressure.

## Product description Hanger Bar for HeliQ



Item No.	Description
1.	Hook for lift
2.	Locking Clip
3.	Hanger Bar Profile
4.	Hook for sling

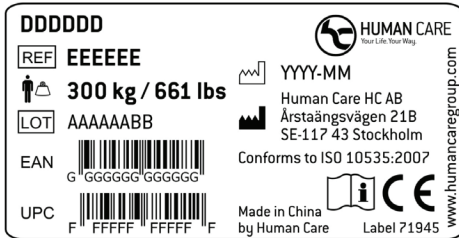


Item No.	Description
1.	Release button
2.	Locking Clip
3.	Hanger Bar Profile
4.	Hook for sling

## Intended use

The Hanger Bar is designed exclusively for lifting people, only one person at a time, and shall never be held during lifting. The Hanger Bar has been tested for indoor use with Human Care loop slings only.

The product labels contain information about the hanger bars. One label is located underneath the hanger bar. The other label is located straight from the front of the hanger bar (72754, 72755, 72757) or on the top of the hanger bar (55751, 55764).



## Symbols on the unit and product label

	Catalogue number symbol
EEEEEE	Item number
	Max. load
	Batch code symbol
EAN	International article number
UPC	Universal product code
	Manufacturing date
	Manufacturing address
DDDDDD	Product name
Label	Label item number

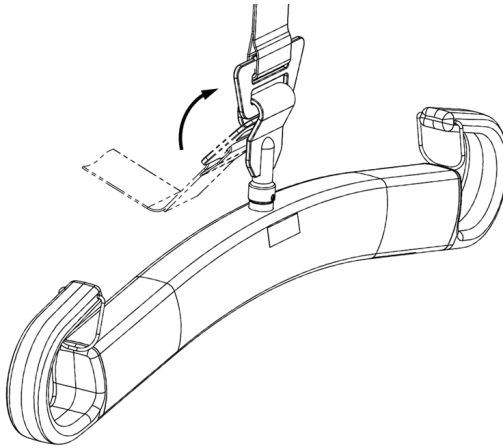
	CE mark
	Human Care
	Don't drop the hanger bar
	Perform a visual inspection
	QR code to our webpage
	Particular attention is required

## Installation

The attachment shall only be conducted by trained personnel.

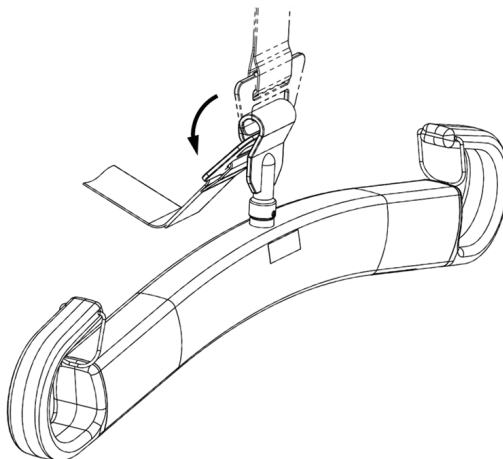
### Attach the Hanger Bar to the Overhead Lift HeliQ

Feed out enough of the belt and connect the Hanger Bar to the loop on the lift belt by threading the loop diagonally upwards until the tension of the belt is released, see figure below. The product is now ready for use.



### Detach the Hanger Bar from the Overhead Lift HeliQ

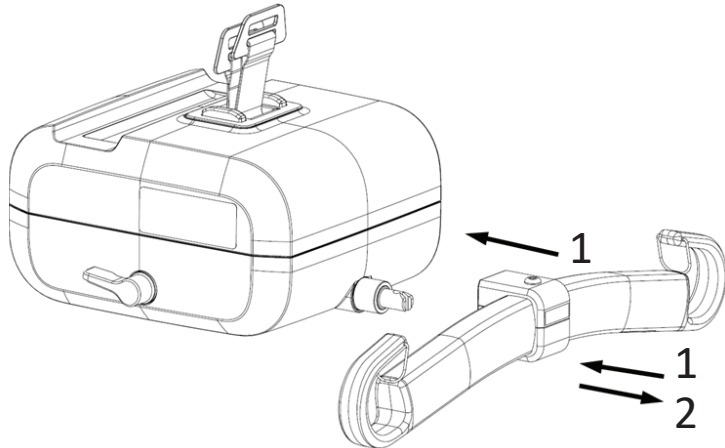
Feed out enough of the belt, until the tension of the belt is released, and disconnect the Hanger Bar from the loop on the lift belt by threading the loop diagonally downwards, see figure below. The product is now fully detached.





## Attach the Hanger Bar to the Overhead Lift Altair or Roomer S

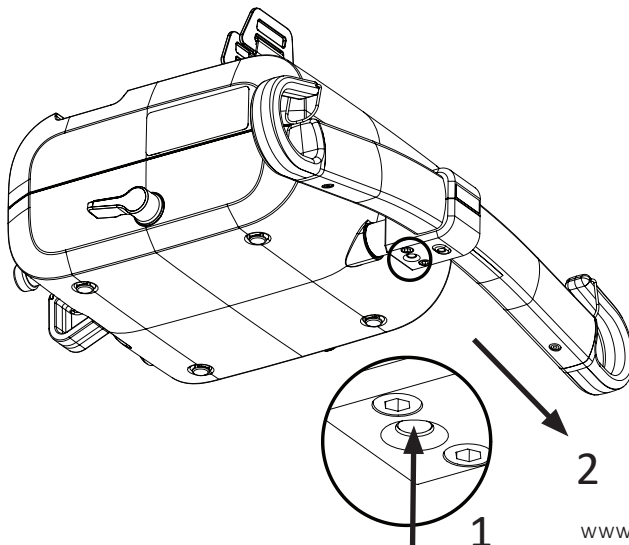
Before connecting the Hanger Bar to the lift, make sure that both the shaft on the lift and the Hanger Bar hole are properly cleaned. Connect the Hanger Bar to the lift by pushing it (1) onto the shaft until you hear a click sound. Make sure the Hanger Bar is fully attached by pulling it towards you and pushing it away from you, and check that the release button is fully popped out (2). The product is now ready for use.



**Important! Never press the release button when performing a lift.**

## Detach the Hanger Bar from the Overhead Lift Altair or Roomer S

Disconnect the Hanger Bar from the lift by pressing the release button (1) and then pulling the Hanger Bar out from the shaft, (2) see figure below. The product is now fully detached.



## Annual inspection

The Hanger Bar shall be inspected visually before every lift by the caregiver and at least once a year by someone with Human Care qualifications and in accordance with Human Care's directive. Pay particular attention to parts that show wear.

## Cleaning

When cleaning the surface and hole of the Hanger Bar only use acid- and chloride-free detergents, like warm water or a soap solution, with a soft cotton swab. Carefully clean the hole. The cleaning sessions shall always end with water rinse and drying with a swab. The product shall be dry before attaching to the lift.

## Disinfecting

If the Hanger Bar needs to be disinfected, the surface of the entire product can be cleaned using disinfectants, 70% ethanol, 45% isopropanol or similar should be used.

## Service

Installation, service and maintenance shall only be performed by personnel with Human Care qualifications and in accordance with Human Care's directive. Only original spare parts may only be used.

## Expected service life

The Hanger Bar is tested accordingly EN ISO 10535, which means it functions for 11 000 lifting cycles at maximum lifting capacity or for 10 years with correct service and maintenance.

## Recycling

Once the product has reached the end of its technical life, it must be disposed of in constituent parts according to local authorities. Metal parts must be treated as metal waste for optimum recycling. Plastic parts can be sorted as residual waste.

**The latest version of the instructions of use is always available at our website, [www.humancaregroup.com](http://www.humancaregroup.com).**

## Troubleshooting

Description	Action
The lifting hooks show a crack.	Replace the complete hanger bar for a new hanger bar. Discard the broken hanger bar.
Nothing happens when trying to lift a person.	Please go through the troubleshooting in specific lift user manual.
The Hanger Bar cannot be detached from the Altair or Roamer S lift.	Make sure the release button is fully pressed in and the Hanger Bar is unloaded before trying to detach the Hanger Bar from Altair or Roamer S lift.
The loop slings cannot be detached from the Hanger Bar.	Make sure the locking clip is folded up when removing the loop slings.