

# Aura On Arm™

## RING LAMP

U35480

Fact Sheet



Unique bright and flexible ring light featuring a super smooth extendible arm for effortless positioning. Its continuous dimmer switch allows seamless adjustment of brightness levels. The pivoting ring joint directs light precisely where needed and the strong wall and table mount provides universal fixing on any flat surface.

Durable and streamlined design, perfect for professional Hair and Makeup Studios, Barber Shops, Tattoo Artists, and more.

---

4,500 lux at 12"

---

---

90+ CRI

---

---

6,000K Daylight

---



LIGHT QUALITY



ERGONOMICS

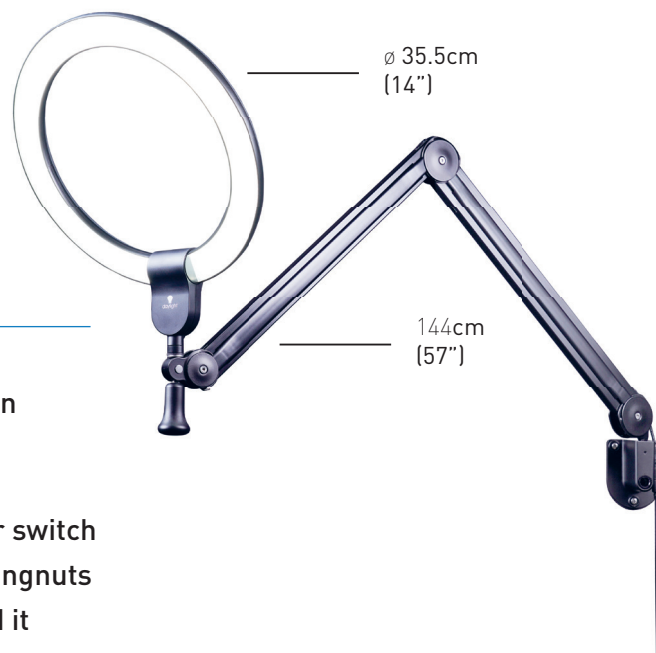


DESIGN

# Aura On Arm™

U35480

## RING LAMP



## FEATURES

- Bright, flexible and easy to operate ring light with an extendible arm
- High quality daylight LEDs
- Set the mood smoothly with the continuous dimmer switch
- Durable design for effortless positioning without wingnuts
- Pivoting head joint and directs light where you need it
- Mountable on any flat surface (wall, table)
- Ideal for Hair and Make up Studios, Barber Shops, Tattoo Artists and more

## SPECIFICATIONS

### Product information

Weight	7.2lb
Color	Black
Cable length	138"

### Light output

Light source	LED
Lumens	2,100
Lux at 30cm	4,500
Color temperature	6,000K
CRI	90+
Energy consumption	23W

### Packaging information

Height	17"
Width	26"
Depth	4"
Packed weight	7lb
Products per master carton	2



daylight

when light matters