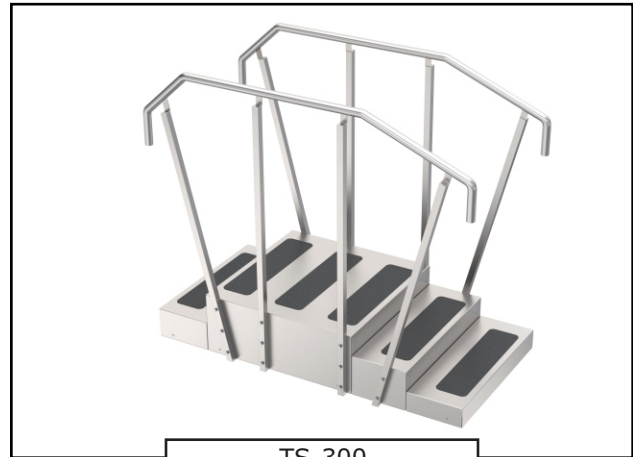
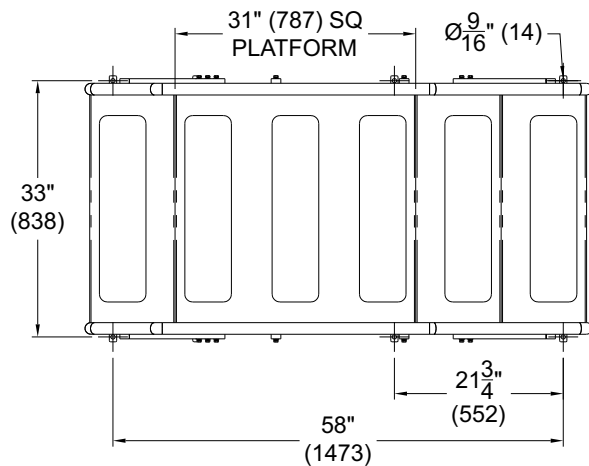




STAINLESS STEEL TRAINING STAIRS MODEL TS-300

STANDARD FEATURES

- All Stainless Steel Construction
- 1-1/2" Diameter Handrails
- Steps descend from both sides
- Slip Resistant Material adhered to Tread



TS-300

Fixture May Show Some Available Options

SPECIFICATIONS

Unit is fabricated of 14 gage type 304 stainless steel with exposed exterior surfaces polished to a satin finish. Provides 11" deep Treads with three 4" high Risers on one side and two 6" high Risers on the opposite side.

Model: TS-300
Top Platform: 31" x 31"
Overall Dims: 64" L x 34-1/4" W x 55-3/16" H
Weight Capacity: 800 lbs.

