

MAG Lamp STM

MAGNIFIER

Fact Sheet



Easy to operate

With a modern and aesthetically pleasing design, the MAG Lamp S is your ideal companion when carrying out detailed tasks or treatments. With 2 brightness levels, a 12.7cm [5"] glass lens and adjustable spring arm, you can position this magnifier exactly where you need it and choose the most suitable brightness setting for your task at hand.



LIGHT QUALITY ERGONOMICS DESIGN



daylight

when light matters

LED 6,000 K daylight

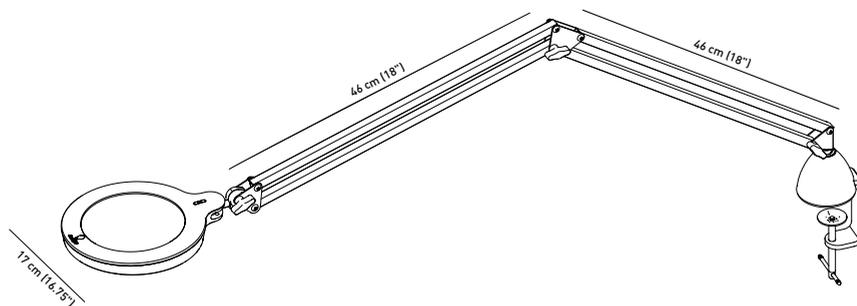
5,300 Lux at 15 cm (6")

2 brightness levels

MAG Lamp S™

UN1200

MAGNIFIER



FEATURES

- Modern and attractive slim design
- 13 cm (5") glass lens with 3 diopter (1.75X) magnification
- Bright daylight LEDs
- 2 brightness levels
- Easily adjustable spring arm
- Maximum reach 110 cm (43")

SPECIFICATIONS

Product information

Weight	1.5 kg (3 lb)
Colour	White
Cable length	2 m (83")

Light output

Light source	LED
Lumens	406 lm
Lux at 15 cm (6")	5,300
Color temperature	6,000 K
CRI	80
Energy consumption	12W

Packaging information

Height	9 cm (3")
Width	72 cm (28")
Depth	25 cm (10")
Packed weight	2.5 kg (5 lb)
Products per master carton	4