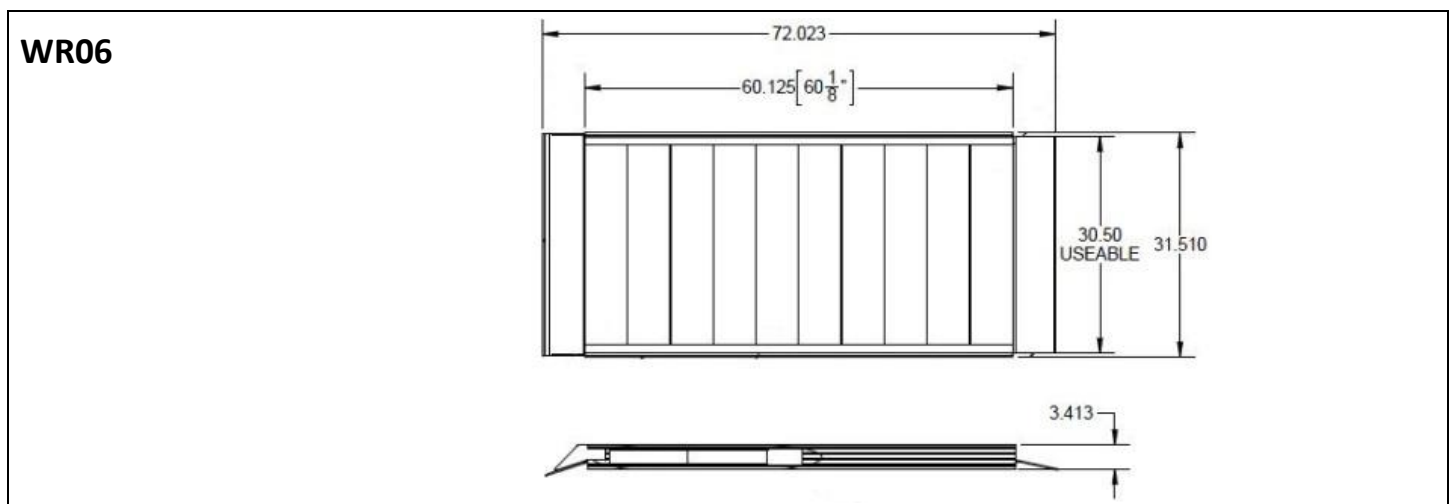
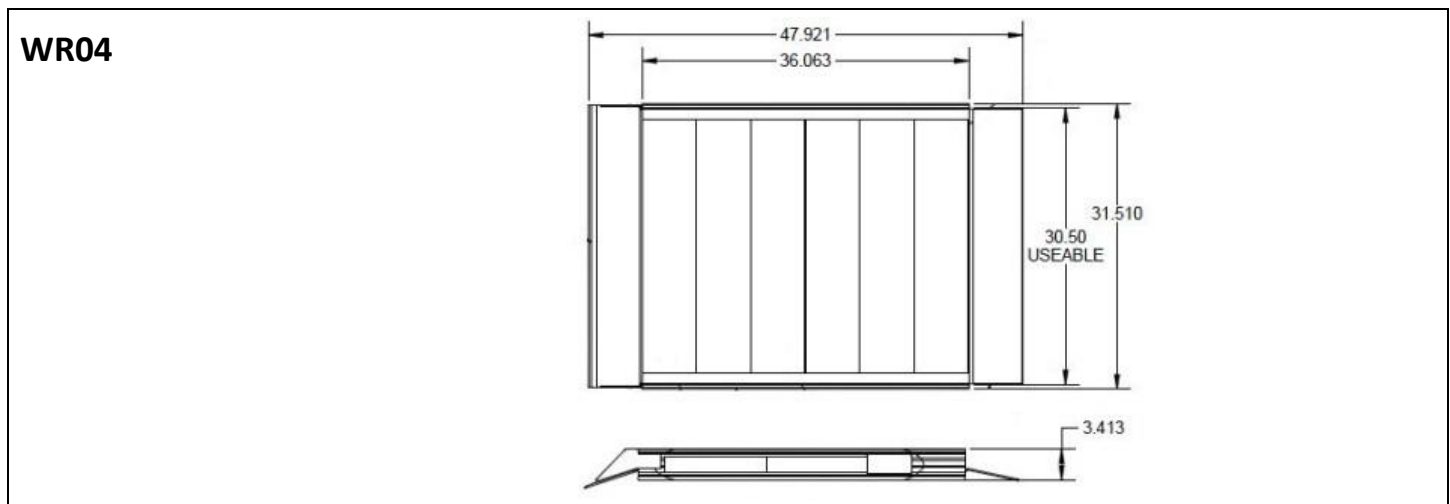




TRAVERSE™ Walk Ramp Technical Specifications

MODEL	TRAVERSE WR04	TRAVERSE WR06	TRAVERSE WR08	TRAVERSE WR10	TRAVERSE WR12	TRAVERSE WR14
OVERALL LENGTH	47.921"	72.023"	96.026"	119.996"	144.210"	168.210"
OVERALL WIDTH	31.510"	31.510"	31.510"	31.510"	31.510"	31.510"
USABLE WIDTH	30.5"	30.5"	30.5"	30.5"	30.5"	30.5"
OVERALL HEIGHT	3.413"	3.413"	3.413"	3.413"	3.413"	3.413"
OVERALL TOP LIP TRANSITION PLATE (L x W)	5.92" x 31.25"	5.92" x 31.25"	5.92" x 31.25"	5.92" x 31.25"	5.92" x 31.25"	5.92" x 31.25"
OVERALL BOTTOM TRANSITION PLATE (L x W)	5.59" x 30.38"	5.59" x 30.38"	5.59" x 30.38"	5.59" x 30.38"	5.59" x 30.38"	5.59" x 30.38"
RATED LOAD (DO NOT EXCEED)	1,200 lbs.	1,200 lbs.	1,200 lbs.	1,200 lbs.	850 lbs.	850 lbs.
WEIGHT	33 lbs.	49 lbs.	60 lbs.	74 lbs.	94 lbs.	108 lbs.
WARRANTY	3-Year Limited	3-Year Limited	3-Year Limited	3-Year Limited	3-Year Limited	3-Year Limited

Weights and dimensions are approximate and subject to change.



3-YEAR LIMITED WARRANTY. Please register at www.ezaccess.com/product-registration.
 © EZ-ACCESS®, a division of Homecare Products, Inc. All rights reserved.
 All text and images contained in this document are proprietary and may not be shared, modified, distributed, reproduced, or reused without the express written permission of EZ-ACCESS.



Manufactured in the USA

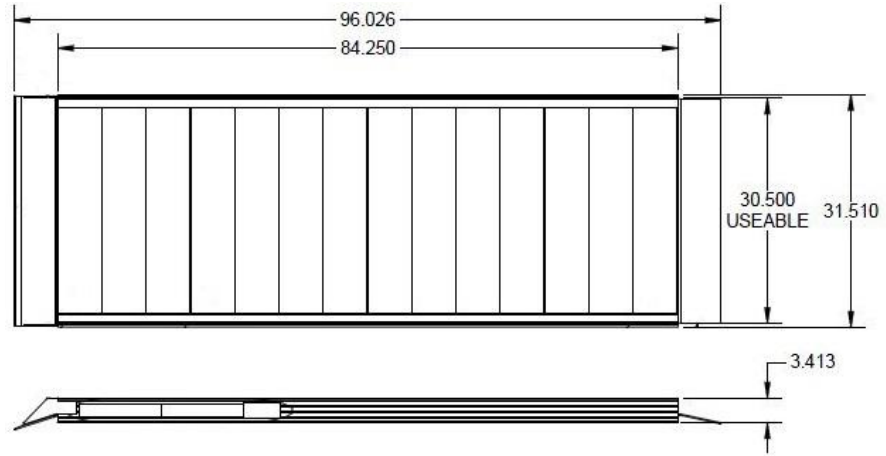
13629 REV 10-23-24



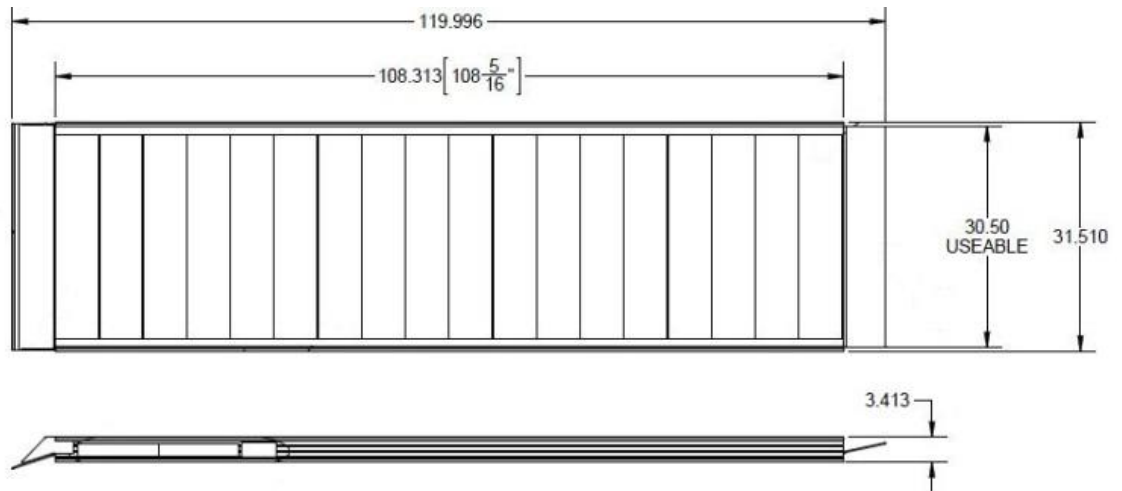


TRAVERSE™ Walk Ramp Technical Specifications

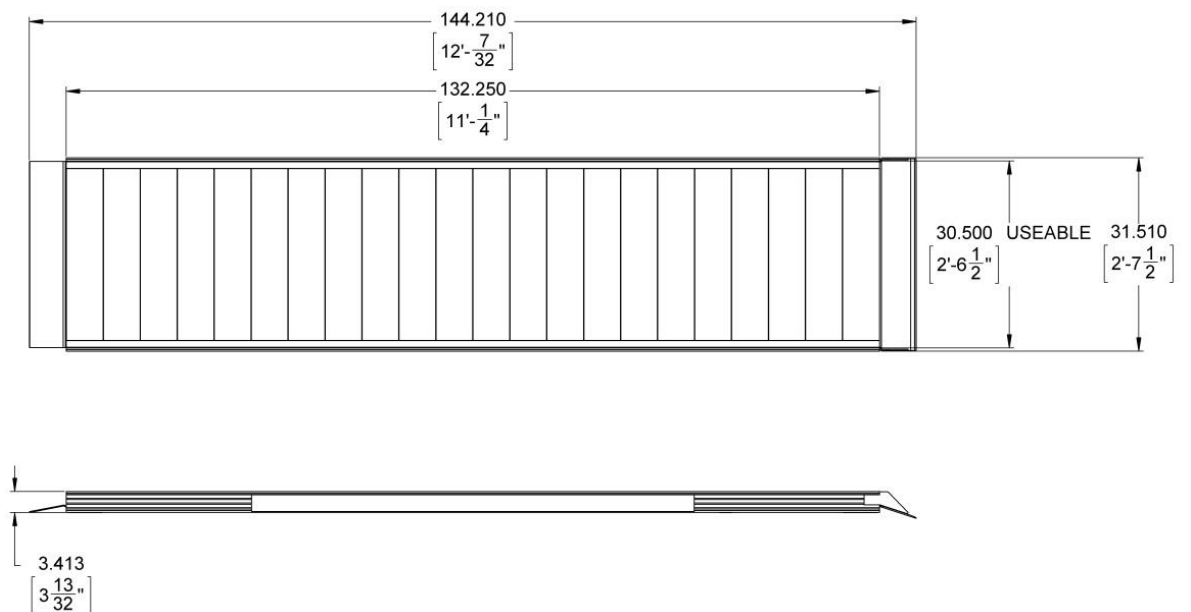
WR08



WR10

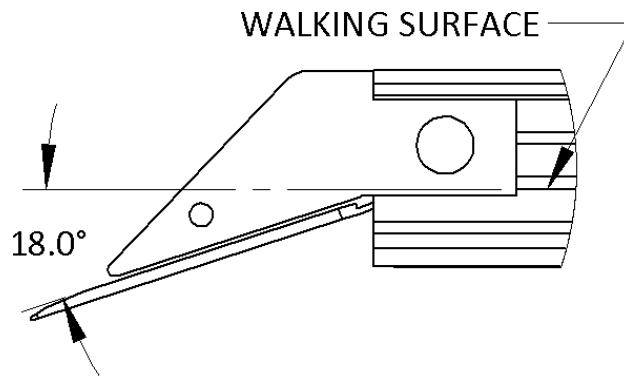
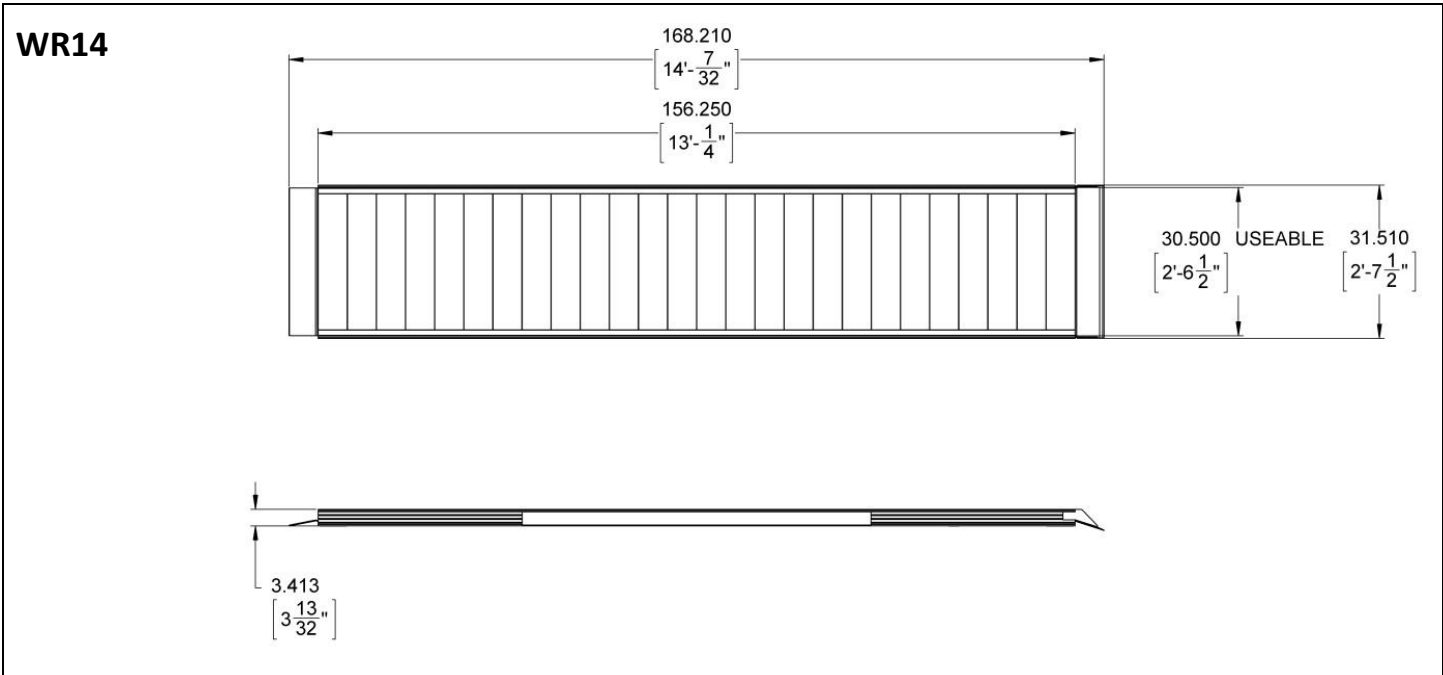


WR12





TRAVERSE™ Walk Ramp Technical Specifications



**TOP TRANSITION
ANGLE DETAIL**