

### SAFETY GUIDELINES - PLEASE READ BEFORE USE

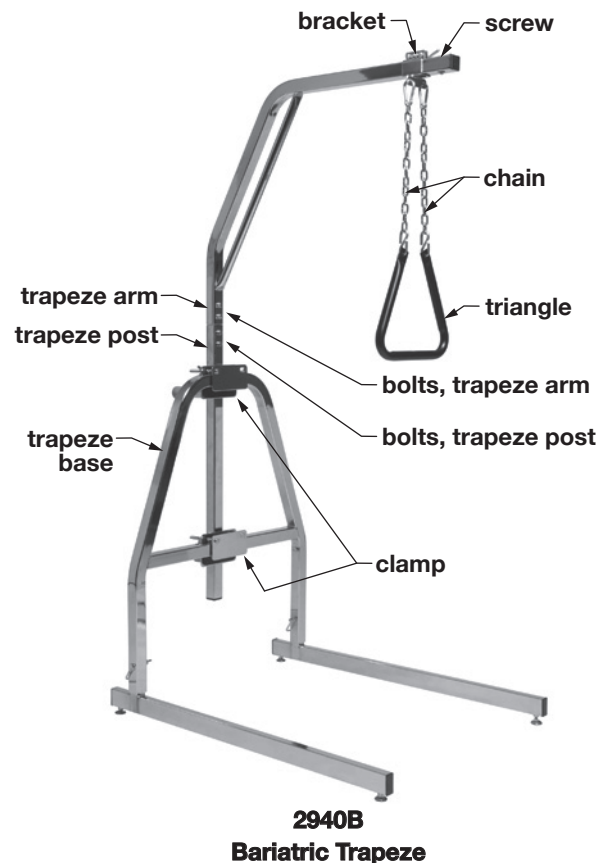
- ⚠ WARNING:** **Important: Read and understand these instructions before installing or using the 2940B Bariatric Trapeze. Ensure that the Bariatric Trapeze is installed as described in the following paragraphs before use. If the Bariatric Trapeze is not properly installed, personal injury and/or property damage could result.**
- ⚠ WARNING:** **The fixed trapeze used in conjunction with a bed can assist an individual weighing up to 450 lbs. The fixed trapeze is designed to provide support, increase stability, and assist the user when repositioning himself/herself in bed. The fixed trapeze is NOT designed, however, to support the total body weight of an individual. Use it for assistance ONLY.**
- ⚠ WARNING:** **Do not use this product without proper instruction from a healthcare professional.**
- ⚠ WARNING:** **GF Health Products, Inc. assumes no responsibility for any damage or injury caused by improper installation, assembly or use of this product.**
- ⚠ WARNING:** **If components are damaged or missing, contact your Graham-Field Health Products dealer immediately. DO NOT use substitute parts.**

### Trapeze Assembly - Refer to Picture at Right

*Tools needed: 9/16" wrench, Flat blade screwdriver*

1. Use screwdriver to remove the screw, labeled in picture at right, at top end of trapeze arm.
2. Slide bracket onto trapeze arm with chains downward as shown.
3. Adjust bracket to desired position; use the T-screw on top of the bracket to tighten it. Ensure that bracket is secure.
4. Reinstall screw; use screwdriver to tighten.
5. Slide bottom of trapeze arm over top of trapeze post as shown.
8. Install washers on bolts. Install four bolts through trapeze arm into connecting rod at top of trapeze post. Tighten securely.
8. Ensure that the four bolts that secure the trapeze post to the connecting rod are secure; if not, tighten securely.

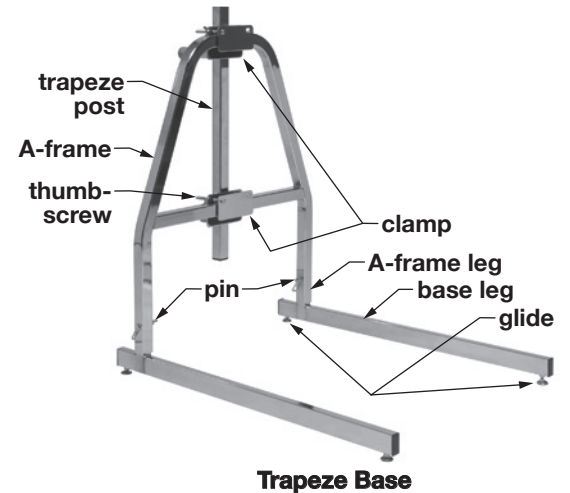
- ⚠ WARNING:** **Ensure that trapeze is correctly and securely assembled; that bracket is secure, and that trapeze arm and post bolts are secure, before proceeding.**



*Note: The trapeze is now ready to be installed on the base, shown above. Please see the next page for those instructions.*

## Trapeze-Base Assembly - Refer to Picture at Right

1. Place the two base legs on the floor parallel to each other with leveling glides on the floor, as shown at right.
2. Attach A-frame to the base legs: Slide the A-frame legs down over the upright posts projecting upward from the base legs. Slide locking pins through both base legs and A-frame legs. Slide loops over ends of locking pins.
3. Install clamps on A-frame as shown at right; use the thumbscrews on both sides of the clamps to tighten them. Ensure that clamps are secure on A-frame.
4. Install trapeze post in both clamp center tubes; adjust trapeze to desired height, ensuring that it passes completely through both center clamps. Use the wing nuts on clamp center tubes to tighten clamps. Ensure that trapeze post is secure in clamps.



## Trapeze Operation

- ⚠ WARNING: Before use, ensure that trapeze is correctly and securely assembled, and that all clamps are tight.**
- ⚠ WARNING: The Bariatric Trapeze is intended to be used *ONLY* as an assistive device—that is, to enable patients to more easily and safely reposition themselves. It is not intended to bear entire body weight.**

This product has a three year limited warranty. For additional warranty information, please contact your Graham-Field Health Products dealer.

