

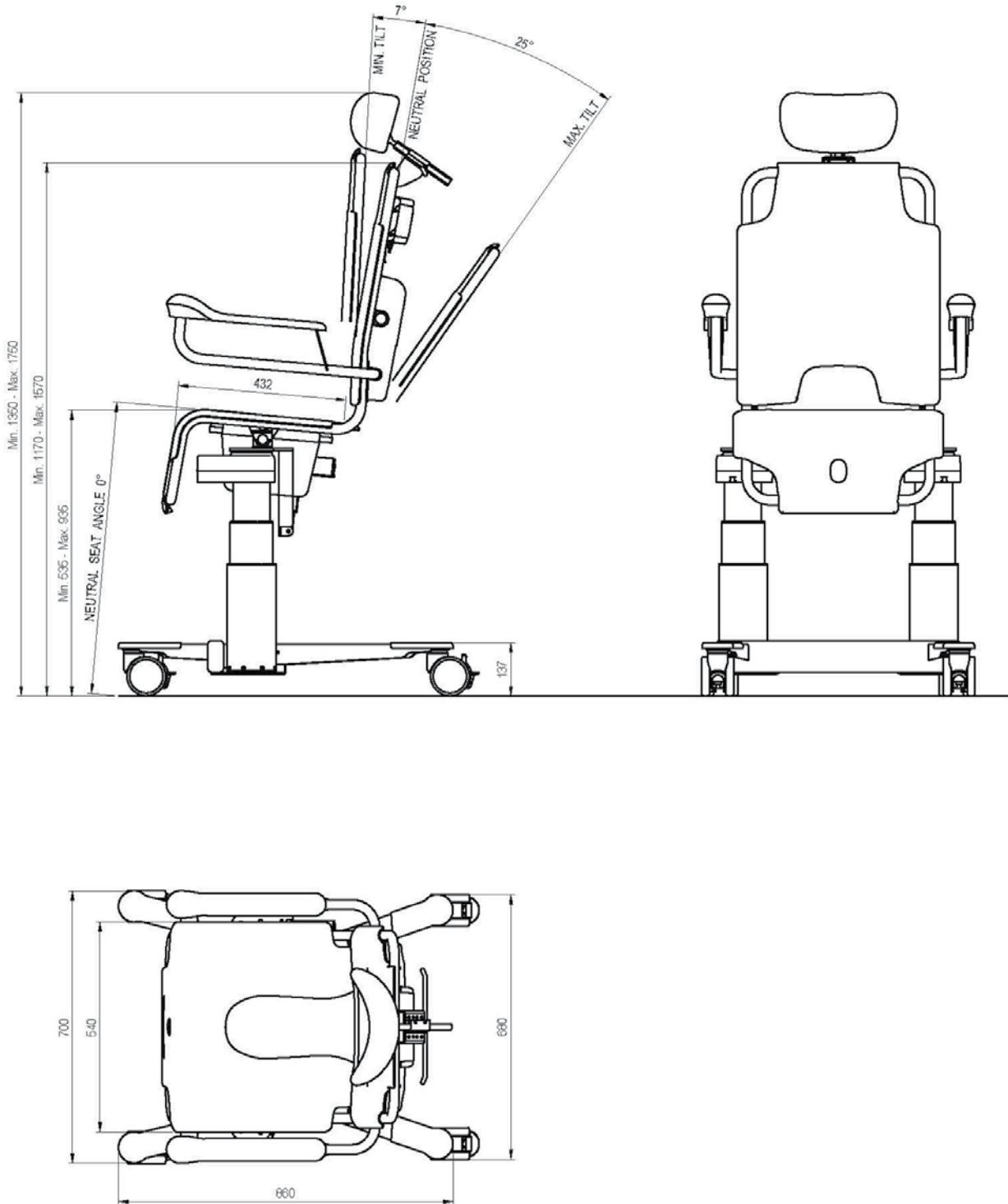


TR 1000 Shower Chair

Hygiene Equipment
Designed for People



Product measurements



Head office
TR Equipment AB, Sweden
Phone: +46 140 38 50 60
info@treqipment.se
www.treqipment.com

Group Subsidiaries
TR Group Inc, US, Phone: +1 (800) 752 6900
TR Equipment Ltd, UK, Phone: +44 (0) 844 335 8386
TRanspoRehaMed GmbH, Germany, Phone: +49 (0) 212 645850-0



TR EQUIPMENT