

ARJOHUNTLEIGH

GETINGE GROUP

TENOR PARTS LIST



CE
0086

© ArjoHuntleigh

ArjoHuntleigh products are patented or patent pending. Patent information is available by contacting ArjoHuntleigh.

The policy of ArjoHuntleigh is one of continuous development and we therefore reserve the right to make technical alterations without notice. The content of this publication may not be copied either whole or in part without the consent of ArjoHuntleigh.

This product has been manufactured for ArjoHuntleigh by:

ArjoHuntleigh AB
Hans Michelsensgatan 10
211 20 Malmö, Sweden

'TENOR' and 'ArjoHuntleigh' are registered trade marks of Getinge AB.

The TENOR is produced in Poland by ArjoHuntleigh for Getinge AB and sold under the ArjoHuntleigh brand.

Contents

	SECTION	Page No.
A	Chassis	4-11
B	Mast	12-17
C	Lifting arm	18-21
D	Electrics	23-24

A - Chassis

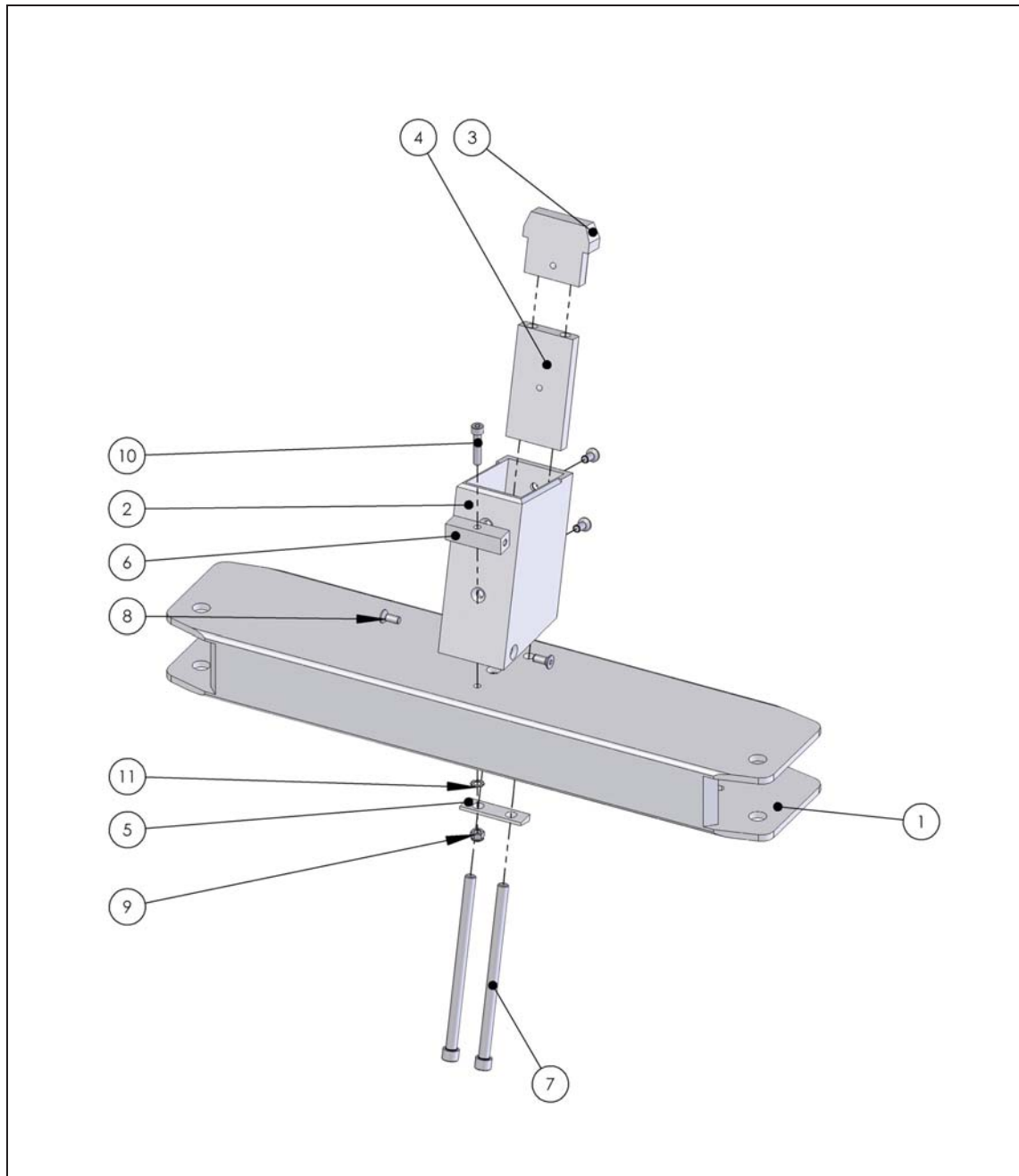
Item	Part Number	Qty.	Description
	Items on p. 6		Housing
1	TEN.002	1	Horizontal beam
2	TEN.005	1	Tube holder
3	TEN.006	1	Assembly block
4	TEN.007	1	Positioning block
5	TEN.030	1	Spacing block
6	TEN.033	1	Connection block
7	TEN.100	2	M12 x 200 bolt
8	HMX1128	1	M8 x 40 inbus Tenor
9	HMX216	1	M8 lock nut
10	HMX389	4	M8 x 20 inbus VK
11	HMX591	1	M8 washer flat
	Items on pg. 7		Legs
1	TEN.001L	1	Leg - left
2	TEN.001R	1	Leg - right
3	TEN.024	2	Bearing housing
4	TEN.025L	1	Protection plate - left
5	TEN.025R	1	Protection plate - right
6	TEN.026	2	Fastening block
7	TEN.027	2	Fastening block 2
8	TEN.036	2	U- shape
9	HMX306	2	M10 x 20 bolt
10	HMX200	2	M10 lock nut
11	HMX1075	4	M4 x 6 cylindrical screw
12	HMX389	4	M8 x 20 inbus VK
13	TEN.102	4	Bearing
14	TEN.125	2	Plate - thin
15	TEN.126	2	Plate - thick
	Items on pg. 8		Spreader arm
1	TEN.037	2	Pushing arm
2	AX02890.0	4	Nut M10 full
3	HMX199	4	M10 nut
4	HMX1309	2	HEX Head Set Screw M10 x 40
5	HMX200	2	M10 lock nut
6	TEN.130	2	Thread rod M10
	Items on pg. 9		Spreader plate 1 - Right
1	TEN.035	1	Strip lower plate
2	HMX178	1	Actuator
3	HMX200	1	M10 lock nut
4	HMX550	1	M12 lock nut
5	HMX193	1	M10 nylon washer
6	HMX196	1	M8 nylon washer

A - Chassis

Item	Part Number	Qty.	Description
7	HMX1308	1	HEX Head Set Screw M8 x 37
8	HMX214	1	M8 lock nut
9	HMX155	1	M12 nylon washer - thick
10	/	1	See spreader arm
11	HMX1127	1	Nylon ring dun 12.2 x 24 x 1.3
12	HMXX771	2	Plakzadel
Items on pg. 10			Spreader plate 2 - Left
1	TEN.034	1	Strip lower plate
2	HMX178	1	Actuator
3	HMX1308	1	HEXHead Set Screw M8 x 37
4	HMX550	1	M12 lock nut
5	HMX200	1	M10 lock nut
6	HMX216	1	M8 lock nut
7	HMX193	1	M10 nylon washer
8	HMX1127	1	Nylon ring dun 12.2 x 24 x 1.3
9	HMX155	1	M12 nylon washer - thick
10	/	1	See spreader arm
11	HMXX771	2	Plakzadel
Items on pg. 11			Chassis
1	TEN.105	2	Castor - rear - D100mm
2	TEN.106	4	Castor - front - D75 mm
3	TEN.003	2	Castor support
4	TEN.004	2	Castor support
5	TEN.42.2	2	Washer
6	TEN.042.1	2	Washer
7	TEN.028	2	Pipe
8	TEN.127	2	Cover cap - grey
9	HMX275	6	Anti-skid ring
10	HMX1309	2	HEX Head Set Screw M10 x 40
11	HMX147	8	M10 x 30 inbus VK
12	HMX127	4	M10 x 20 inbus BK
13	HMX320	4	M10 lock washer
14	TEN.110	2	M12 x 36 washer
15	HMX597	2	M10 washer
16	HMX200	4	M10 lock nut
17	HMX1314	2	HEX Head Set Screw M10 x 96
18	TEN.128	2	Washer - white

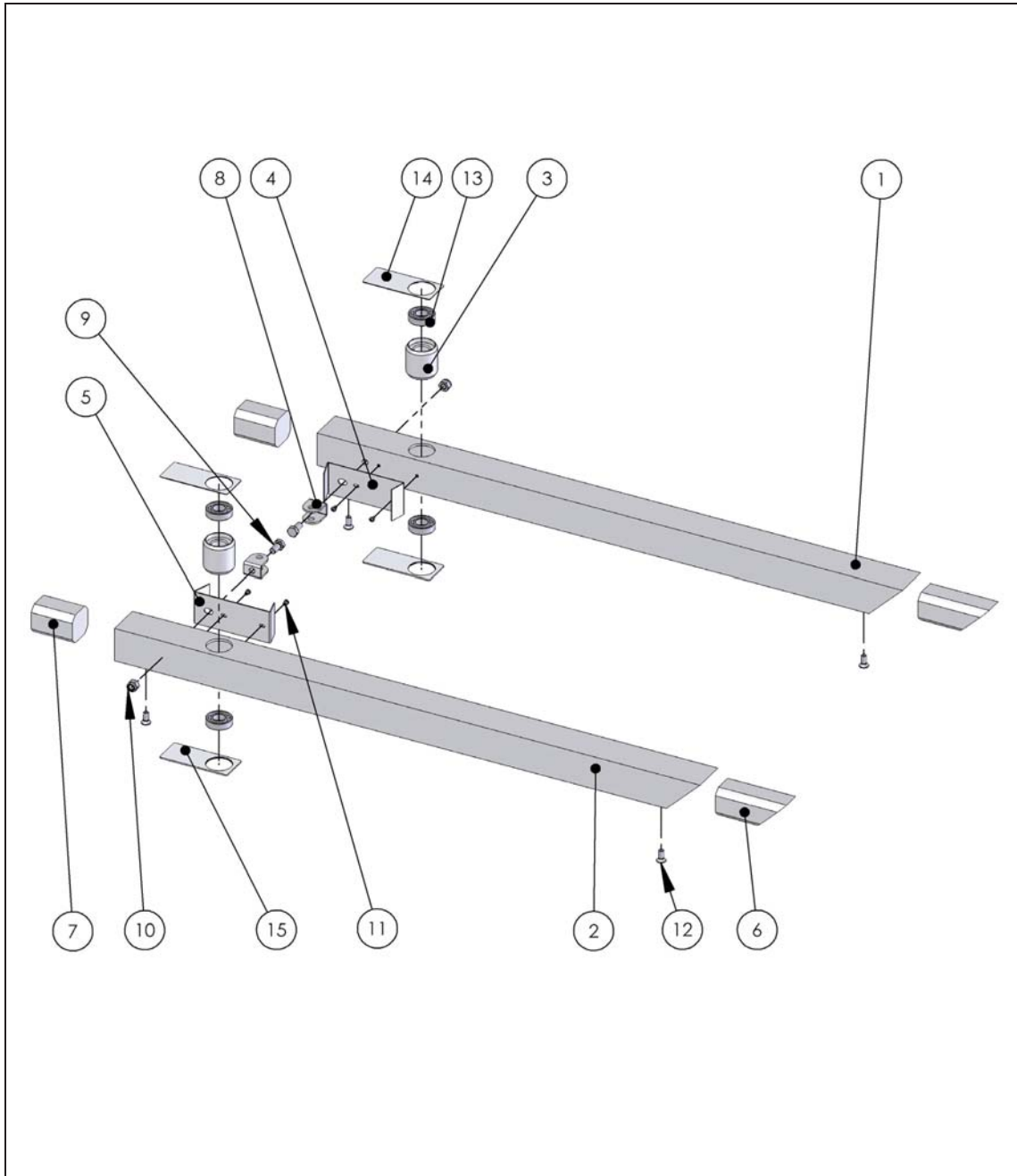
A - Chassis

Housing



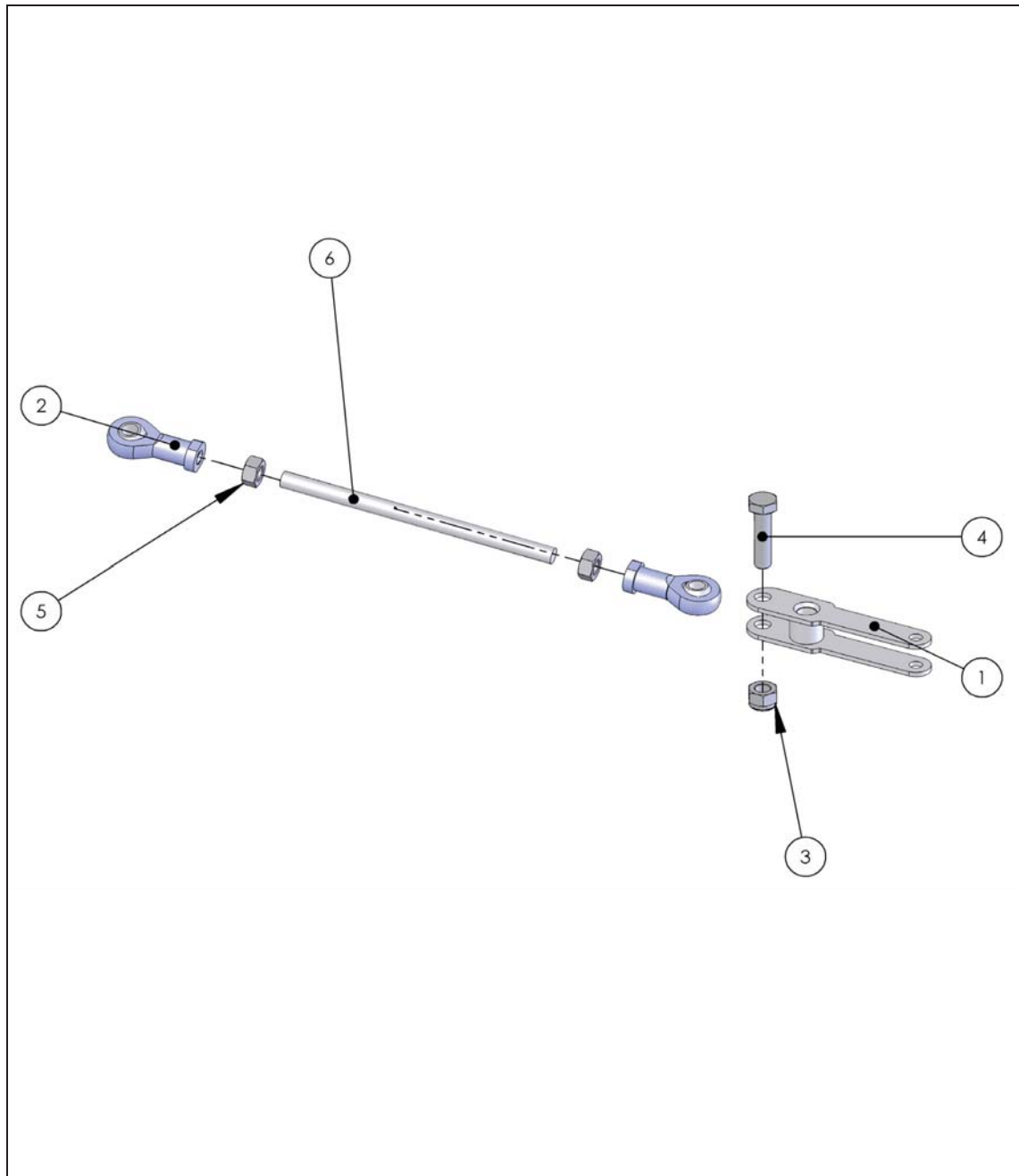
A - Chassis

Legs



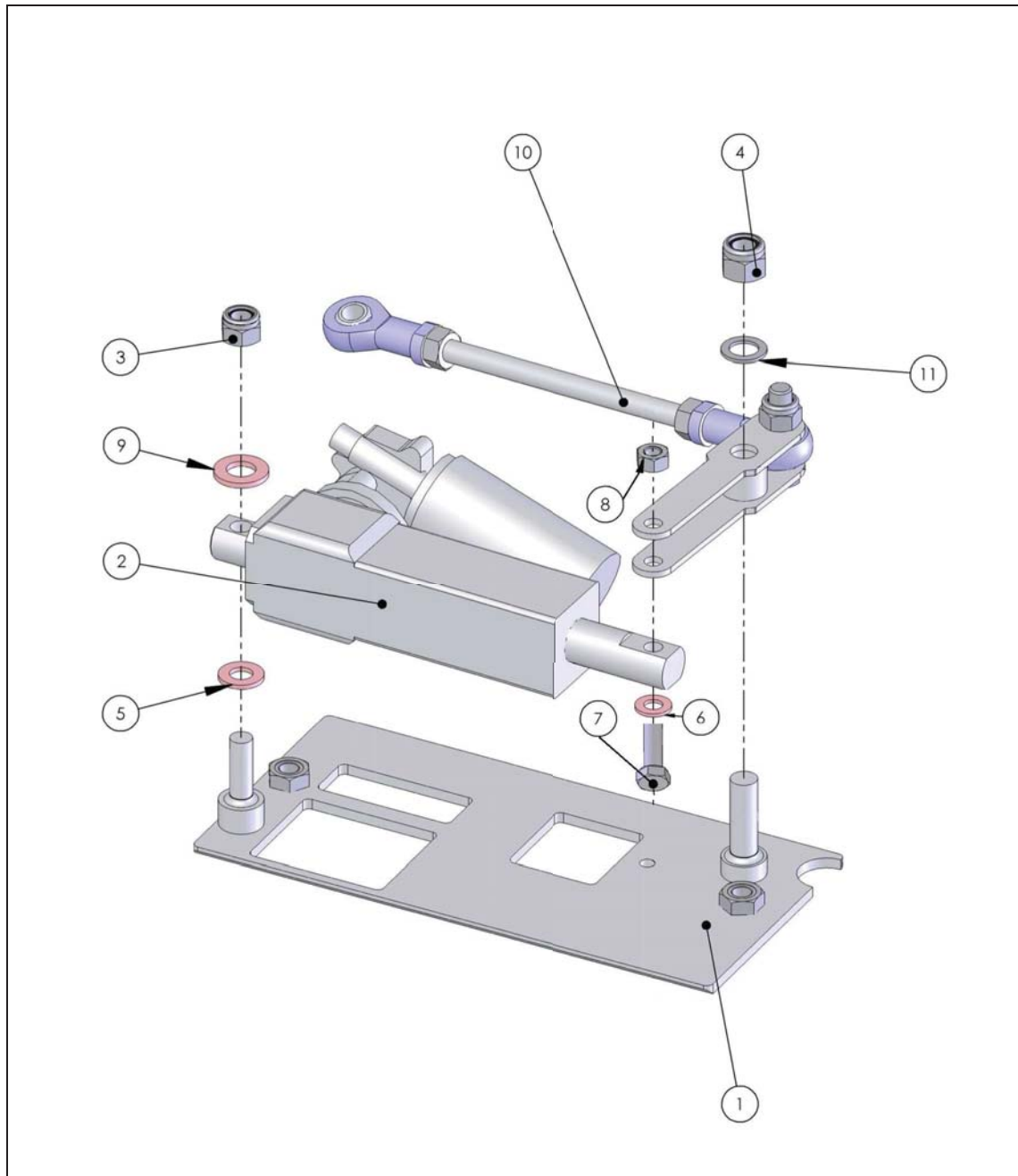
A- Chassis

Spreader arm



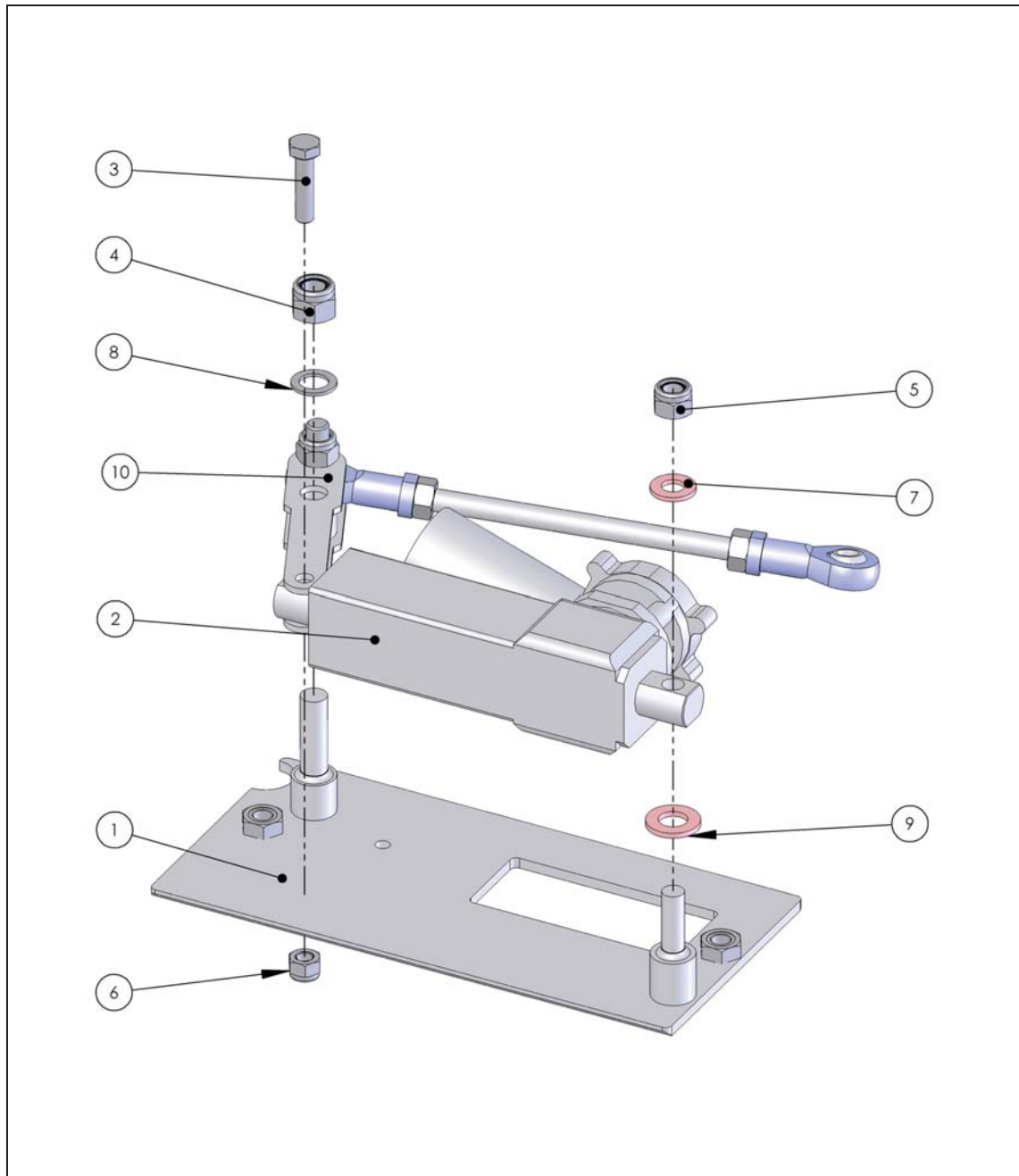
A - Chassis

Spreader plate 1 - Right



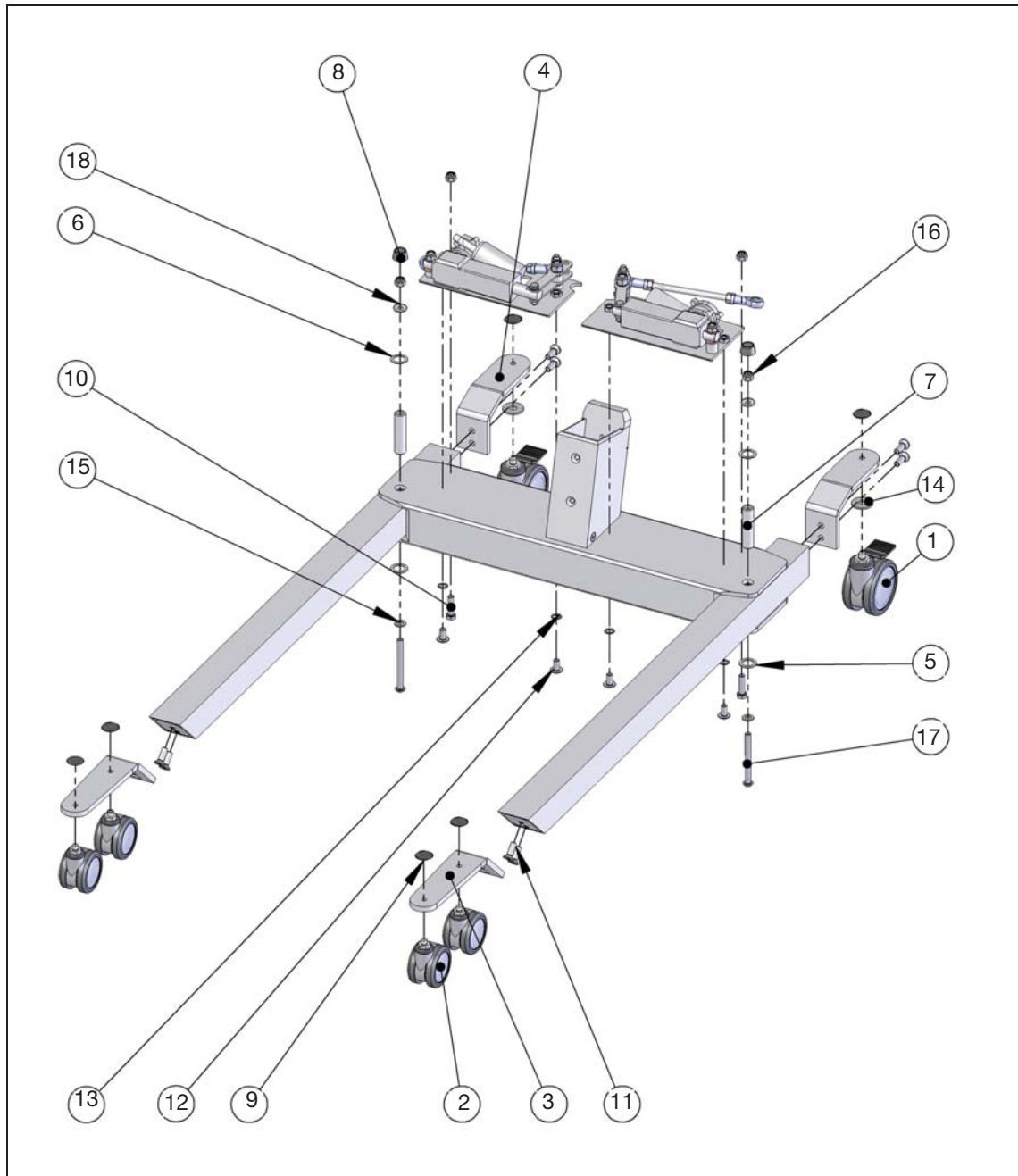
A - Chassis

Spreader Plate 2 - Left



A - Chassis

Chassis



B - Mast

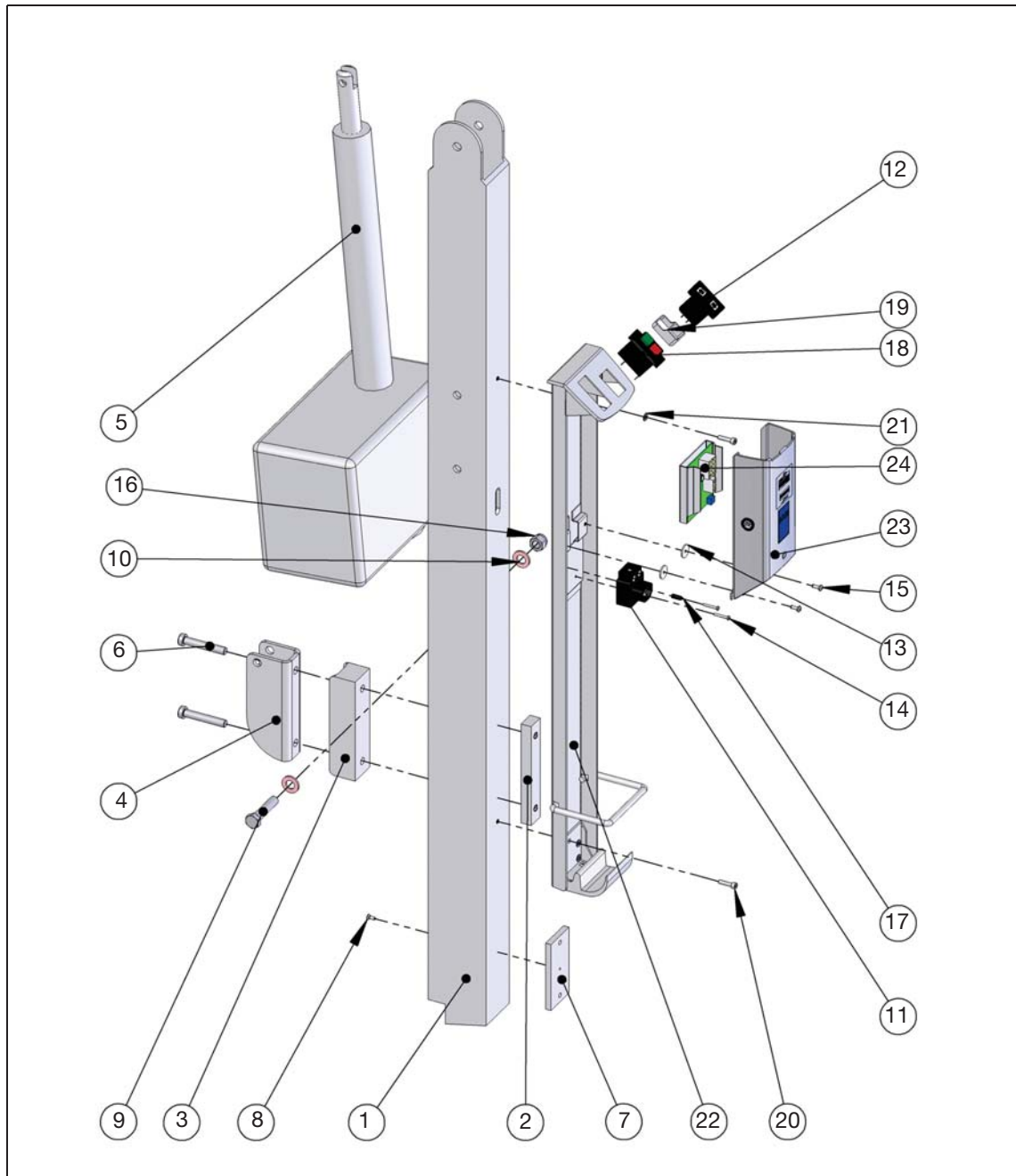
Item	Part Number	Qty.	Description
	Items on pg. 14		Mast
1	TEN.009	1	Mast
2	TEN.031	1	Fastening strip
3	TEN.015	1	Connection block
4	TEN.011	1	Support
5	TEN.107	1	Actuator
6	HMX26	2	M10 x 60 LBK screw
7	TEN.029	1	Connection plate
8	HMX1042	1	M4 x 10
9	HMX1311	1	HEX Head Set Screw M12 x 61
10	HMX155	2	M12 nylon washer
11	HMX1060	1	Cable assembly
12	HMX998	1	Switch
13	HMX332	2	Nylon washer
14	HMX757	2	M3 x 16 cross head
15	HMX420	2	M4 x 10 cylindrical screw
16	HMX550	1	M12 Lock nut
17	HMX824	1	Plastic pin
18	TEN.114	1	On / off switch 16A
19	HMX979	1	Bezel
20	HMX700	2	M5 x 20 inbus bolt
21	TEN.115	2	M5 x 20 washer
22	See Back plate	1	Back plate assembly
23	See Plastic cap	1	Plastic cap / electronics holder assembly
24	HMX1158	1	Electronics - PCB
25	HMX1020	2	M8 x 30 (part not illustrated)
26	HMX586		AMP plug male (part not illustrated)
27	HMX1061	1	Cable assembly (part not illustrated)
28	HMX1062	1	Cable assembly (part not illustrated)
29	HMX976	1	Buzzer (part not illustrated)
30	TEN.121	1	Sub part black block (part not illustrated)
31	HMX141	2	AMP 2p plug female (part not illustrated)
32	TEN.124	2	Plate - white (part not illustrated)
33	HMX977	1	Hand set (part not illustrated)
34	HMX750	3	Cable tie (part not illustrated)
	Items on pg. 15		Back plate
1	HMX98	1	Back plate
2	HMX961	1	Plastic cap - lower
3	HMX972	1	Plastic cap - upper
4	HMX247	4	M5 washer
5	HMX496	4	Pop rivet 4.8 x 12

B - Mast

Item	Part Number	Qty.	Description
			Upper part
Items on pg. 16			
1	TEN.009	1	Mast (See Mast assembly)
2	TEN.013	1	Lifting arm (See Lifting arm assembly)
3	TEN.039	2	Cover disc - blue
4	TEN.123	2	Cover disc - white
5	TEN.122	2	Cover disc - white
6	HMX1313	1	HEX Head Set Screw M12 x 86
7	HMX1312	1	HEX Head Set Screw M12 x 71
8	HMX155	4	M12 washer
9	HMX1310	1	HEX Head Set Screw M10 x 58
10	HMX550	2	M12 lock nut
11	HMX200	1	M10 lock nut
12	HMX193	1	M10 washer
13	HMX320	1	M10 lock washer
14	HMX1079	2	Grey bush
Items on pg. 17			Push bar
1	TEN.012	1	Handle
2	TEN.111	2	Plugs
3	HMX1000	2	M10 x 90 bolt
4	HMX200	2	M10 lock nut
5	HMX916	4	Cover cap - grey
Items on pg. 18			Plastic cap (electronics holder)
1	HMX973	1	Plastic cap electronics
2	HMX974	1	Battery indication
3	HMX873	2	M2.5 nut
4	HMX1063	1	Cable assembly
5	HMX913	1	Label hours run
6	8418700	1	Badge Arjohuntleigh medium
7	HMX1054	2	Distance bush
8	HMX875	2	M2.5 washer
9	HMX925	2	M2.5 x 16 screw
10	HMX981	1	Protection strip
Items			Labels (parts not illustrated)
1	TEN.116	2	Tenor label
2	LABSLI	2	Label sling
3	TMO.316	1	Booklet - Read Operating instructions before use
4	TMO.323	1	On / off switch
5	LABOML	2	Emergency lowering
6	TEN.120	1	Serial number
7	TEN.140	1	Tenor 320 kg / 704 lbs
8	TEN.144	1	DC 50V / current 16A
9	HMX916	6	Cover cap - grey
10	HMX917	6	Cover cap - grey

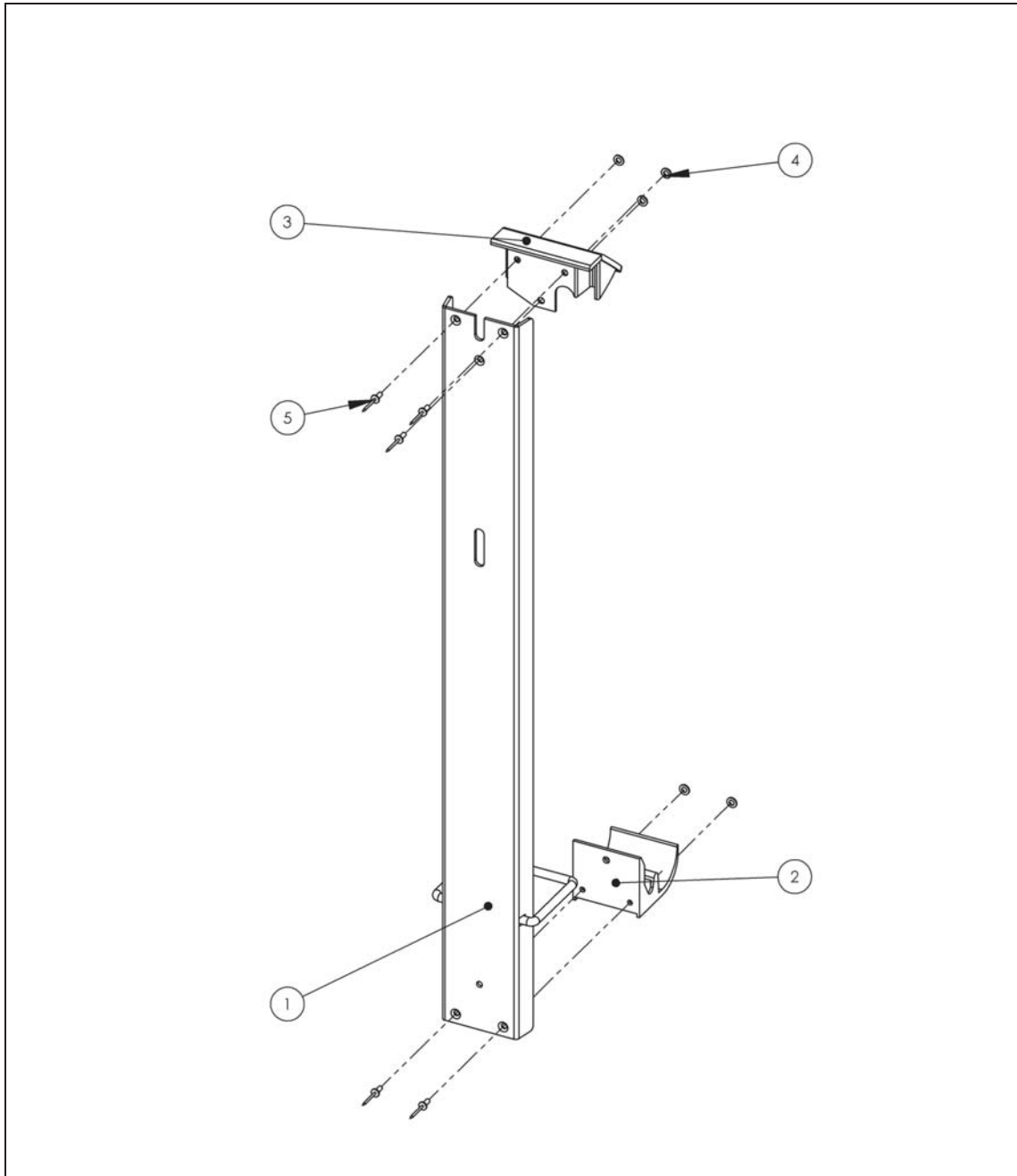
B - Mast

Mast



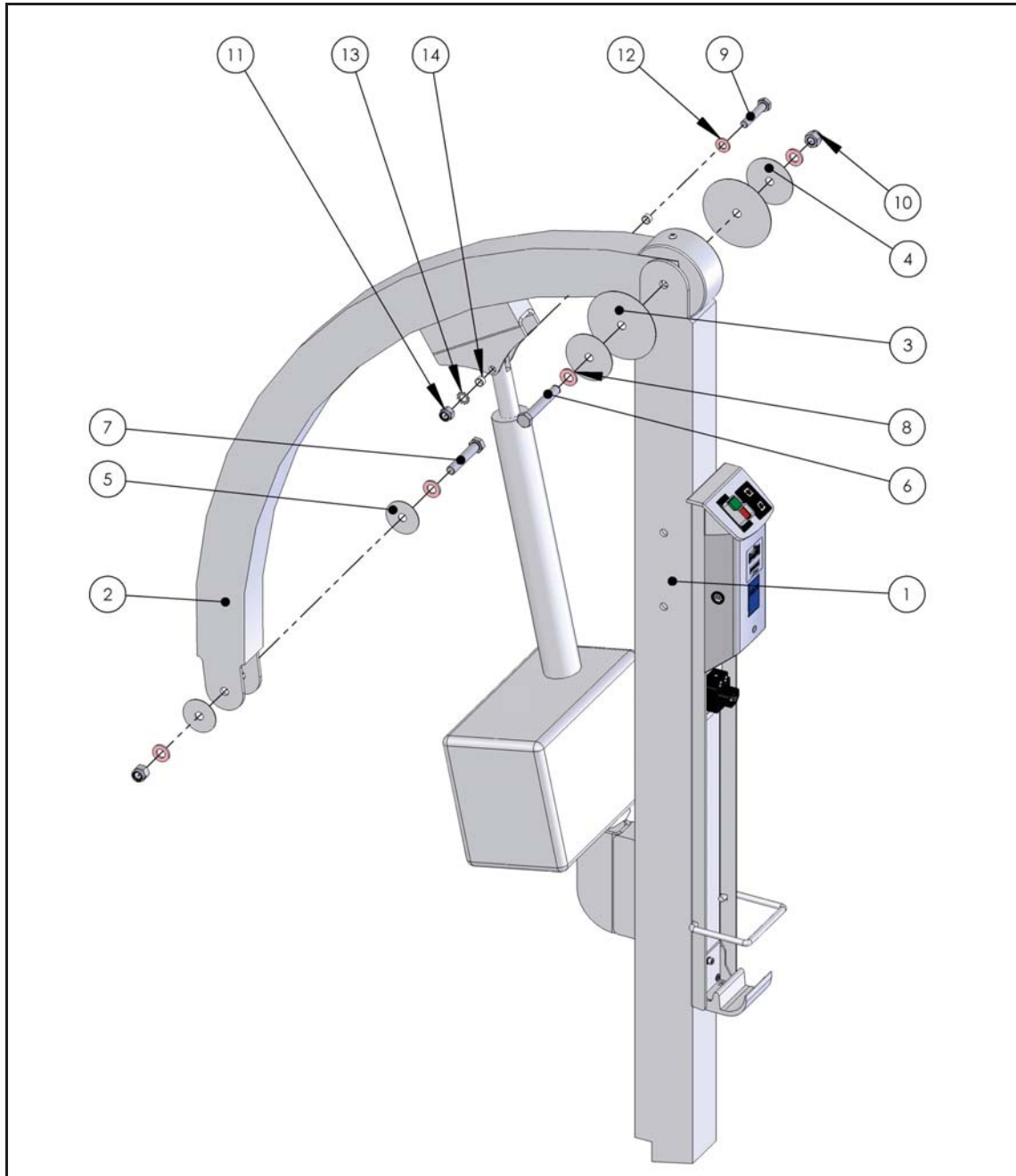
B - Mast

Back plate



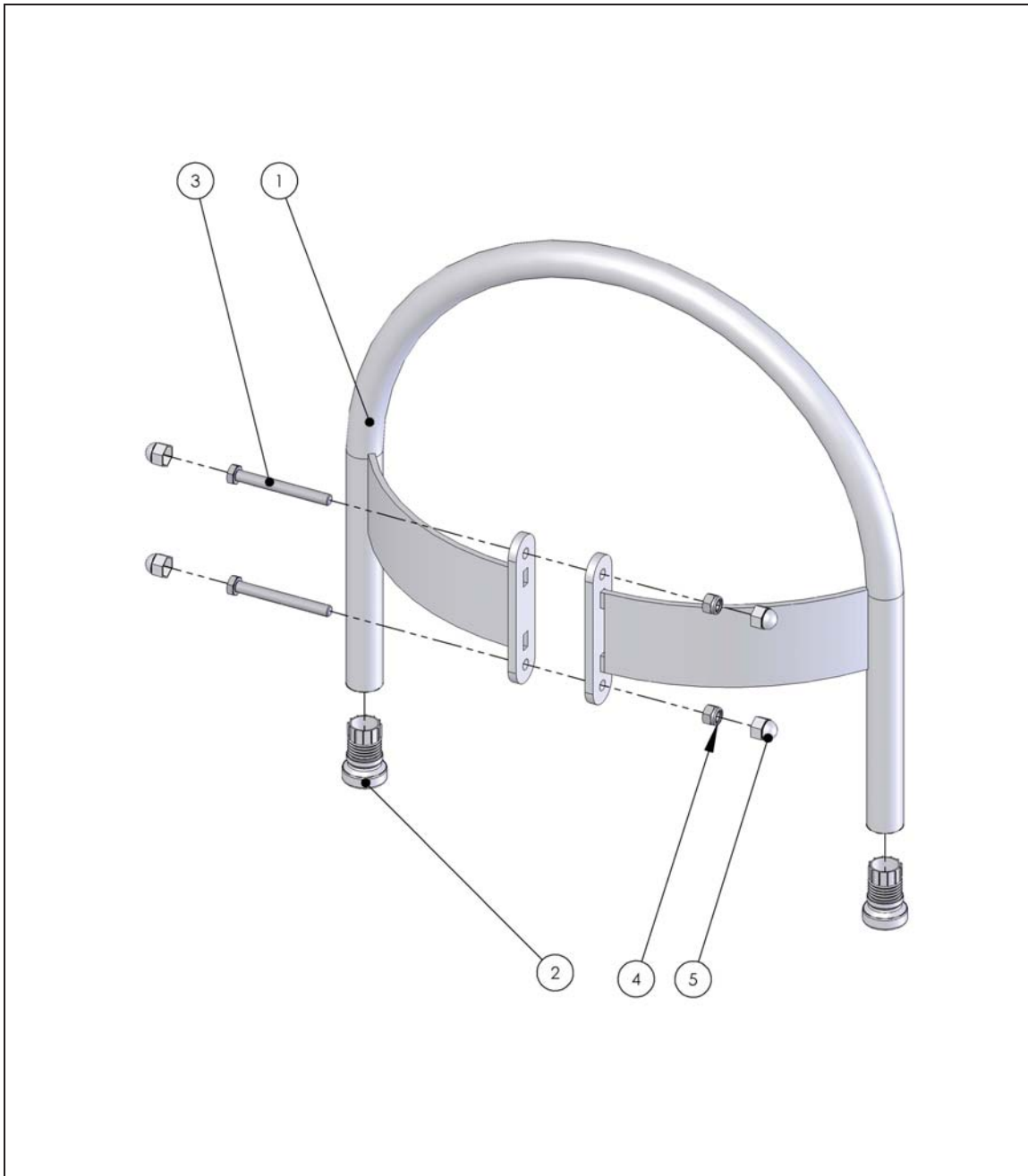
B - Mast

Upper part



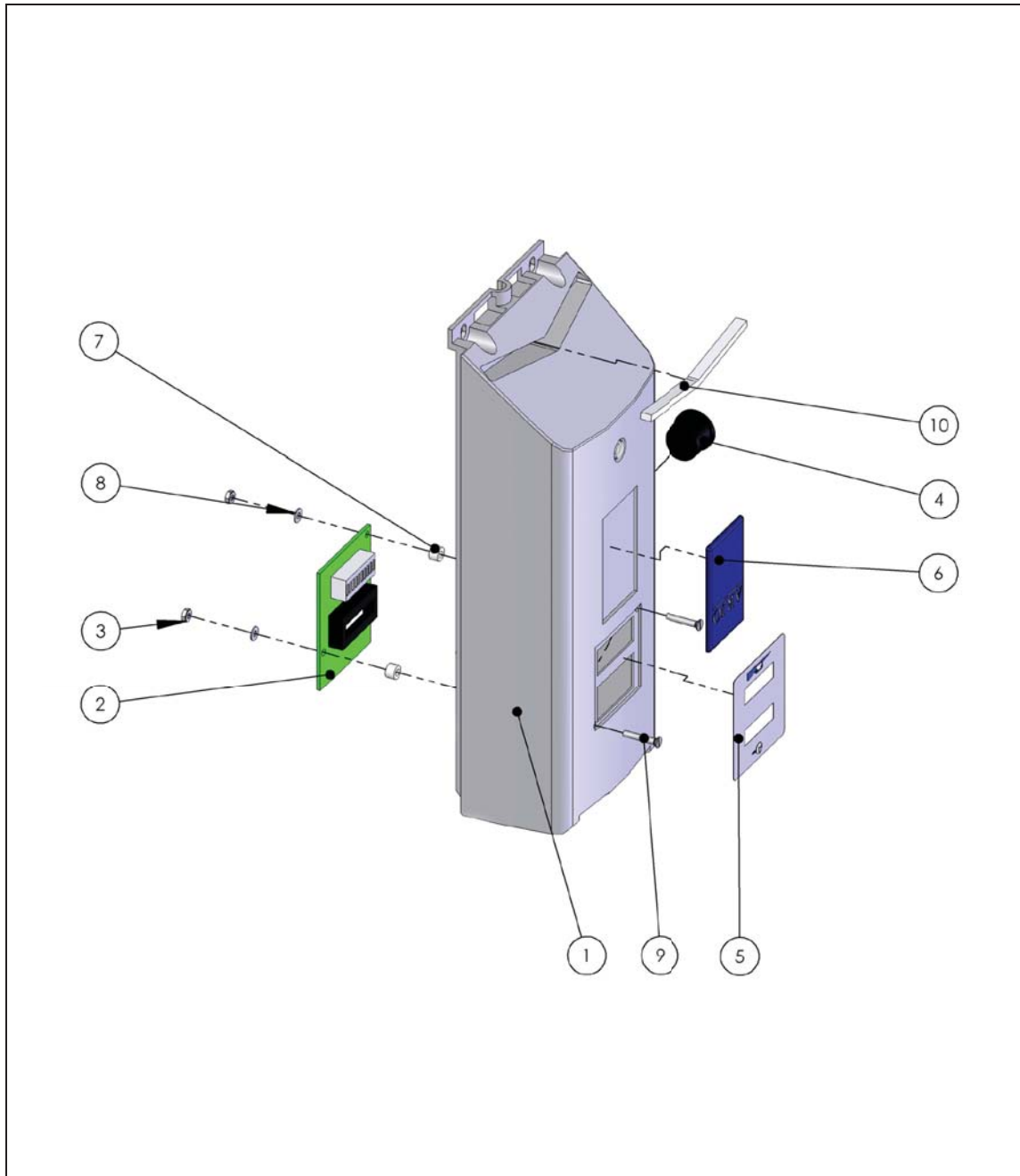
B - Mast

Push bar



B - Mast

Plastic cap / Electronics holder

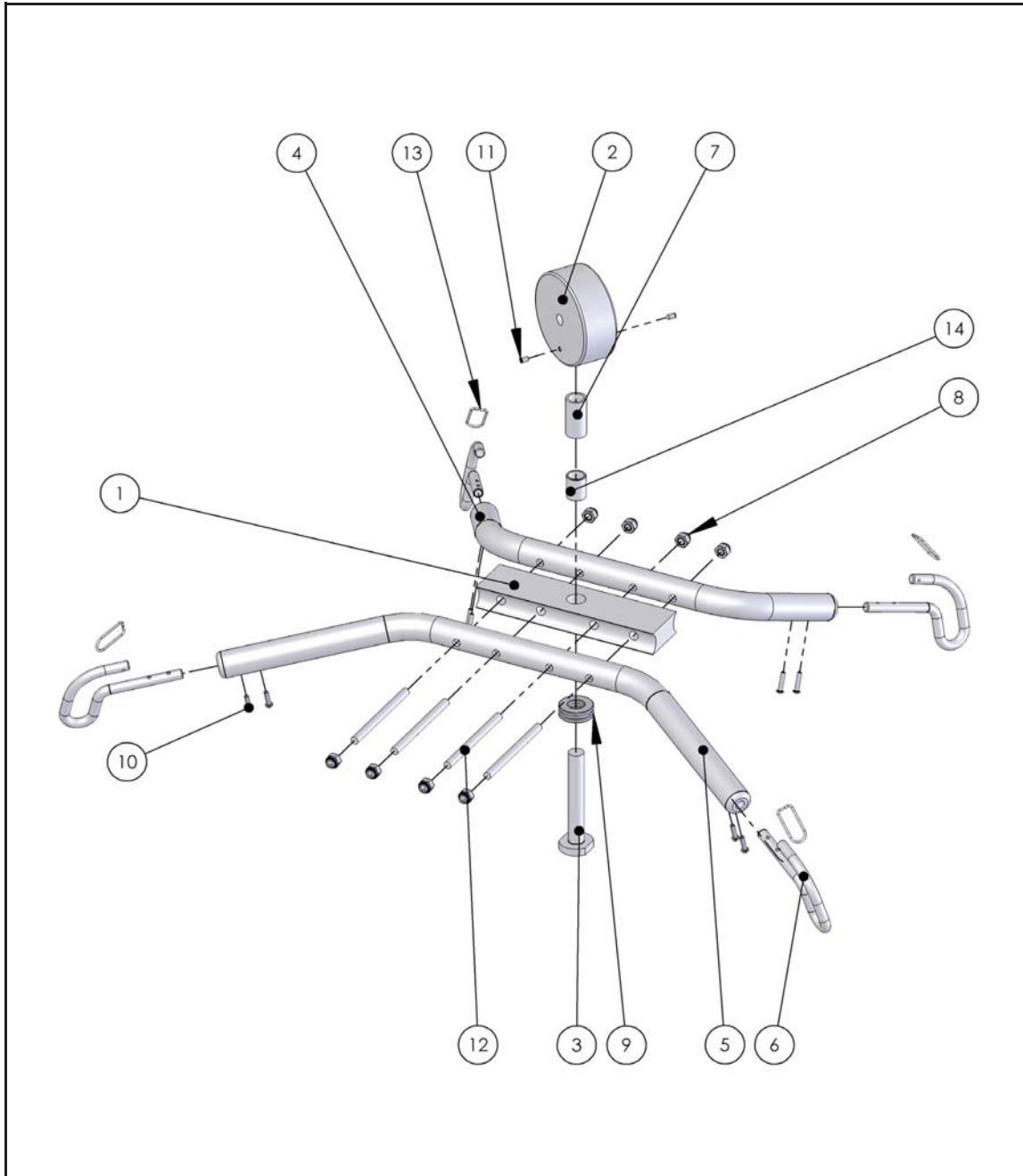


C - Lifting arm

Item	Part Number	Qty.	Description
Items on pg. 20			Spreader bar standard
1	TEN.019	1	Head beam
2	TEN.017	1	Pivoting disc
3	TEN.018	1	Spreader bar axle
4	TEN.020A	1	Spreader bar - short
5	TEN.020	1	Spreader bar - long
6	TEN.021	4	Hook
7	TEN.022	1	Distance bush - blue
8	HMX836	8	M8 lock nut
9	TEN.132	1	Bearing
10	HMX607	8	M4 x 20 socket head screw
11	HMX883	2	M5 x 10 set screw
12	TEN.129	4	M8 threaded rod
13	TEN.109	4	Recoil clip hanger bar
14	TEN.138	1	Bush - grey
15	TEN.131	1	Black protection cover (part not illustrated)
Items on pg. 21			Spreader bar with scale
1	TEN.020A	1	Spreader bar - short
2	TEN.020	1	Spreader bar - long
3	TEN.021	4	Hook
4	HMX836	8	M8 lock nut
5	HMX607	8	M4 x 20 socket head screw
6	TEN.129	4	M8 threaded rod
7	TEN.017W	1	Pivoting disc
8	TEN.018W	1	Spreader bar axle
9	TEN.019	1	Head beam
10	TEN.139	1	Nylon washer
11	TEN.133	1	Bearing
12	HMX1095-T	1	Scale
13	HMX1315	1	UNC HEX HEAD SET SCREW 3/8" X 51MM
14	HMX1316	1	UNC HEX HEAD SET SCREW 3/8" X 43MM
15	TEN.117	2	Lock nut
16	HMX193	2	M10 washer
17	TEN.109	4	Recoil clip hanger bar
18	TEN.131	1	Black protection cover (part not illustrated)
Items on pg. 22			Lifting arm
1	TEN.013	1	Lifting arm
2	TEN.010	1	End block
3	TEN.014	1	Block
4	TEN.016	1	Connection block
5	TEN.031	1	Connection strip
6	HMX465	2	M6 x 6 set screw
7	HMX911	1	M6 x 6 inbus bolt
8	HMX26	2	M10 x 60 inbus bolt

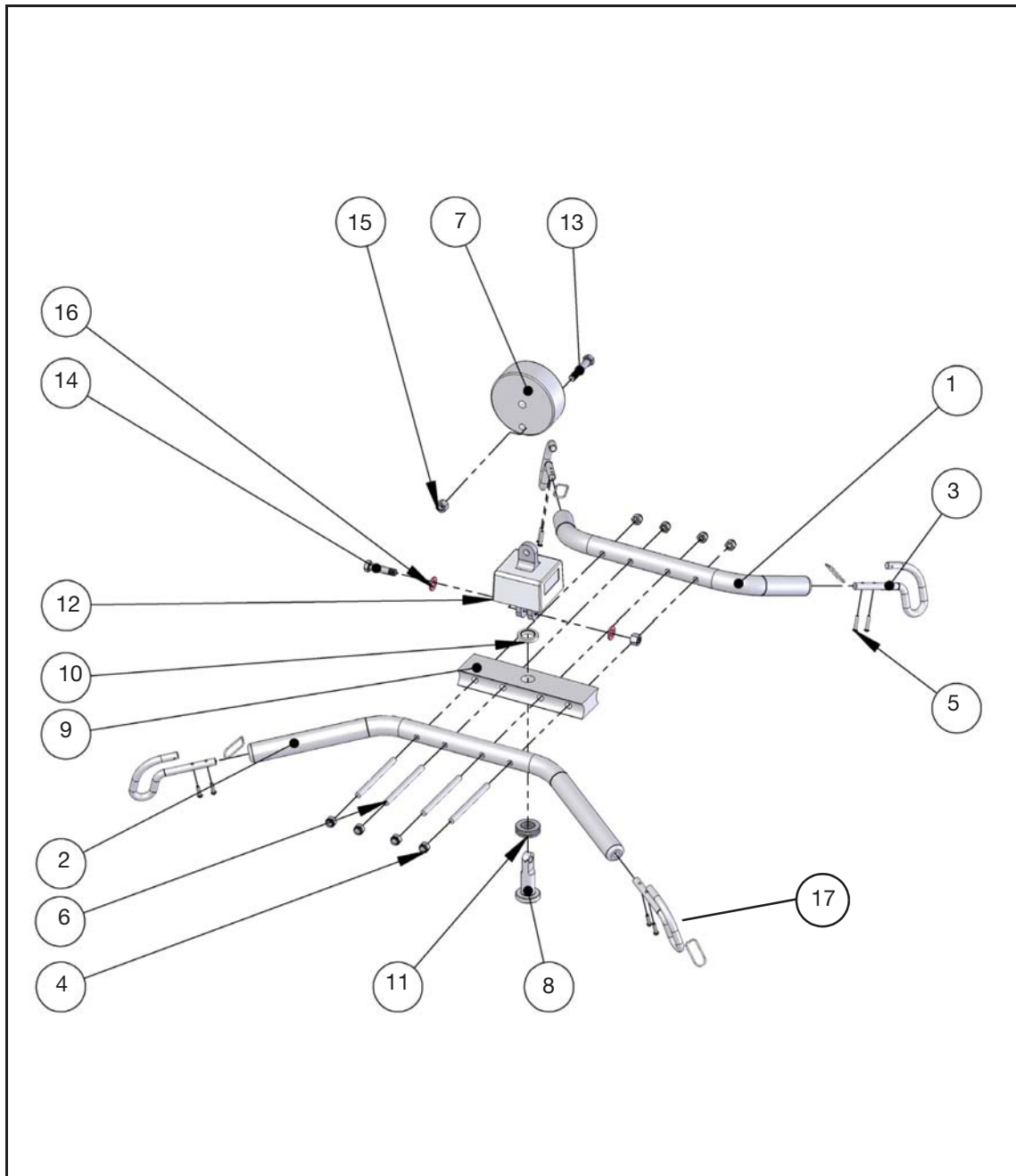
C - Lifting arm

Spreader bar standard



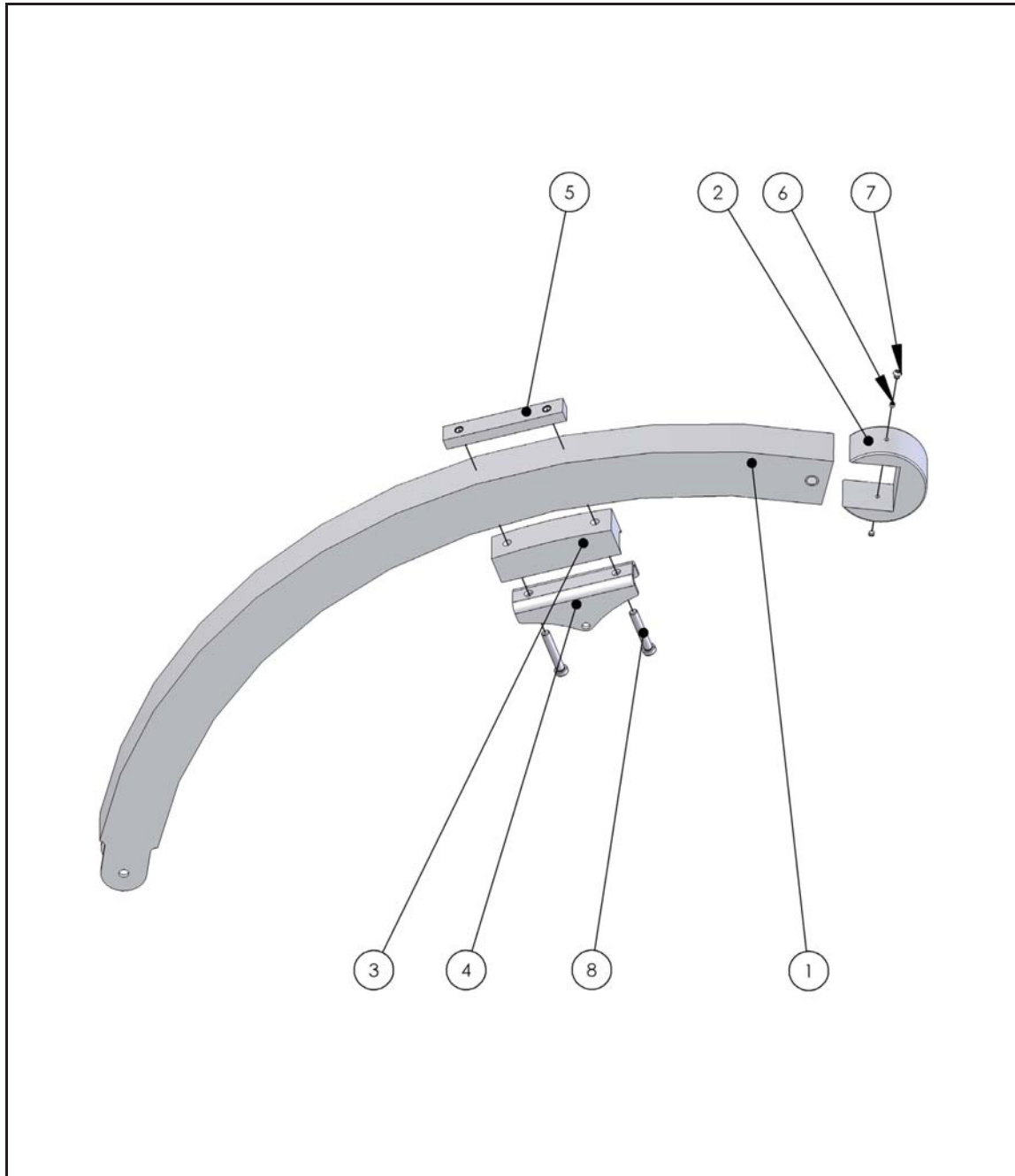
C - Lifting arm

Spreader bar with scale



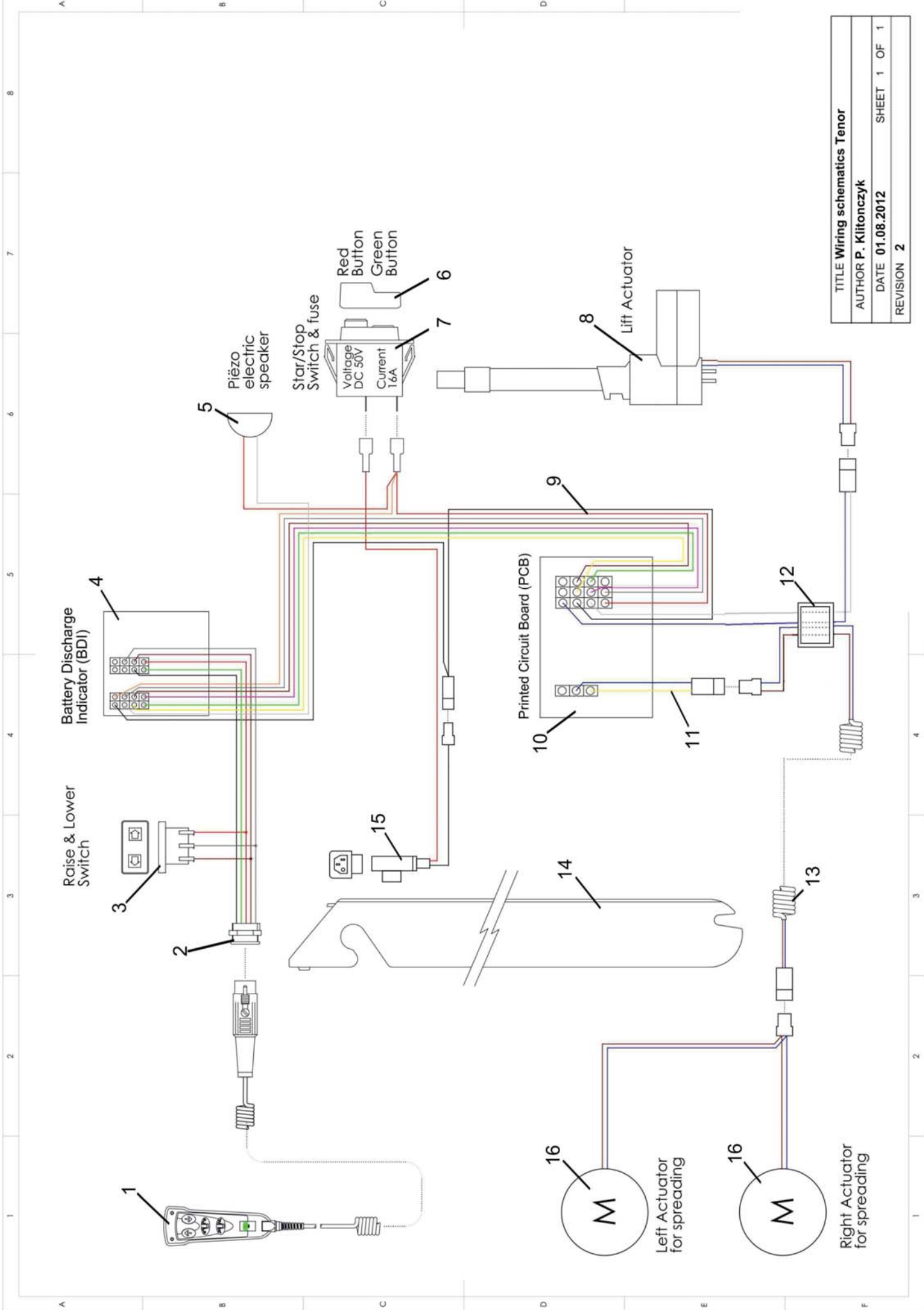
C - Lifting arm

Lifting arm



D - Electrics

Item	Part Number	Qty.	Description
	Items on p. 24		Electrics
1	HMX977	1	Handset
2	HMX1063	1	Cable assy din chassis part
3	HMX998	1	Switch H/L
4	HMX974	1	Battery discharge indicator
5	HMX976	1	Piezo electric speaker
6	HMX979	1	Bezel
7	HMX978	1	Emergency stop switch
8	TEX.107	1	Tenor actuator
9	HMX1061	1	Cable assembly with hooked plug
10	HMX1158	1	PCB
11	HMX1062	1	Cable assy blue yellow wire
12	TEB.121	1	Part black block
13	TGT.238	1	Spiralkabel + 2p stekker teno
14	HMX991	1	Battery
15	HMX1060	1	Cable assy IEC Bulgin plug
16	HMX178	2	Motor spreading Tenor
17	HMX586	8	AMP plug male (not shown)
18	HMX141	4	AMP 2p plug housing female (not shown)
19	HMX144	2	AMP 2p plug housing male (not shown)
20	HMX750	8	Tie wrap 4.6x203 (not shown)



TITLE	Wiring schematics Tenor
AUTHOR	P. Klitoncezyk
DATE	01.08.2012
SHEET	1 OF 1
REVISION	2

ARJOHUNTLEIGH

GETINGE GROUP

GETINGE GROUP is a leading global provider of products and systems that contribute to quality enhancement and cost efficiency within healthcare and life sciences. We operate under the three brands of **ArjoHuntleigh**, **GETINGE** and **MAQUET**. **ArjoHuntleigh** focuses on patient mobility and wound management solutions. **GETINGE** provides solutions for infection control within healthcare and contamination prevention within life sciences. **MAQUET** specializes in solutions, therapies and products for surgical interventions and intensive care.



ArjoHuntleigh AB
Hans Michelsensgatan 10
211 20 Malmö, Sweden