



vive®

# TOILET SEAT RISER WITH ARMS

Owner's Manual  
LVA1071

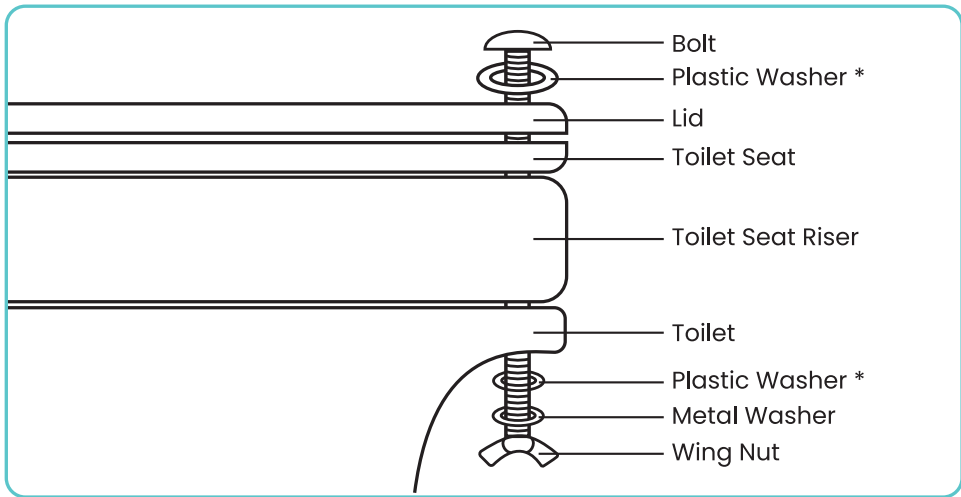
## WHAT'S INCLUDED

- 2x 6.125" Long Screws (Flat Head )
- 2x Round Plastic Washers (1.18" Outer Diameter)
- 2x Round Metal Washers (0.95" Outer Diameter)
- 2x Wing Nuts
- 1x Riser
- 2x Handles

## INSTALLATION INSTRUCTIONS

1. Fit the handles into the sockets on the sides of the riser. Each handle and socket is marked with a colored label. Press the locking pins into the handle, fit the handle into the sockets, and push in until the locking pins snap into place.
2. Unfasten the existing toilet seat and lid from the toilet and set aside.
3. Place the toilet seat riser on the toilet rim with the black grip pads down and align screw holes in back with seat mounting holes on toilet.
4. Attach the original toilet seat and lid on top of the toilet seat riser using the included hardware. Thread the screws through the holes in the back of the seat. The plastic washers are normally placed on the underside of the toilet between the toilet and the metal washer, but placement can be adjusted depending on fit.

5. Tighten each screw with the included wing nuts.



**Note:** Plastic Washer placement may vary. Place the plastic washer above the lid if needed to secure the head of the bolt. Otherwise, place plastic washer between toilet and metal washer.

## CLEANING INSTRUCTIONS

1. Clean with warm water and soap.
2. Rinse and wipe dry with a dry cloth.

## WARNINGS

- Always make sure the toilet seat is securely fastened and in the correct place before using.
- Do not use this toilet seat riser if it does not fit the style of toilet you own.
- Do not use the removable handles to support your entire body weight when transferring on or off the toilet. If the user is unsteady or can't stand on their own, please use assistance when using the toilet seat riser.
- Weight Capacity: 300 Pounds