



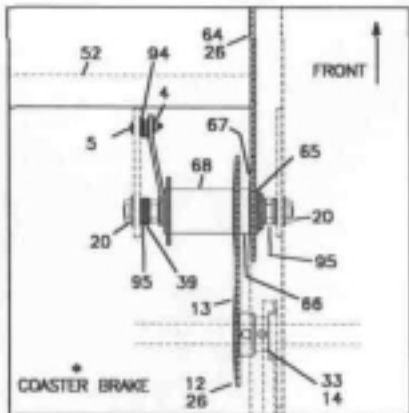
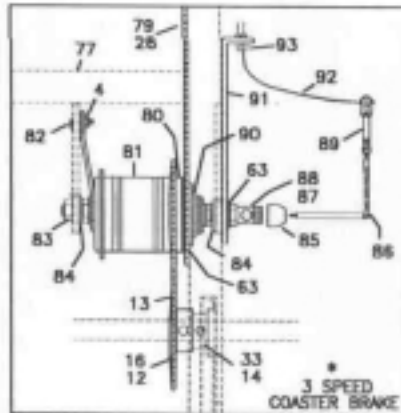
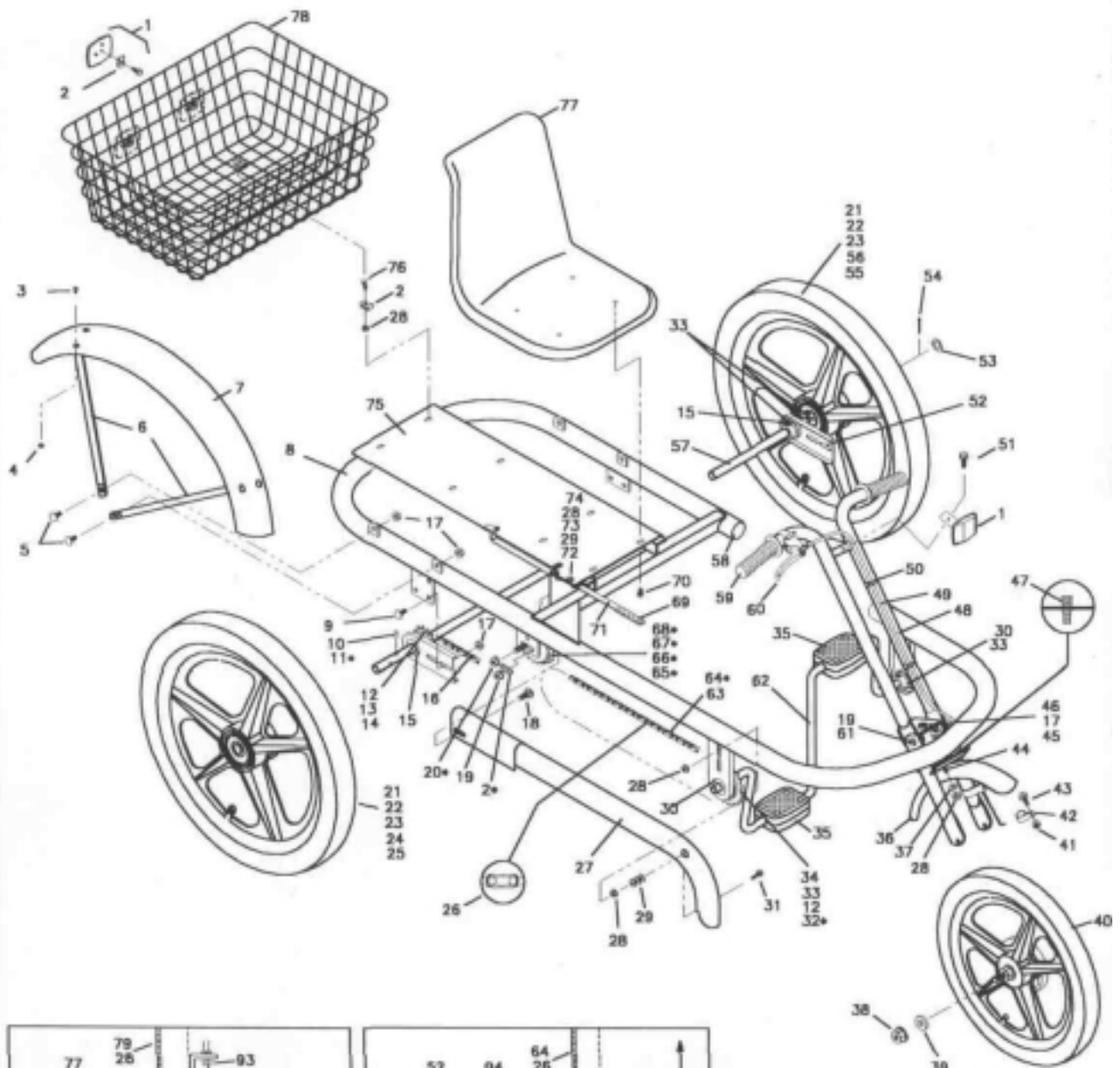
TRAILMATE

JOYRIDER



OWNER'S GUIDE

ILLUSTRATED PARTS BREAKDOWN



* OPTIONAL PARTS

JOY RIDER PARTS L ST

ITEM PART#	DESCRIPTION	QTY.	ITEM PART# DESCRIPTION	QTY.
1. 11871	TRIKE REFLECTOR KIT 1		49. 18227 BRAKE CABLE JOY RIDER 1	
2. 12069	BASKET HOLD DOWN 7		50. 12269 CABLE TIE, BLACK 2	
3. 19171	SCREW 10-32x3/8 RHMS 8		51. 12201 SCREW 1/4x3/8 HW HEAD TYPE B 1	
4. 12170	NUT 10-32 HEX KEPS 12		52. 18220 AXLE HOLDER REAR JOY RIDER 2	
5. 12208	SCREW 5/16-18x3/4 HHCS 3		53. 12240 WASHER SPACER 1x41/64x.062 1	
6. 18306	BRACE REAR FENDER JR/BP 4		54. 11070 PIN COTTER 3/32x1 1	
7. 11748	FENDER 24" MWT TRIKE REAR (OPT 2		55. 18709 WHEEL 24x1.75 MAG L. REAR 1	
8. 18204	FRAME JOYRIDER 1		56. 18207 WHEEL 24x1.75x36x.080 L. REAR 1	
9. 12215	SCREW 5/16-18x3/4 CARRIAGE 4		57. 18203 AXLE JOY RIDER REAR 1	
10. 12244	PIN ROLL 3/16x1-1/4 1		58. 18196 PLUG TUBE 1-1/2" ID 2	
11. 18860	PIN GROOVE 3/16x1-1/4 ALLOY 1		59. 11801 GRIP 7/8 BLACK 2	
12. 12246	KEY, SQUARE 3/16x5/8 2		60. 11654 BRAKE CALIPER LCK. LVR. ALLY. 1	
13. 18199	SPROCKET 13T 1		61. 16937 SCREW 3/8-16x3/4 F/H WHIZ-LOC 2	
14. 11066	SET SCREW 5/16-18x5/16 HEX 2		62. 18287 CRANK JR/DJ 1	
15. 11643	BEARING SP 2		63. 18909 SPROCKET 21T* 1	
16. 18729	CHAIN JR SHORT 59 PITCH* 1		64. 18336 CHAIN JR/DJ 151 PITCH 1	
17. 12175	NUT 5/16-18 FLANGED 8		65. 16961 HUB CB SNAP RING SHIMANO* 1	
18. 12218	SCREW 3/8-16x3/4 CARRIAGE 1		66. 16960 HUB CB DUST RING SHIMANO 1	
19. 12178	NUT 3/8-16 FLANGED 3		67. 11939 SPROCKET 21T CB SHIMANO* 1	
20. 19153	NUT AXLE SHIMANO* 2		68. 11667 HUB CB TRIKE SHIMANO* 1	
21. 11961	TIRE 24x1.74 BSW 2		69. 17160 GRIP DEPTH CNTRL 3/8x2.25 1	
22. 11976	TUBE 24x1.75 2		70. 12199 SCREW 14x3/4 TYPE A HEX HD 4	
23. 11985	RIM STRIP 24x1.75 2		71. 18221 LEVER SEAT JR/DJ 1	
24. 12012	WHEEL 24x1.75x36x.080 R. REAR 1		72. 17348 SPRING JR/JUNR/DJ/LATCH KEY 1	
25. 18239	WHEEL 24x1.75 MAG R. REAR 1		73. 18089 SCREW 1/4-20x7/8 FLANGE HEAD 1	
26. 11679	CONNECTING LINK 1		74. 11061 NUT NYLON 14-20 NYLON INSERT 1	
27. 18201	CHAINGUARD JR 1		75. 18216 BASE SEAT JOY RIDER 1	
28. 12172	NUT 1/4-20 FLANGED 9		76. 11121 SCREW 1/4-20x5/8 HHCS 4	
29. 12232	WASHER 1/4 SAE 3		77. 18206 SEAT JOY RIDER 1	
30. 11642	BEARING AXLE 5/8 ASF 107E 2		78. 11639 BASKET 1	
31. 11120	SCREW 1/4-20x3/4 FLANGE HEAD 1		79. 18757 CHAIN JR LONG 113 PITCH* 1	
32. 11952	SPROCKET 22T SOLID W/ ADAPTER* 1		80. 18983 DUST RING S/A* 1	
33. 12241	SET COLLAR 5/8 5		81. 18913 HUB 3SPCB TRIKE W/ 22 SPKT* 1	
34. 19238	FREEWHEEL 22T & ADAPTER JR 1		82. 12193 SCREW 10-32x1 PHIL PAN HD HD MS 1	
35. 19211	PEDAL ASSY. JR/JUNR/DJ 2		83. 18049 NUT AXLE STURMY ARCHER* 1	
36. 13994	FENDER 20" CHR JR/JUNR/DJ 1		84. 18986 WASHER ANTI-TURN S/A* 1	
37. 12236	WASHER 5/16 SAE 3		85. 18993 INDICATOR PROTECTOR S/A* 2	
38. 19002	NUT 3/8-24 FLANGED 2		86. 18997 INDICATOR CHAIN 3SPD. S/A* 1	
39. 12301	WASHER 3/8 FLAT SAE 8		87. 18985 NUT AXLE RIGHT S/A* 1	
40. 11078	WHL 12.5x2.25 W/TIRE/TUBE/BB 1		88. 18984 WASHER SPROCKET SPACER S/A* 1	
41. 19154	BAND BRAKE ARM NUT 1		89. 18998 ADJUSTING BARREL S/A* 1	
42. 19156	BAND BRAKE ARM STRAP 1		90. 18982 SNAP RING S/A* 1	
43. 19155	BAND BRAKE ARM SCREW 1		91. 18746 HUBHOLDER 3SPCD GUIDE* 1	
44. 11274	SCREW 1/4-20x5/8 CARRIAGE 1		92. 18995 CABLE 3SPD. S/A* 1	
45. 18197	SCREW 5/16-18x5 CARRIAGE 1		93. 12285 HUB 3SPCB PLASTIC STOPPER* 1	
46. 18337	FORK JR/DJ 1		94. 12239 SPACER 1/2 CB/3SPCB* 1	
47. 17851	ADJ. BARREL & NUT BB		95. 19103 WASHER 3/8 EXT. TOOTH* 2	
48. 18210	HANDLEBAR JOYRIDER 1			

• OPTIONAL PARTS

TOOLS REQUIRED

3/8" WRENCH PLIERS
DRIFT PUNCH

1/2" WRENCH
5/32" ALLEN WRENCH
HAMMER

9/16" WRENCH COMMON
SCREWDRIVER

ADJUSTABLE WRENCH
PHILIPS SCREWDRIVER

Joyrider Assembly Instructions

1. Preparation

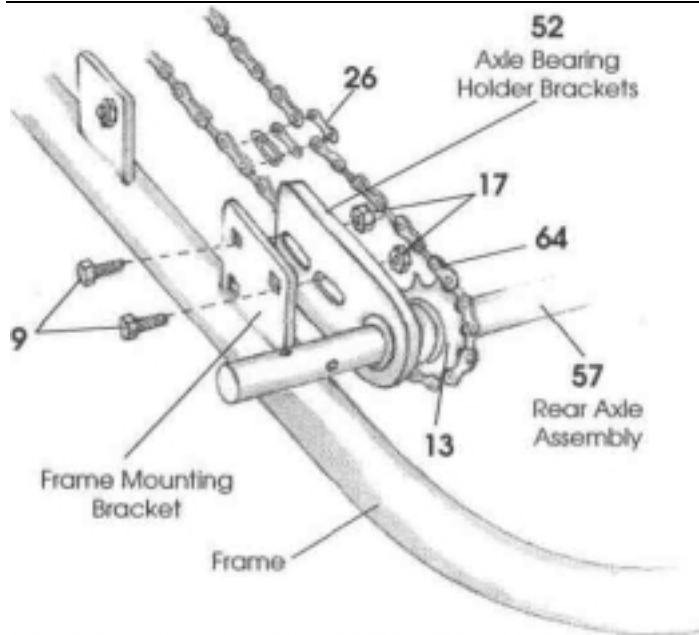
Remove all parts from the carton. Do not remove protective wrapping until necessary. Open the parts bag and verify that all parts are present (refer to the illustrated parts list). Check tire air pressure and inflate to 35 psi. Make sure tires are properly seated on rims.

2. Rear Wheels/ Axle Assembly

(For Coaster Brake or 3-Speed Coaster, see instructions enclosed in carton.)

Lay the frame assembly upside down and position the rear axle assembly (57) between the frame mounting brackets (see figure 1). The chain sprocket on axle must be on the same side as the chain sprocket at the pedals. Attach the two axle bearing holder brackets (52) on the axle assembly to the inside of the frame mounting brackets with carriage bolts (9) and lock nuts (17). Do not tighten nuts until the chain has been installed (next step).

(Cycle Upside Down)



(Right)

(Left)

Fig.1

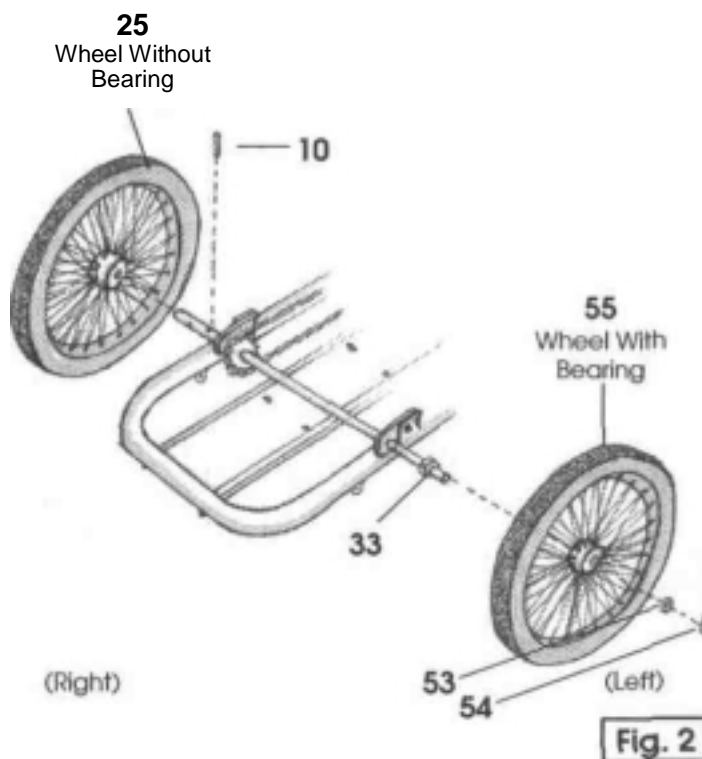
(Cycle Upside Down)

3. Chain

Install chain (64) over drive sprocket and rear sprocket (13) and join with connecting link (26) (see figure 1). Once chain is installed, evenly pull back on the axle assembly until the chain is tight. Tighten the lock nuts (17), securing the axle bearing brackets to the frame.

4. Rear Wheels

Slide rear wheels onto the axle shaft of the frame assembly (see figure 2). Note: Rear wheels may look similar, but each is different. The left wheel is "free-wheeling" on the axle shaft and therefore contains bearings in its center hub; the right wheel attaches solid to the axle shaft and does not require bearings. Failure to recognize the difference will cause damage to the non-bearing wheel. Secure the left wheel (55) on the axle with washer (53) and cotter pin (54), **then slide the set collar (33) flush against the wheel (see figure 2)**. Secure the right wheel (25) on the axle with a roll pin (10). Do not damage wheel with hammer while installing pin.



(Right)

(Left)

Fig. 2

5. Front Wheel

Lay the frame assembly on right side, with the frame opening facing upward. Place the front wheel with brake assembly (40) in the fork, with the brake on the left side (see figure 3). Rotate the brake assembly so the mounting portion points upwards and toward the frame. Attach the brake strap (42) by bending it into a "U" shape and sliding it over the left fork tube, from the bottom up. Align with brake assembly and insert screw (43) and nut (41). Secure with washers (39) and lock nuts (38).

6. Handbrake

At the front wheel, loosen the lock nut on the brake cable bracket (see figure 3). Push the brake cable through the hole in the cable bolt. Pull the brake cable bracket upwards, while pulling as much cable as possible through the hole in the bolt. Make sure the brake cable is seated properly in the handgrip and that the adjustable "barrel nut" at the fork is protruding below the fork plate as far as possible. Secure the lock nut on the brake bracket to hold the cable in place. Note:

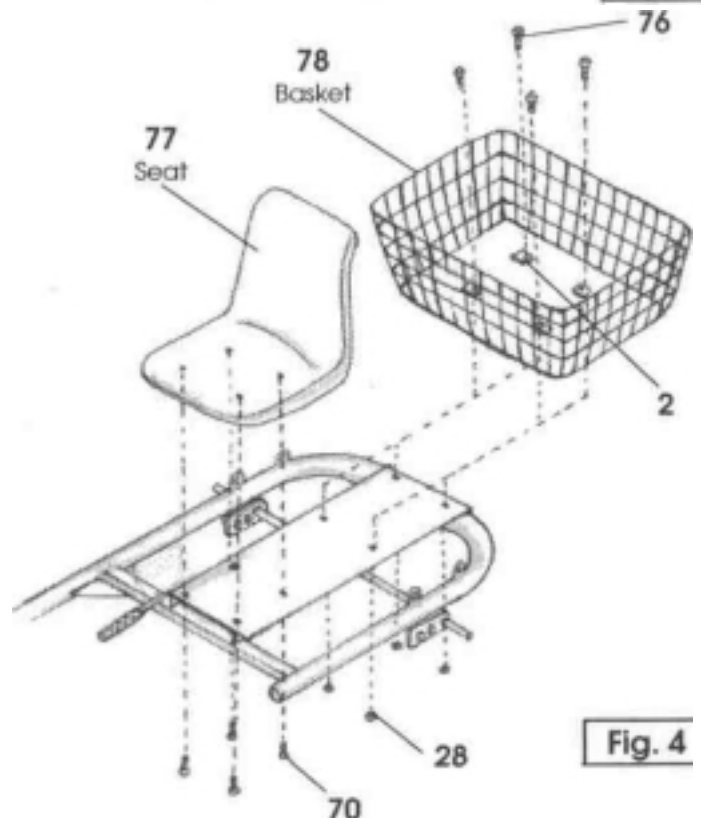
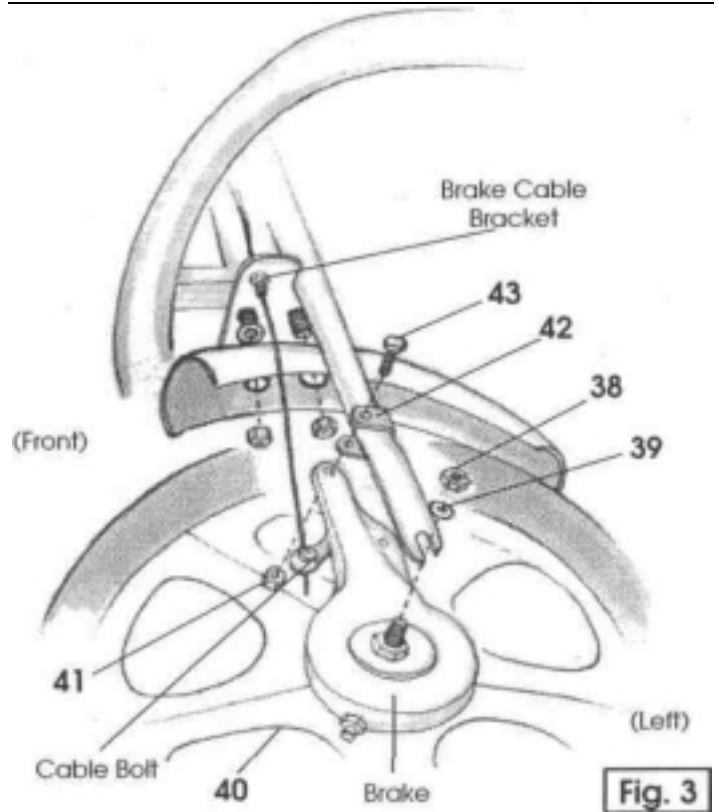
The handbrake may require further adjusting before riding.

7. Seat

With Joyrider on its side, position the seat (77) over the mounting holes in the frame plate (see figure 4). Insert screws (70) and secure seat.

8. Basket

With Joyrider in an upright position, place the basket (78) onto the frame plate. Place the four basket holddown brackets (2) over the basket wires and secure with screws (76) and nuts (28) to the frame plate.



9. Reflectors

Install red reflectors on the back of the basket (see schematics). Place the basket holddown (2) over the basket wire and attach reflector with screws provided in reflector kit. Repeat for other side, the reflectors should be about one foot apart. Install the reflectors onto the rear wheels with screws provided.

10. Rear Fenders

Attach fenders to braces using screws (3) and nuts (4). Install fender assembly to frame mounting brackets with screws (5) and nuts (17). It may be necessary to adjust fender to properly fit over wheel, by bending braces.

11. Final Adjustments

Before riding, apply the handbrake. If stopping action is not quick and sure, the cable must be tightened. To tighten: loosen the nut at the bottom of adjusting barrel (bottom of fork plate) and turn the nut at top counterclockwise. When stopping action is firm, lock the nuts at the top and bottom firmly. Complete by installing handgrips (59).

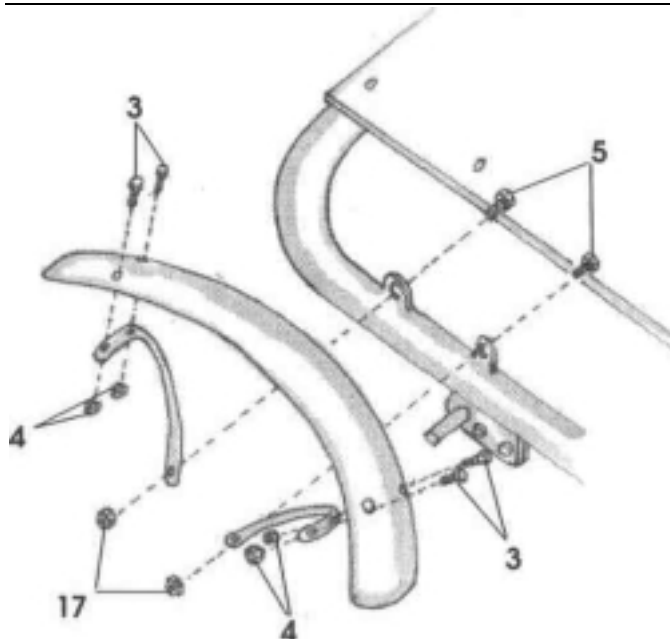


Fig. 5

MAINTENANCE AND INSPECTION

REGULAR MAINTENANCE: Bi-Monthly

1. Keep all painted parts cleaned and waxed for a long-lasting luster
2. Spray all chrome parts with recommended protective spray coating (LPS-1, WD-40, etc.). When spraying with protective coatings, it is recommended that you let parts set overnight so the coating will penetrate.
3. Lubricate the following:
 - Axle shafts
 - Chain - turn pedal crank forward and spray freely
4. When storing over prolonged periods, turn upside down to prevent flat spots from occurring on the tires. If stored outside, cover to protect finish and moving parts.

PREVENTIVE MAINTENANCE: Every Six Months These are services that should be performed

by your local bicycle shop. A fee may be charged.

1. Check tires for wear, rim cuts and valve core alignment (usually caused by improper air pressure)
2. Check wheels for cracks and alignment.
3. Check brakes for proper operation
4. Clean and repack all bearings and adjust all cones
5. Check for worn bearings, cones and cups
6. Check chain for adjustment and clean as needed
7. Check for loose bolts and nuts.

Attention: While your unit is new, some noises may occur when the unit is breaking in. Should they continue for more than 30 days, see your local bike shop.

INSPECTION

Check the following, as it applies to your cycle, on a regular basis:

1. Hand Brake: Make sure the brake engages, by squeezing the hand brake.
2. Wheels: Check wheels for alignment.
3. Pedals: Inspect pedal bearings and make sure pedal is tightly attached to crank.
4. Handle Grips: Replace worn or loose grips.
5. Chain: Check for proper tightness. Replace damaged chain immediately.
6. Seat: Adjust seat for rider comfort and safety.
7. Tires: Keep tires inflated to the recommended tire pressure, as indicated on the tire's sidewall.
8. Chainguard: Replace damaged or missing chainguard immediately
9. Frame: Replace damaged frame immediately.



TRAILMATE

2359 Trailmate Drive
Saraso+a FL 34243
(941)755-5511
Fax:(941)758-5141

For service or to order
replacement parts,
please contact your
local Trailmate dealer.

JOYRIDER

This is a recreational unit, not designed for excessive speeds or misuse. Careless operation may cause rider to lose control and result in serious injury.

Do not brake or turn at high speeds; this may cause cycle to roll-over and rider injury.

Things to know before riding your cycle:

1. Know your local bicycle laws and wear a helmet
2. Do not exceed the recommended weight limit of 250 lbs
3. No more than one rider at one time
4. Do not stand on unit
5. Be sure to install safety flags
6. Wear light-colored clothing and protective gear
7. Do not ride at night

Trailmate Limited Warranty

Trailmate, Inc., guarantees each cycle product against all defects in materials and workmanship for a period of 90 days from date of purchase. Tires and tubes are not covered by this guarantee.

During this period, any part that is judged by the makers to be defective will be replaced free of charge. Any failure resulting from accident, abuse, neglect, normal wear, or improper assembly or maintenance by the owner is not covered.

Trailmate, Inc., further authorizes a lifetime frame guarantee and will replace any frame, at no cost to the buyer, providing that item has not been used for rental use and that:

- 1) The item has not been altered, repaired, or modified in any way.
- 2) The item has not been subject to misuse, negligence, and/or an accident.
- 3) Original ownership is established.

Any parts under this guarantee on which claims are entered shall be returned for inspection with transportation charges prepaid by the claimant. Replacement parts will be shipped F.O.B. factory.

There are no warranties or guarantee, expressed or implied, written or oral, which extend beyond the description on the face hereof.

#18338 6/98 ^

TRAILMATE owner's guide

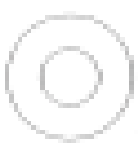
ITEM PART#19171 (8)
#03 SCREW 10-32x3/8"



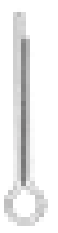
ITEM PART#19154 (1)
#41 BAND BRAKE NUT



ITEM PART#12201 (2)
#39 WASHER



ITEM PART#19109 (1)
#34 PIN COLLAR 5/16x1



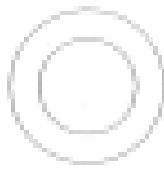
ITEM PART#19129 (1)
#43 BAND BRAKE SCREW



ITEM PART#12170 (8)
#04 NUT 10-32 HEX HEADS



ITEM PART#12240 (1)
#53 WASHER SPACER



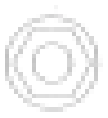
ITEM PART#12244 (1)
#10 PIN ROLL 5/16x1-1/4"



ITEM PART#18609 (4)
#76 SCREW 1/4-20x3/8"



ITEM PART#12172 (4)
#28 NUT 1/4-20 FLANGED



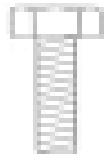
ITEM PART#19158 (1)
#42 BAND BRAKE STRAP



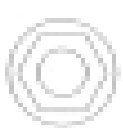
ITEM PART#12008 (6)
#02 BUSHET HOLD DOWN



ITEM PART#12208 (4)
#05 SCREW 5/16-18x3/4"



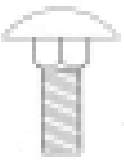
ITEM PART#12175 (8)
#17 NUT 5/16-18 FLANGED



ITEM PART#19202 (2)
#38 NUT 3/8-24 FLANGED

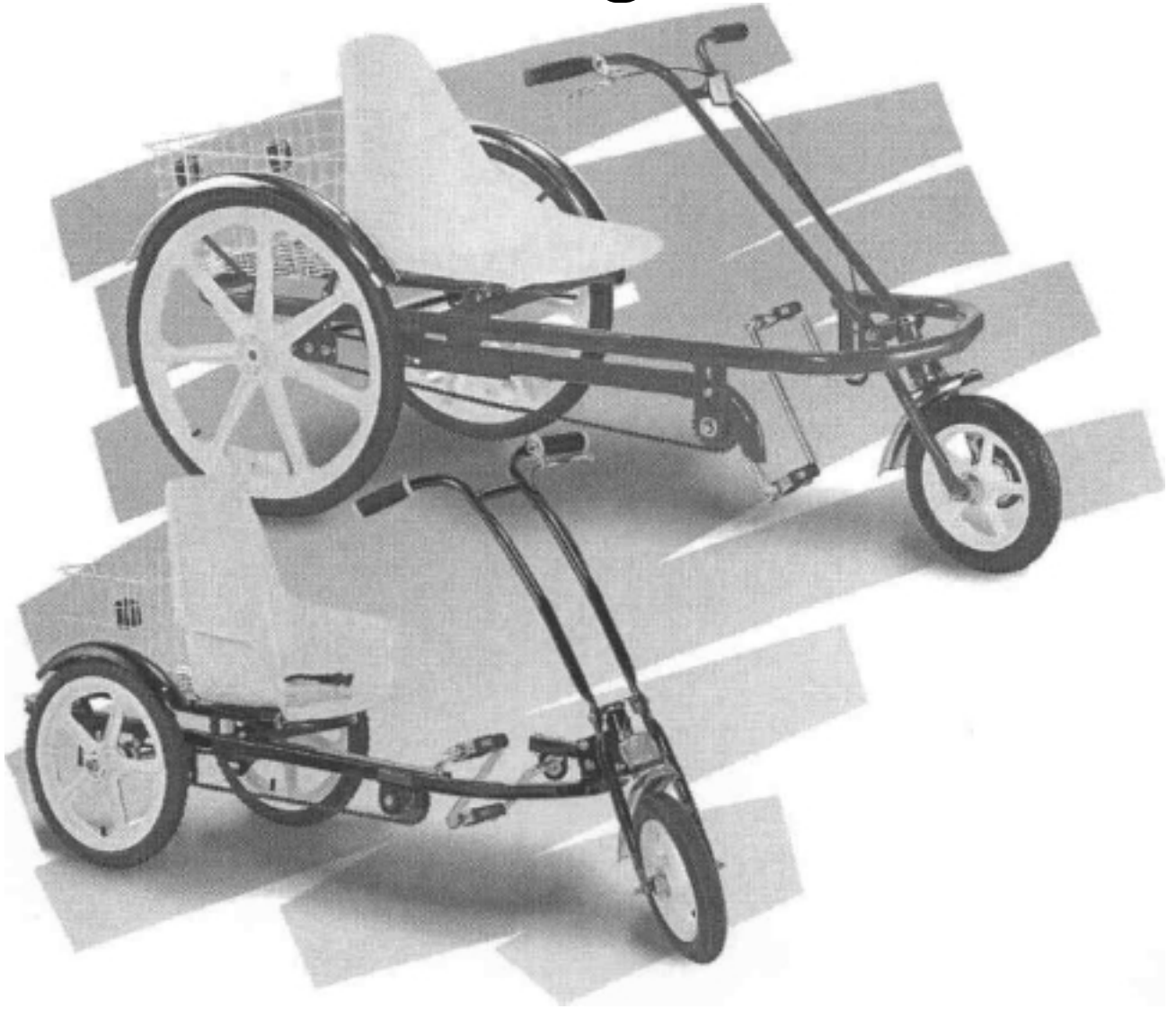


ITEM PART#12219 (4)
#09 CRCL 5/16-18x3/4"



ILLUSTRATED PARTS LIST (JOYRIDER)

Get Going!!!



**Joyrider and
Jr. Joyrider**

TRAILMATE owner's guide