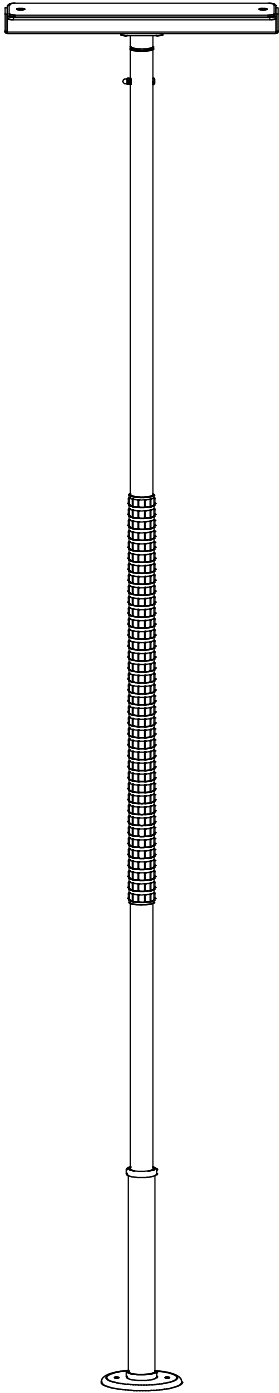


# TITAN BALANCE ASSIST POLE with SafetyGrip®

SG650



## Table of Contents

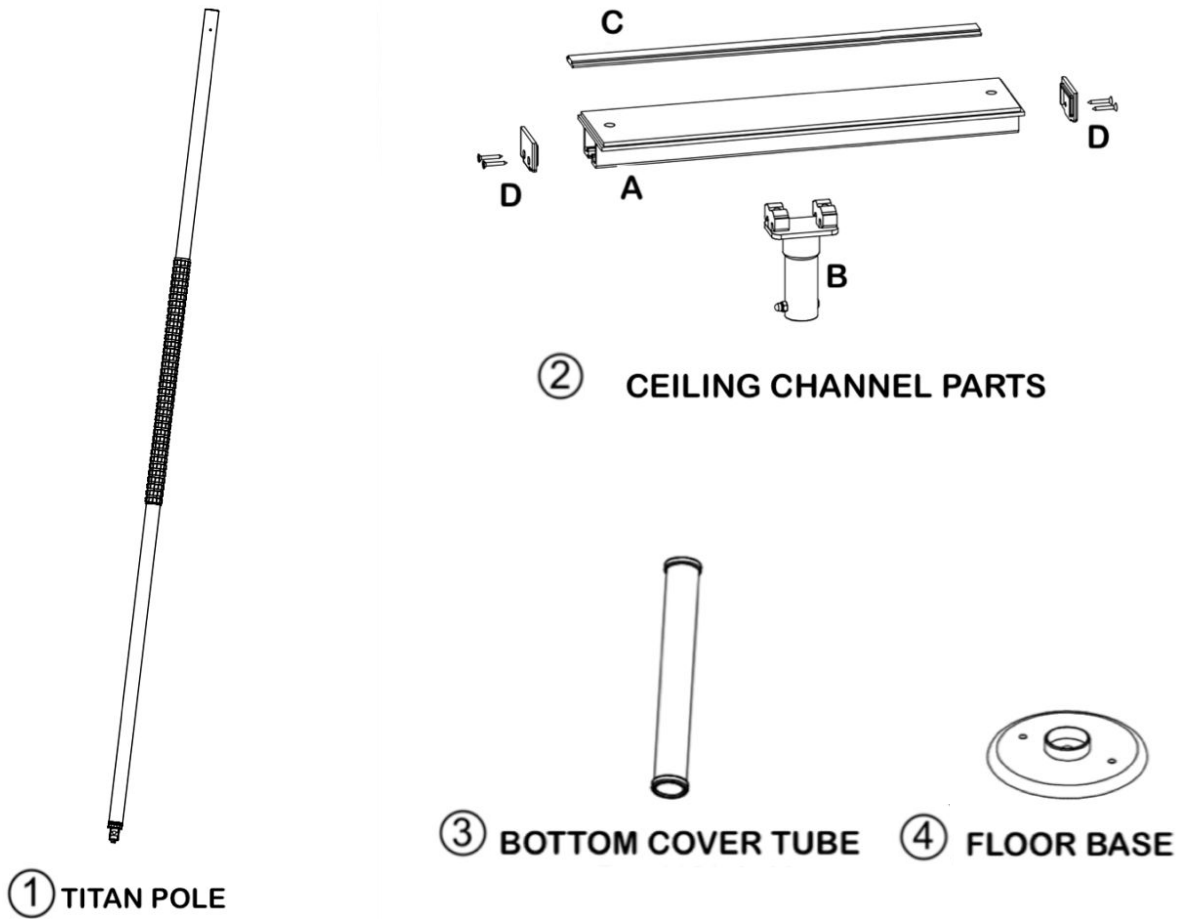
- Warnings and Cautions for Poles (2 Pages)
- SG650 Installation Instruction (7 Pages)

## Specifications:

- Product Name: TitanHD Pole
- Product#: SG650
- Maximum User Weight: 500lbs (230kg)



# KIT CONTENTS



## Tools Included



# PRODUCT INFORMATION

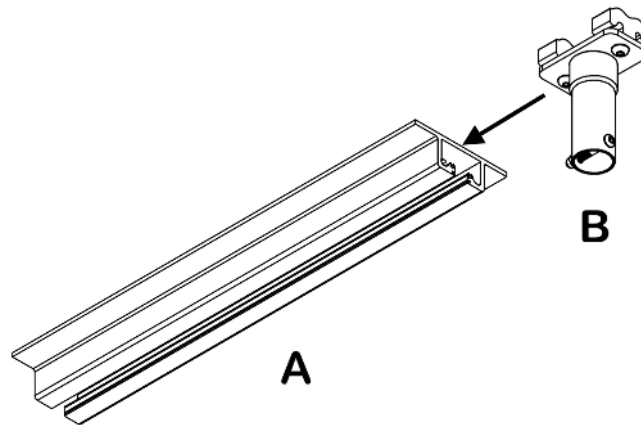
Titan Poles feature our patented interlocking SafetyGrip® and the long-lasting protection of embedded antimicrobial AlphaSan® RC5000 silver ions powder for all parts except hardware.

- Titan poles are assistive products that may be affixed between floors and ceilings.
- The Titan pole is a tension mount stability and positioning aid that will be subjected to significant lateral (sideway) loads when in use. It is your responsibility to ensure that the Titan pole is correctly installed and maintained as per these **ASSEMBLY INSTRUCTIONS** provided.
- Titan poles have 6 inches of height adjustment and are designed for installation where the ceiling height is between 7'-9" to 8'-3" (235 – 250cm).
- The Titan pole is designed to assist with sit-up, reposition, balance, stand, or transfer for persons weighing up to 500lbs (230kg) and is **not designed** to bear the full weight of the user.
- Do not use the Titan pole with a waterbed or inflatable bed.

## INSTALLATION

### STEP 1: Assemble The Ceiling Channel

First put on safety glasses, and then you must partly assemble the Ceiling Channel. Take Part B and slide it into the end of the Ceiling Channel Part A. Tighten the two BHC Bolts in Part B to secure Part B while you are assembling the Titan pole.

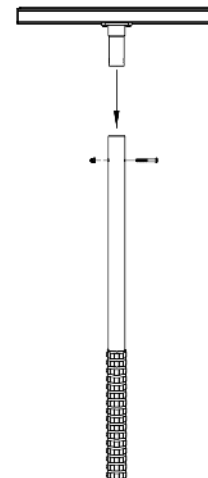


STEP 1

## STEP 2: Join the Ceiling Channel Assembly with the Pole Upper Tube

Take the Titan pole Item 1 and the Ceiling Channel Item 2 and slide them together. Insert the Bolt, add the Dome Nut and tighten them securely using the Hex Key and Wrench .

**INSTALLER NOTE:** You have the option of doing STEP 7 and STEP 9 now while the Titan pole is on the floor.



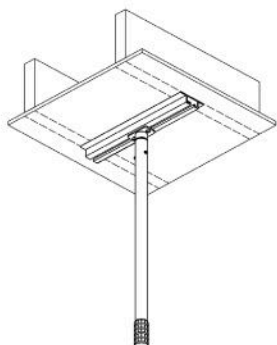
STEP 2

## STEP 3: Locate the Ceiling Joists

### OPTION 1:

Mount Ceiling Channel spanning two ceiling joists;

Locate the joists behind the ceiling membrane and mark them. Using a stud finder is recommended.



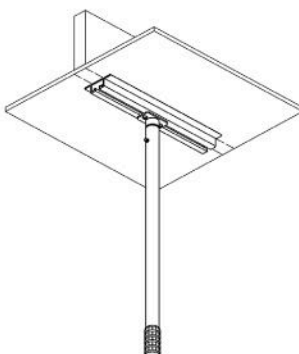
OPTION 1

SPANNING TWO JOISTS

### OPTION 2:

Mount Ceiling Channel lengthways along one joist;

Locate the joist behind the ceiling membrane and mark it. Using a stud finder is recommended.



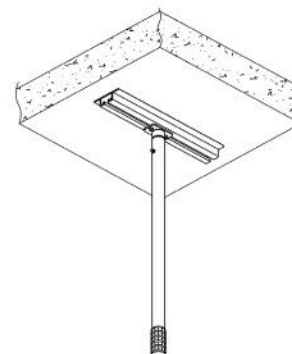
OPTION 2

LENGTHWAYS ON ONE JOIST

### OPTION 3:

For Solid Construction Ceilings;

Solid Ceilings are common in apartment buildings. The Pole can be mounted anywhere on this type of construction. The fasteners for this option are not supplied.



OPTION 3

SOLID CONSTRUCTION CEILING

You are now ready to stand the Pole Assembly up between the floor and the ceiling. This is easier with two people.

## STEP 4: Stand the Pole up in position

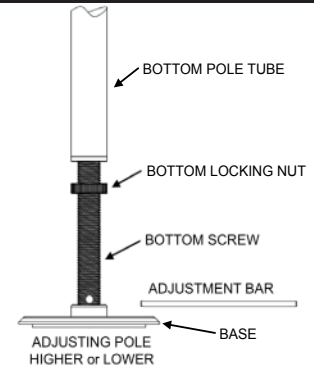
Put the Titan pole into the Floor Base Item 4 and stand it up. Align the Ceiling Channel with the marks you made in Step 3.



## STEP 5: Pole Height Adjustment

You can adjust the height of the Titan pole by turning the Bottom Screw until the Ceiling Channel is touching your Ceiling. You can use the Adjusting Bar supplied to help you do this.

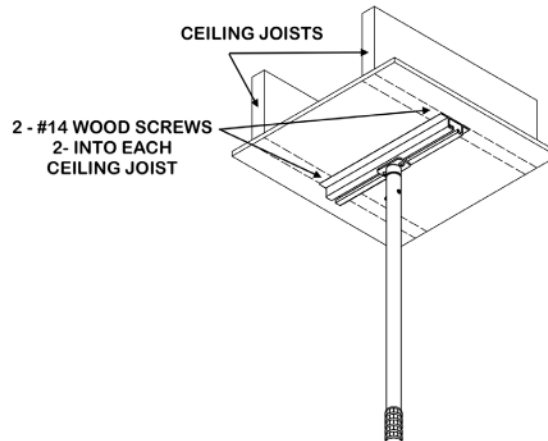
**Installer Note:** Slide the Bottom Cover Tube Item 3 up out of your way while you are doing this step.



## STEP 6: Screw the Ceiling Channel to the Ceiling Joists or Solid Ceiling

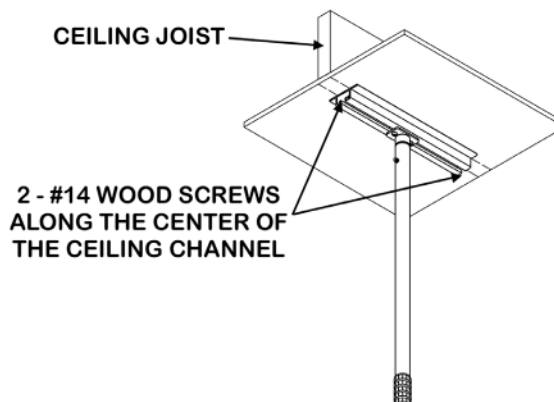
### OPTION 1: Mount Ceiling Channel spanning two ceiling joists:

Move the Ceiling Channel Assembly until it is spanning the two joists that you marked and will attach to. Mark the two holes through the Channel, one each end, move the Channel and drill 5/32 inch pilot holes for the wood screws. Put the Channel back into position and screw the Channel to the Joists using the wood screws supplied.



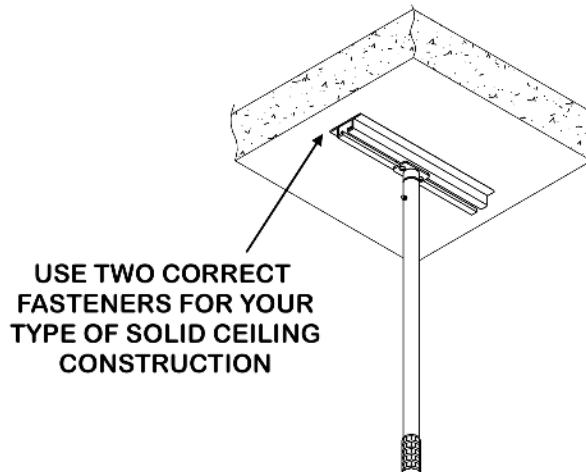
### OPTION 2: Mount Ceiling Channel lengthways along one joist:

Move the Ceiling Channel Assembly until it is located along the center of the joist you marked where you will attach it. Mark the two holes through the center of the Channel, move the Channel and drill 5/32 inch pilot holes for the wood screws. Put the Channel back into position and screw the Channel to the Joist using the wood screws supplied.



### OPTION 3: For Solid Construction Ceilings:

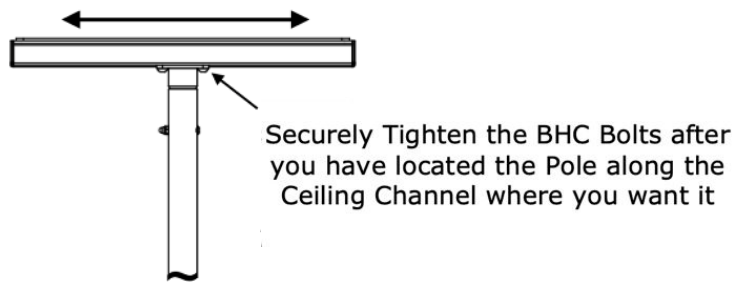
Locate the Channel where you wish to attach the Pole. Mark the two holes through the Channel, one each end. Move the Channel and drill the holes to suit the hardware that you have selected to screw the Channel to the Ceiling. Put the Channel back into position and securely attach the Channel to the Ceiling.



### STEP 7: Pole Alignment

You can now decide where you want the Titan pole located along the length of the Ceiling Channel.

Loosen the two BHC Bolts and move the Titan pole and the Sliding Channel along the Ceiling Channel to where you want it, then securely re-tighten the two BHC Bolts.



YOU CAN ADJUST THE TRAPEZE LOCATION ALONG THE CEILING CHANNEL

### STEP 7

### STEP 8: Final Pole Height Adjustment

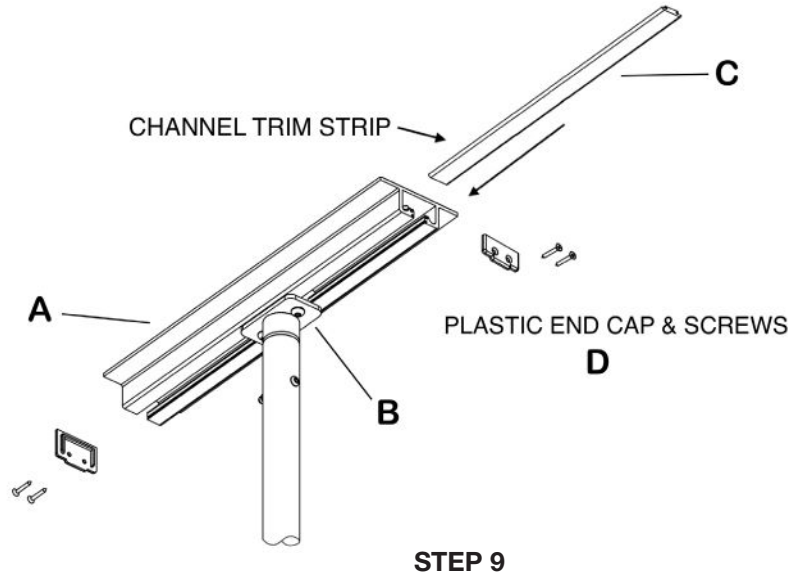
You are now ready to finally tighten the Titan pole. Before you do, check that the Titan pole is perpendicular (90 degrees) to the floor in all directions using the level supplied. When it is perpendicular and where you want it to be, tighten the Titan pole using the Adjustment Bar.

**Installer Caution:** Do not overtighten the Titan pole because it could damage your ceiling.

## STEP 9: Add the trim parts to the Ceiling Channel

Take the Channel Trim Strip Part C, and slide into one end of the Ceiling Channel Part A. Mark it at the end of the channel, cut where the mark is and slide it back into the channel. Repeat this on the other side of the channel. Now screw the two plastic End Caps Part D onto each end of the channel using a philips screw driver.

**Installer Note:** You can cut the Channel Trim Strips using strong scissors or a fine blade hack-saw.



## STEP 10: Final Checks

Ensure the Titan pole is safe and secure by grasping the Pole mid-height and push and pull vigorously. The Base or Ceiling Channel should not slide or move if the Titan pole is tensioned correctly.

When the Titan pole is tight and secure, tighten the Bottom Locking Nut against the bottom of the Pole using the Adjustment Bar.

# MAINTENANCE AND CLEANING

- **VERY IMPORTANT:** It is important to inspect the Product(s) frequently.
- Stop using immediately if damaged or broken, or if parts are missing.
- Stop using immediately if Product(s) shift out of the original installed position(s) until they are readjusted into the correct position.
- To clean your Titan pole, use a damp cloth with soap and water or mild household cleaner, wipe clean and dry before using. wear and tear.



Hartmobility reserves the right to update and revise our products. Refer to our website for the most up-to-date version of this document.

