



TR 900SS

Bathtub

*Hygiene Equipment
Designed for People*

TR 900SS The Friendly bath

The friendly functional design of the TR 900SS integrated bathtub and panel makes it simple and convenient to operate. The smooth and soft design also makes it easy to clean and maintain.

CE



Registered at Medical Products Agency, Sweden, as a MD Class 1 product, MDD 93/42EEC.

TR reserves the right to make design changes and/or improvements without notice.



The TR 900SS Whirlpool models improve the patient's well being. The relaxing whirlpool effect stimulates the circulation and assists in washing the patient.

The TR 900SS Autofill bath models are even more simple and efficient for the staff to use. No waiting or observation time when prefilling the bathtub.



TR EQUIPMENT



TR 900SS Bathtub

Hygiene Equipment
Designed for People

Features

- The 3/4" (22 mm) thermostatic mixing valve, the 3/4" internal piping and the double filling spouts give a good water flow and short filling time.
- The digital LED thermometer shows the shower and bathtub filling water temperature and the Autofill models also show the still water temperature in the bathtub.
- The cleaning system with yellow hose (see picture) is mixed with cold water to minimize inhalation of the cleaning mixture, which is pre-set at the factory to avoid unnecessary alteration.
- Unique whirlpool inlet cleaning adapter. The whirlpool bath models allow you to regulate both jet direction and the quantity of air.
- The extra width of the bathtub at the head end allows more space for arms and shoulders and is an advantage when shampooing. The double skin bathtub minimizes heat loss. TR 900SS is delivered with an adjustable Foot support.



TR 900SS



TR 900SS Cleaning model

Application Examples

Integrated with the TR 9650 Mobile Patient Combilift the system provides a safe moving and handling for both patient and attendant. During the bathing cycle the client never leaves the comfort and security of the chair or stretcher.



Specifications

Length	2325 /92"
Width	830 mm / 33"
Typical lift speed, no load	18 mm/s
Working Load Limit	150 kg (330 lbs)
Operating height range (bathtub)	610 - 940 mm / 24" - 37"
Power Supply	230 V, 50 Hz / 110 V, 60 Hz
Overall weight (empty)	appr 265 kg

Bath models:

TR 900SS	Standard
TR 900SS C	Cleaning System
TR 900SS CW	Cleaning and Whirlpool System
TR 900SS A	Autofill
TR 900SS CA	Cleaning and Autofill
TR 900SS CWA	Cleaning, Whirlpool and Autofill

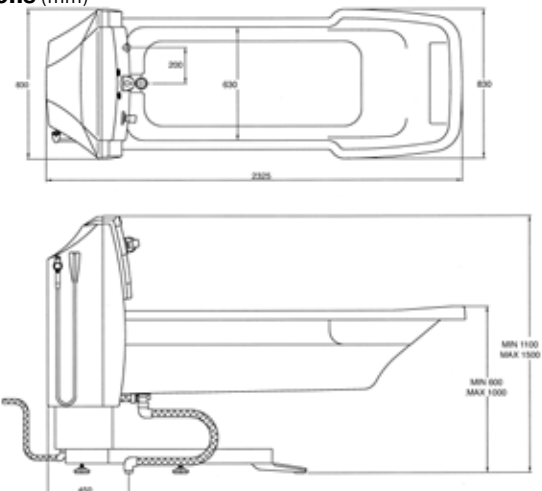
Options

Bathtub and panel can be packed as two units (one crate and one box)

Accessories

Transport wheel beam and set of loading ramp
Installation set TR 900SS, TR 900SSC/TR 900SSCW
Head pillow, Local treatment in combination with Whirlpool

Dimensions (mm)



TR EQUIPMENT