

AN INFORMATION  
MOBELI EDITORIAL DEPARTMENT PTL  
ISSUE #3 2012 - 1ST EDITION

# MOBELI®

Mobile grab handles - ingeniously simple and safe.

## Safety with System

The first mobile grab handle system that permanently monitors the vacuum state and thus its adhesive strength.

## QuattroPower

QuattroPower stands for an extraordinary versatile supporting system.

## CHROMLOOK

Classic and timelessly beautiful.

CHROM  
LOOK  
Premium



# MOBELI®

## Suction pad

A particularly large vacuum volume ensures that the Mobeli suction pad is permanently reliable and never loses its adhesive strength.

## Telescopic grab bar

Just clip it in and you're done.

## Plug-in system with quick lock

The Mobeli building block principle - versatile and modular.

## Mobeli vacuum safety indicator

This innovation of the Mobeli grab handles is simply revolutionary: **The first grab handle that permanently measures the vacuum state - and thus its own adhesive strength.** The Mobeli safety jack continuously examines the vacuum. If the warning jack is sunk flat in the lever, the adhesive strength is correct and the grip is fully able to carry its load. If the warning jack rises and the red edge of the jack becomes visible, the Mobeli suction head must be released and fastened anew. The safety indication is also suitable for persons with impaired eyesight because in case of vacuum loss the risen warning jack can easily be felt. This visual and tactile recognisability conforms to the protection goals of DIN 18040 (see page 29).

Mode of operation of the Mobeli safety jack: The vacuum is permanently monitored



### Maximum safety

Indicated nominal carrying load with 1.5 times safety allowance (thus, e.g., 70 kg nominal carrying load corresponds to 105 kg test load).



### Approx. 100% load capacity

Nominal carrying load (e.g., 70 kg) without safety buffer. Attention: Reattach now!



### Attention: RED Alert

The vacuum volume of the grab handle has been used up. Must be reattached immediately!

The only condition for the Mobeli holding system is a firm, plane, and poretight surface for attachment.

You can find a comprehensive explanation of the term "nominal carrying load" on page 29.

All CE marked products are medical devices class I and tested by the German Technical Inspection Agency TÜV SÜD. The abovementioned products conform to the directive 93/42/EWG.



We have developed the telescopic grip to enable you to attach the grab handle independently of the tile grid. The grab bar has a standard diameter of 35 mm and of 24 mm in the telescopic area that can be extended for another 125 mm as an additional gripping area. If desired, a name or a motive can be lasered into the grab bar, or also a high-contrast pattern applied for the visually impaired.

## Telescopic grab handle

---



All Mobeli grab handles (including adapters, joints, etc.) can be conveniently installed without any tools and just as easily disassembled for travelling. Our plug-in system enables versatile combinations of the modular Mobeli system - just clip it in and it's done. The quick-lock coupling is manufactured of stainless steel, as are all metal parts of the Mobeli system.

## Quick-lock coupling

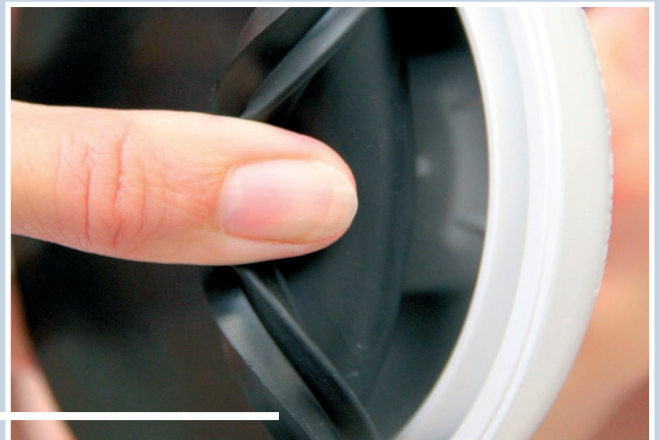
---



The internal interlocking of the Mobeli suction pad and vacuum head results in a substantially higher shear force. Two (or four with Quattro) 120 mm suction pads, made of special rubber, are even suitable for slightly structured bathroom and WC tile surfaces. The particularly large vacuum volume ensures that the Mobeli suction pad is reliable and retains its adhesive strength for a long time.

## Suction pad

---



Mobeli supporting devices are particularly well-suited for travelling, i.e., they are quickly and simply assembled and just as easily disassembled, they are light-weight, and they take up little space in your luggage.

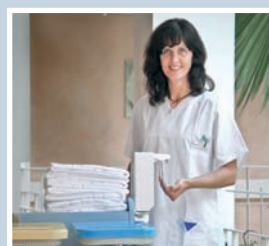
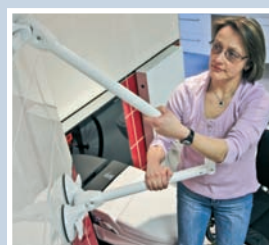
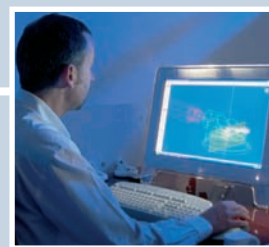
## Travelling Buddy

---



# Mobeli - the innovative original

Page	The Mobeli system in overview
2-3	Safety - the most important thing first
4-5	Quality - Made in Germany
6-9	Fixed length and telescopic grab handles
10-11	Angle-adjustable hand rail and adapter
12-13	Mobeli kids - for small hands
14-17	QuattroPlus, QP adapters and special orders
18-21	QuattroPower Support - versatile support system
22-23	QuattroPower Tub - comfortable bath tub entry
24-27	Mobile assistants - small aids, large effect
28	Mobile stabilisation grips
29	The blue page - explanation barrier-free concept DIN 18040
30-31	Visual protection and splash guard
32-33	Bathtub shortener and tub tray
34-35	CHROMLOOK Premium and combinations
36-37	Care professionals - mobile assistants for care
38-39	Barrier-free movement - mobility at the hotel
40-41	Mobeli endurance test - film work in the Mobeli test lab
42-43	ROTH - tilting mirrors and finger-back operated dispensers
44	Contact - How you can reach us

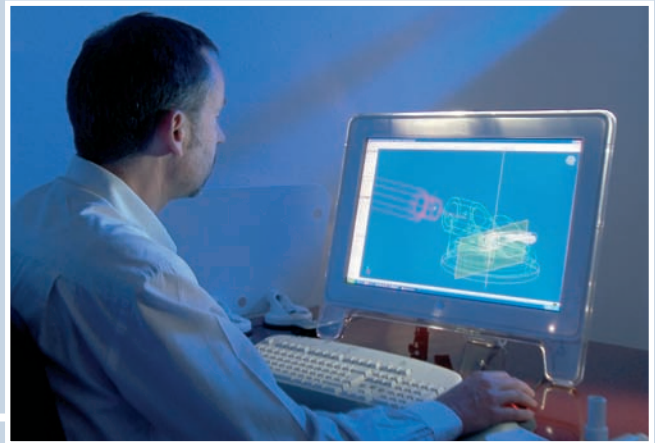


# MOBELI®

Safety - the most important thing first.

The developers of Mobeli themselves, have worked in the handicap industry for many years. Based on their experiences, they were able to design and manufacture many helpful devices suitable for everyday use in their own enterprise since 2000. The close proximity of development and manufacturing in our own workshops ensures the high quality of all products of the Mobeli system.

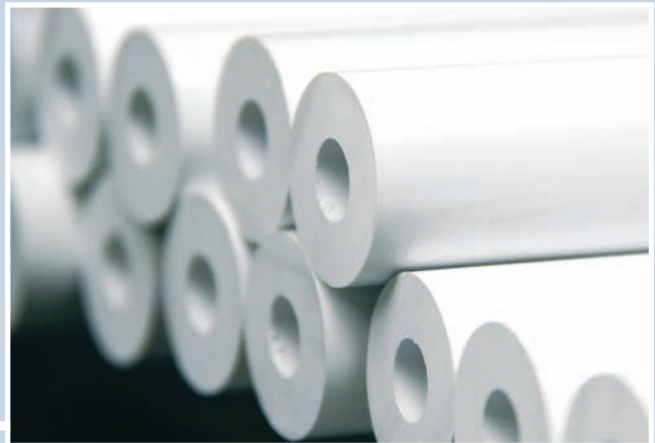
## Living development



The quality of the materials from which our grab handles are manufactured must withstand high and constantly monitored quality requirements.

Extremely high-impact resistant and tough. The high-strength plastic processed for our holding systems must provide proof of its quality under continuous endurance tests.

## Extreme



New! If you wish, we will laser your name, the logo of your enterprise, or any motive of your choice on your Mobeli Grab handle. At short notice and quick, because at Roth's in the Black Forest we are manufacturing on the most modern machines and with highly-qualified technical personnel. Don't hesitate to contact us.

## With your own name



Do you have a specific or unusual task that apparently cannot be solved with the standard possibilities of the Mobeli system? Please contact ROTH GmbH directly under [info@mobeli.de](mailto:info@mobeli.de). We will try to find a suitable building block combination for your specific order. On the right you can see a safety device to prevent falling.

## Special orders





# Staying mobile.

Mobeli grab handles. Always a well-rounded solution.

The fixed-length grab handles differ from the telescopic grab handles only by a grab bar with four predetermined fixed lengths.

Therefore you should pay attention at the time of purchase that the length of the grab handle is compatible with the tile grid of the location where it will be attached.

## Fixed-length grab handles



Always fitting. The four telescopic grab handles of the Mobeli system are very versatile. The telescopic grab handle can be extended for 125 mm and thus adjusted to the most diverse tile grids of at least 140x140 mm - vertically, horizontally, or diagonally.

## Telescopic grab handles



You are looking for an angularly adjustable handrail with a large radius of action? Voilà. The Mobeli handrail combines all the advantages of a horizontal holding grab bar to pull yourself up, with the advantages of a vertical grab bar, e.g., as a support for holding on while entering and leaving the shower.

## Handrail



The range of application of all mobile telescopic grips can be substantially extended if the universal, diagonal, or angle joint adapters are inserted between suction head and grab bar. In this way, different angles are attainable for a maximum of flexibility when positioning.

## Adapters

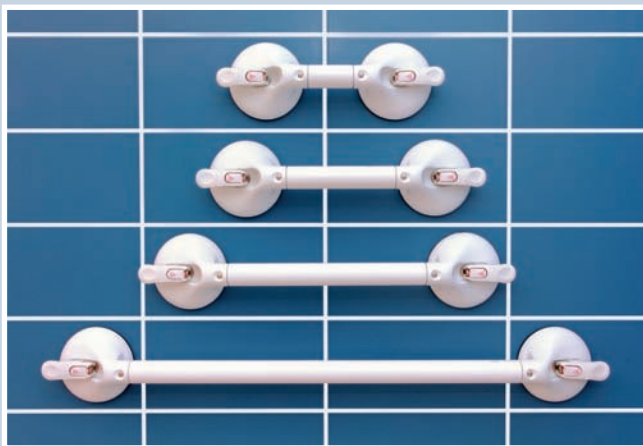




The mobile fixed-length Mobeli grab handles with grab bar lengths of 350 and 650 mm, are optimized for positioning on tiles with a tile grid of 150 x 150 mm. The grips can easily be attached horizontally as well as vertically. A tile grid of 200 x 200 mm is ideal for all fixed-length grab handles, including the grip with the grab bar length of 210 mm.

Alternatively, you may decide to use the extremely versatile telescopic Mobeli grab handle. Thus you are far less dependent on the particular dimensions of a tile grid - which is particularly desirable when travelling.

In case of a tile grid, which is too small or a surface that is not pore-tight, please continue reading on page 27. There you will find information on our self-adhesive stainless steel tile pads.



The choice is yours. You can select among four grab handles with fixed grab bar lengths of 110 mm, 210 mm, 350 mm, and 650 mm. The grab bars are compatible, so you can start with a short grab handle and additionally reorder a longer one if the need arises. Simply insert the grab bar, and your "new" grab handle is finished.

## Fixed-length grab handles

**Staying mobile.**  
Mobile grab handles - overcoming limits.



Mobeli telescopic grab handles offer you the widest possible choice for positioning. Whether to promote independence, for domestic or ambulatory care – the quick and easy attachment of the Mobeli grab handles has satisfactorily proven itself many thousand times.

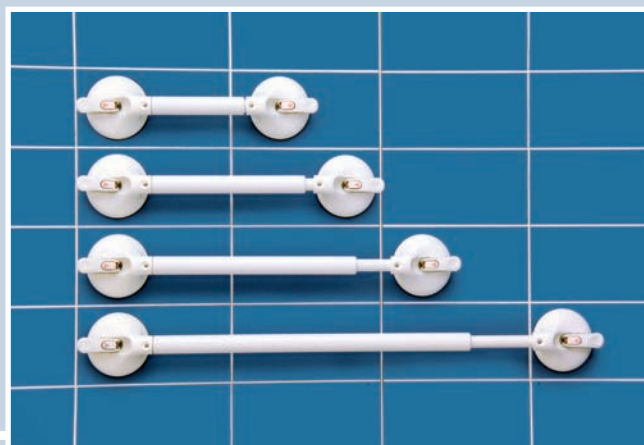


The telescopic grab bar enables horizontal, vertical, and diagonal positioning on every tile grid of at least 140 x 140 mm. Worth mentioning: Tile bordering dimensions can be easily bridged with the telescopic grab handle.

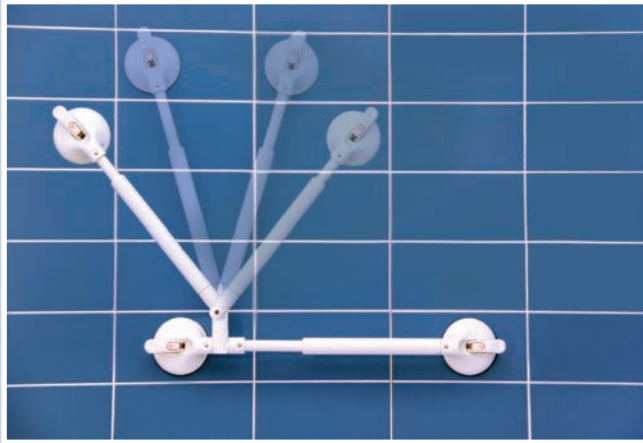


The telescopic grab handles are available in four different lengths and can be attached on all plane and pore-tight tiles with a tile grid of at least 140 x 140 mm. The grips are particularly well-suited for travelling; with only a few moves they can be disassembled and stowed away in your luggage without taking up much space. Disassembled, the smallest telescopic grab handle even disappears in a jacket pocket.

## Telescopic grab handles



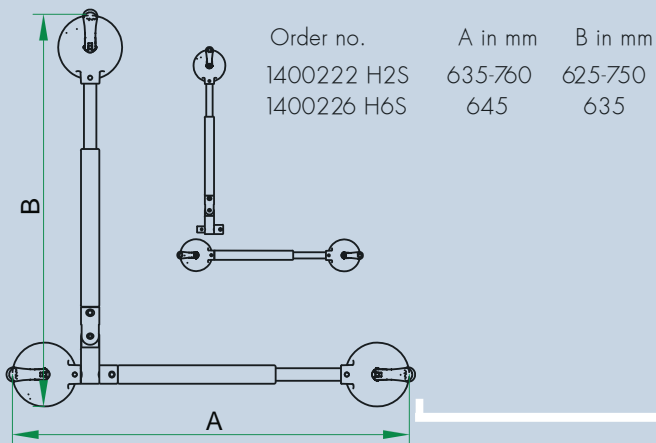
<b>MOBELI®</b>	Grip length A (mm)	Grip length B (mm)	Nominal load	Order no.
One-hand grip	110	330	80 kg	14002 20 S
Dual grip	210	430	75 kg	14002 25 S
Dual grip	350	570	70 kg	14002 26 S
Dual grip	650	870	70 kg	14002 27 S
Dual grip telescope	220-345	440-565	65 kg	14002 21 S
Dual grip telescope	340-465	560-685	65 kg	14002 22 S
Dual grip telescope	440-565	660-785	65 kg	14002 23 S
Dual grip telescope	665-790	885-1010	60 kg	14002 24 S



The handrail with angle adjustment offers optimal assistance for barrier-free bathing. Thanks to the unique horizontal-vertical combination, the mobile handrail is helpful in many everyday life situations, be it in the bathtub for getting up or as holding aid in the shower. The large radius of action and its versatility are the particular strengths of our mobile handrail.

According to the requirements of barrier-free accessibility DIN 18040 shower facilities are to be equipped with a horizontal grab handle at a height of 85 cm as well as with a vertical grab handle. Our handrail with angle adjustment fulfills all the requirements in just one solution.

The handrail with angle adjustment is composed of standard parts of the Mobeli system. The versatile building block principle makes it possible to select and combine different grab bar lengths. In only a few seconds the handrail can be converted into a grab handle for travelling - simply detach the vertical adapter, that's all.



## Handrail



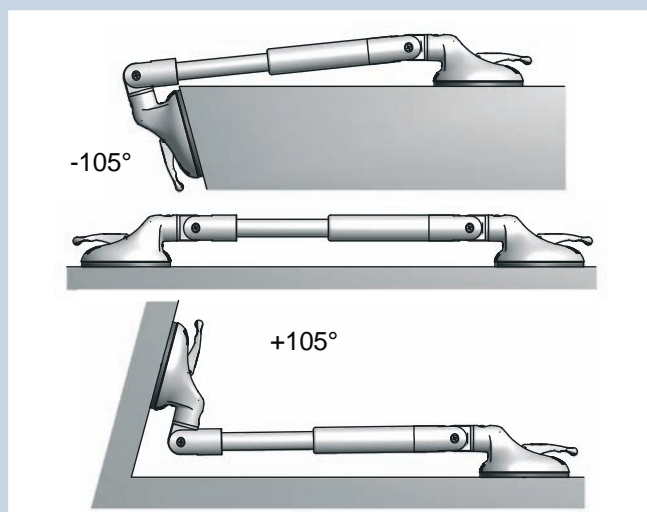
The cardan joint adapter made of aluminium offers great versatility thanks to its 3-axis joint which allows nearly any arbitrary position of the grab handle to be realized. Thus the mobile grab handle can be attached even more flexibly wherever you wish, e.g., diagonally or tilted, for example in the bathtub, or fastened across a corner as in a shower cubicle.

## Cardan joint adapter

# Increased mobility.

Mobile grab handles - when travelling and at home.

The angle joint adapters made of high-strength plastic can be simply clipped onto the telescopic grab handle. The Mobeli high-speed locking device ensures safe engaging of the individual components. The adapters increase the attachment radius of a telescopic grab handle to a total swivel angle of 210°. The grip can be fastened across a corner, over head and overstretched at an angle of 105°.



When the grab handle is used across a corner, as e.g., in the shower, entry is considerably facilitated. With longer telescopic grab handles and angle joint adapters, even arms up to the armpits can be hung over the telescopic grab bar.



The total length of the grab handle is extended by the angle joint adapter set by 170 mm.

Angle joint or cardan joint adapter? With the cardan joint adapter the Mobeli grab handle becomes extremely versatile in its mounting options. The angle joint adapter enables the grab handle to be fastened across a corner or in the bathtub. The more favourable price and a carrying power that is not reduced by the adapter are its major advantages.



## Angle joint adapters



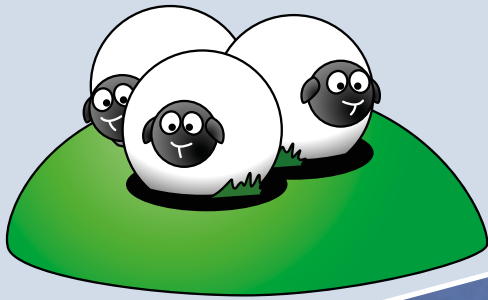
<b>MOBELI®</b>	Grip length mm	Nominal load	Order no.
Handrail with angle adjustment (350)		70 kg	1400226 H6S
Handrail with angle adjustment (340-465)		65 kg	1400222 H2S



<b>MOBELI®</b>	Nominal load	Order no.
Cardan joint adapter set*	50 kg	14005 55
Angle joint adapter set*	depending on grab length	14005 58

\* Please note that the cardan joint adapters and angle joint adapters are compatible only with Mobeli telescopic grab handles.

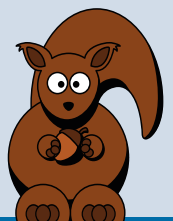
The merrily squeaking Daisy is the ideal assistant e.g. on the therapy table of a wheelchair. It stimulates the joy of movement. The Vario version of Daisy can be fixed in the desired position by the Mobili latching system: horizontally, vertically, and inclined 45° to the left or right. The possibility of variable adjustment allows the grip inclination to be fine-tuned for an optimal grip position which is particularly helpful for an eased hand position, e.g. very important for spasticities or contractures.



Our Mobeli KIDS grab handles are available in two different lengths. Their grip diameter of 26 mm has been particularly designed for small hands. Not without my Mobeli. The mobile grab handles are ideal for travelling or on vacation – quickly disassembled, stowed away without taking up much space, and quickly reattached wherever they are needed.



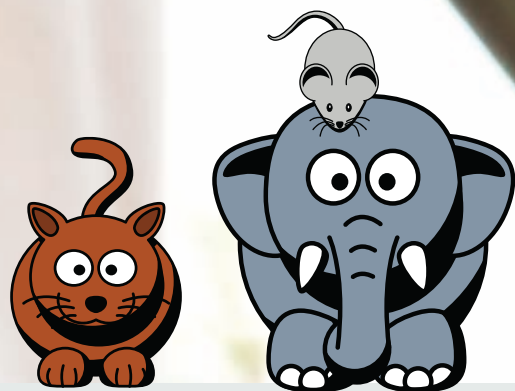
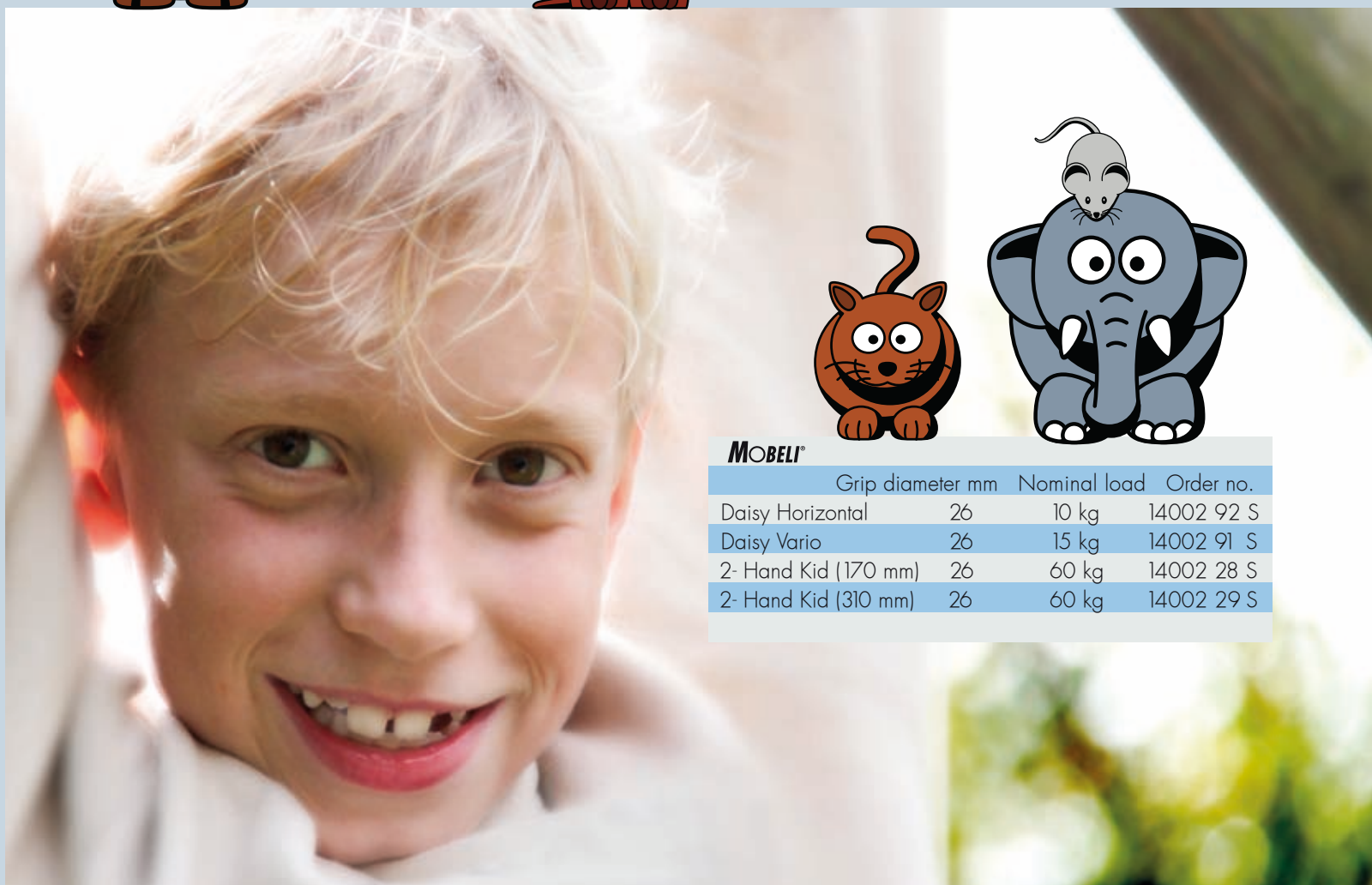
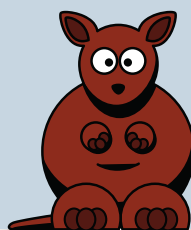
The Daisy Horizontal has been conceived to stabilize the hand or to hold on for small children. The yellow duck makes children curious and stimulates them to seize it and to squeeze it. Thus our little treasures can playfully and quite incidentally train their fine-motor skills.



# MOBELI® KIDS




In the development of the MOBELI system, ROTH GmbH has also thought of the "LITTLE ONES". Particularly during their growth phase the Mobeli system can provide good services because the attachment of the grab handles grows in a flexible way with the needs of the growing-ups. In the Mobeli KIDS version the grab handles have a diameter of only 26 mm instead of the usual standard diameter of 35 mm. Pure bathing fun. The bath tub shortener presented on page 32–33 can literally prevent "getting lost under water" while wildly splashing about in the bath tub.



MOBELI®			
	Grip diameter mm	Nominal load	Order no.
Daisy Horizontal	26	10 kg	14002 92 S
Daisy Vario	26	15 kg	14002 91 S
2- Hand Kid (170 mm)	26	60 kg	14002 28 S
2- Hand Kid (310 mm)	26	60 kg	14002 29 S



# QuattroPlus

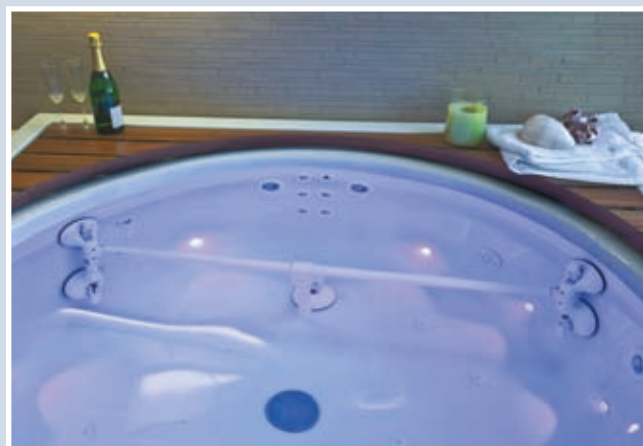
Mobile grab handles - the high-load variant.

High carrying load variant: The mobile vacuum grab handle QuattroPlus can be fastened at the wall and across a corner; it serves as horizontal training grab bar and as relocating assistance. The QuattroPlus has been patented in Europe and in the U.S. and can be used also by heavier persons because of its high load carrying capability.

## QuattroPlus



With us at Mobeli you can still find them: Experts who after consultation with our technical development department will develop a solution for your very special requirements and who will usually also be able to offer it to you in a short time. Usually our QuattroPlus will be at the heart of a custom design, but there is a multiplicity of combination possibilities with almost all components from the Mobeli system.

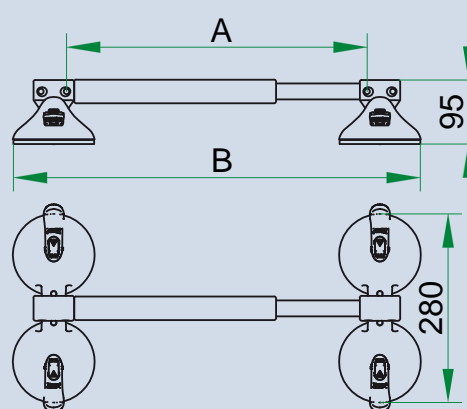


A name with substance: The Mobeli system. The high degree of compatibility of the individual grab handle components and the ingeniously simple quick-locking system provide for the possibility to construct whole grab handle railings. We will be pleased to inform you about suitable grab handle combinations for continuous grab handle railings and on the points you should pay particular attention to.



For example you may be looking for the correct Mobeli component system combination for a grab handle railing, e.g. assembled from TÜV-SÜD certified telescopic grab bars with lengths up to 1300 mm and with a nominal carrying load of 70 kg. With us you have come to the right place with your request.

## Mobeli building block system





The QuattroPlus as a training grab bar. On account of the integrated cardan joint it is possible to fasten the QuattroPlus even at the door frame of a room. A precondition is a pore-tight and plane surface for attachment, e.g., a metal frame. You only have wooden doors? Please continue reading on page 27: there you will find self-adhesive stainless steel pads.

The QuattroPlus grab handle 1400244S is designed for door frame internal dimensions from 790 to 910 mm. By using the diagonal joint adapter these dimensions are extended by 170 mm.

As a standard, the integrated cardan joint makes it possible to attach the QuattroPlus grab handle across a corner. If the grip is attached across a corner in the shower, you can pull yourself safely into the shower when entering and hold on to it while taking your shower.



The cardan joints integrated as a standard in QuattroPlus make the QuattroPlus very versatile. The nominal carrying load up to 125 kg is thereby not impaired.

## Integrated cardan joint

# QuattroPlus

Mobile grab handles - ingeniously simple and safe.



If the mounting surface is flat, pore-tight, and firm, then the combination of diagonal joint adapter and integrated cardan joint makes nearly any arbitrary attachment possible. In order to withstand the enormous carrying loads that can operate on the grip, the developers at Mobeli have selected a special material combination: aluminium and plastic - durable and versatile.



The diagonal joint adapters specifically developed for the QuattroPlus make it possible to use the QuattroPlus in every direction and up to a nominal carrying load of 80 kg. You can find an explanation of the term 'nominal carrying load' on page 29.

By using the diagonal joint adapter set, the total length of the grab handle is extended by 170 mm.



Thanks to the diagonal joint adapter and its integrated cardan joint, the QuattroPlus can also be mounted diagonally over the bathtub; that's very helpful for getting in and out.



## Diagonal joint adapter

MOBELI®	Grip length A* (mm)	Total length B* (mm)	Nomonal load	Order no.
QuattroPlus	200-325	360-485	125 kg	14002 41 S
QuattroPlus	320-445	480-625	125 kg	14002 42 S
QuattroPlus	420-545	580-705	110 kg	14002 43 S
QuattroPlus	645-770	805-930	110 kg	14002 44 S
Diagonal joint adapter set for QuattroPower			80 kg	14005 57

\* See the dimensions of A and B in the sketch on page 15



# QuattroPower Support

Power-System - reliable and versatile.

# QuattroPower Support

Quick and firm hold without drilling. Just position the QuattroPower supporting system, press down the vacuum tilting lever – ready. You now have a reliable aid for getting up on all plane and pore-tight surfaces.



The supporting system (QP) QuattroPower Support with its four suction pads distributes the leverage forces acting on the wall. Advantage: It can even be attached on tiled cavity walls (e.g. sandwich plaster board planking), thus eliminating the need for expensive rebuilding to reinforce the walls so that screw-on grab handles might be attached. The QuattroPower Support supporting systems have a nominal carrying load of up to 80 kg.

Very popular near a wall is the combination of a QuattroPower supporting grip with a classical Mobeli grab handle (fixed length or telescopic).



You have a round or mosaic tiled bath tub? Versatile and adaptable, the Mobeli system can offer a solution even in these cases. The QuattroPower supporting grip, mounted upward at the rear tile wall, provides you with safe entry and exit.





The toilet tissue holder for two rolls of toilet paper can be simply and quickly attached to the QuattroPower.

This handy accessory can also be clipped onto nearly all other mobile grab handles of the Mobeli system.

## QuattroPower Support



Depending upon requirements and room conditions, this supporting system can be attached e.g., on both sides of the WC upward and/or downward. An attachment upward offers additional possibilities for support or pulling up. Our QP supporting systems offer a multitude of attachment variants and permit use with partly completely new tasks as, e.g., in physiotherapy.

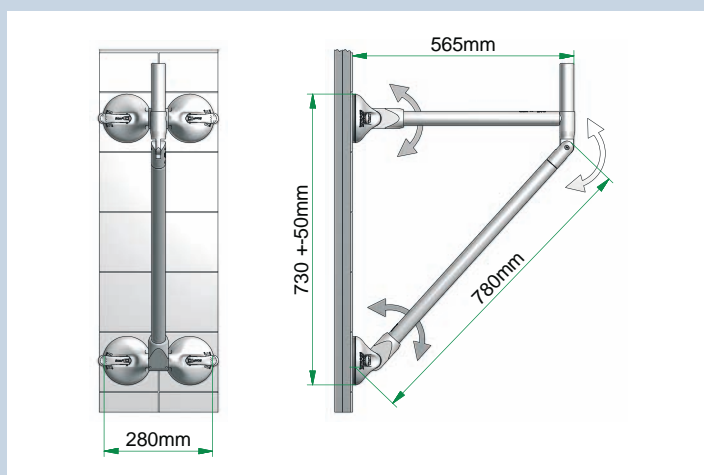
An additional grasp horn for the QP Support facilitates getting up and besides can also be used as a toilet tissue holder.



All grips of the QuattroPower supporting system are equipped with swivelling double joints and built-in safety brakes that prevent an inadvertent lifting up and at the same time enable folding up to the wall.

Well-suited for travelling. You can quickly and simply disassemble the QP. It takes up little space in your luggage and is quickly operational again if needed.

Space-saving minimal solution: You can rebuild the QP to a simple grab handle with four suction pads and attach it directly at the wall or across a corner (see also pages 14 and 15 under QuattroPlus).



<b>MOBELI®</b>	Grip length mm	Nominal load	Order no.	HMV no.
QuattroPower Support	565	80 kg	14002 65 S	04.40.05.1209
QuattroPower Support with grip horn	565	80 kg	14002 66 S	04.40.05.1208
Dual toilet paper holder				1400 650



The Mobeli supporting system QuattroPower Tub can be attached inside and outside of the bathtub. It is able to endure high pull and vertical loads and even lateral loads of up to 50 kg of nominal carrying load.  
Good to know: The suction pads hold even under water.

If you do not need the supporting system any longer you can fold it up. A joint stopper holds the lifted QuattroPower Tub in the vertical position.



# QuattroPower Tub

Power system - reliable and versatile.

Optimized for the bathtub: The Mobeli supporting system QuattroPower Tub is excellently suited for getting into and out of the bathtub. With this patented supporting system you do not only get safely into the bathtub but also safely out of it again.

You can purchase the QP Tub either with or without grip extension. The extension enables broader and thus safer seizing; it utilizes very efficiently your energy expenditure and prevents rotating of the body when stepping out.



With the QP Tub you have at your disposition a reliable aid for getting up on all plane and pore-tight surfaces.

Seize the grab bar with both hands before entering or exiting the bathtub and release it only when you sit safely or stand firmly.

Very variable: The QuattroPower Tub can be attached on the outside or on the inside of your bathtub.

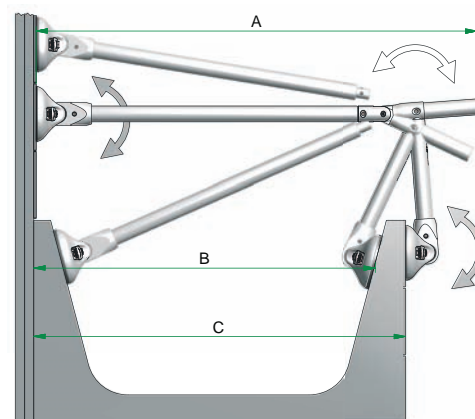
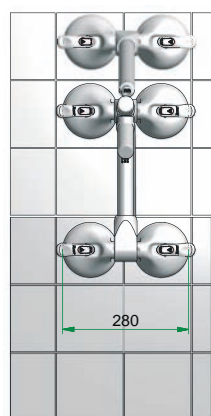


## QuattroPower Tub

Optimal. The QuattroPower bathtub systems can be swivelled at three points and thus perfectly adapted to the shape of your bathtub or your bathroom facilities.

Note: The grips are available in two different lengths. When ordering, please take into consideration the dimensions **B** and **C** of your bathtub.

If you have any questions concerning dimensions or possible fields of application of our supporting systems, please ask our team of experts or a competent specialized shop.



MOBELI®	Dimension A mm	Dim. B mm	Dim. C mm	Order no.	HMV no.
QuattroPower Tub (short)	740	630-850	600-720	14002 63 S	
QuattroPower Tub (short) with grip extension	850	630-850	600-720	14002 64 S	
QuattroPower Tub (long)	860	740-980	700-860	14002 61 S	04.50.05.0006
QuattroPower Tub (long) with grip extension	980	740-980	700-860	14002 62 S	04.50.05.0007



# Mobile assistants

Mobeli - small aids, large effect.





Versatile and adaptable. For example, with the two mobile modules you can keep a hairdryer firmly in place. The two-finger holder serves as a third hand. Thus it becomes possible to independently take care of yourself also with reduced arm activity.

The two-finger holder is also available with swivel arm adapter (swivelling 360°); thus the radius of action can be substantially increased.



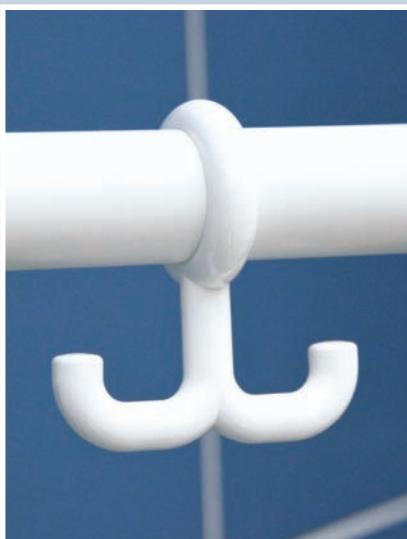
## Two-finger holder



The Mobeli mobile clamping aid assists you in many situations of daily life. It is for example suitable for holding a razor, electrical toothbrush, hairdryer, telephone receiver, and much more. With the assistance of the additionally attachable swivel arm the wall distance of our clamping aid can be comfortably adjusted or simply swivelled away to a side if you desire.



## Clamping aid



The dual hook is small but comes in very handy. Wherever you feel more comfortable with a Mobeli grab handle or simply want to hang up something, this useful aid can hold something ready for you: towel, face-cloth, toilet bag, bathrobe, etc. You only slip the dual hook over the grab bar - ready.



## Dual hook



The helpful shower head positioner is alternatively available with or without flexible swivel arm. With swivel arm you have the shower head positioner always within your reach, even while sitting.



## Shower head positioner

---

The mobile telescopic mirror - with or without LED light - is quickly and conveniently positioned. It makes it possible for you to look into the mirror even while sitting, or proves itself very helpful with catheterization. The attachable LED light clearly illuminates the mirror image. Ideal for stoma care.



A mirror (160 mm diameter, back side with 5-fold enlargement) that comes to me if I cannot get to the mirror.

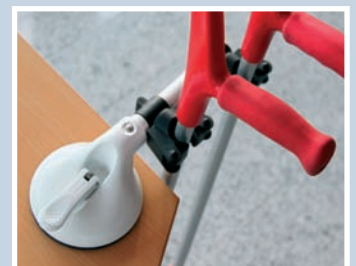
## Telescopic mirror

---

If your walking sticks lie far too often on the floor, then the mobile dual walking stick holder can facilitate your life a lot. It can quickly be suction-attached at the wall or on or under the desk top. Always quickly and safely, always without any tools. The receptacle of the dual walking stick holder is suitable for all usual walking stick diameters.

## Walking stick holder

---





Did you already know that Mobeli can also help you when your tiles are smaller than 14 cm or if they do not have a pore-tight surface?

Two self-adhesive Mobeli stainless steel pads are simply glued on where you would like to attach the Mobeli grab handle - the only precondition is that the surface is firm enough. Without drilling - without bolting.



## Stainless steel pads



In order to maintain the high retaining strength of the Mobeli grab handles the control lever must be pressed with some force toward the wall and pushed down. But this can also be done quite easily because with the new Mobeli vacuum tilting lever extension the energy expenditure for pushing down is reduced to less than half. All you have to do is to slide the extension laterally onto the lever, press the grab handle onto the respective surface, and fold down the vacuum tilting lever - finished.

## Vacuum tilting lever extension

<b>MOBELI®</b>	Order no.
Two-finger holder	14002 03 S
Two-finger holder with swivel arm (300 mm / 360° swiveling)	14992 03 S
Clamping aid with swivel arm (300 mm / 360° swiveling)	14992 04 S
Clamping aid	14002 04 S
Dual hook, white	1400 581
Shower head positioner with swivel arm (300 mm / 360° swiveling)	14992 02 S
Shower head positioner	14002 02 S
Mobile telescopic mirror (800 mm extendable, back side with 5-fold enlargement)	14002 09 S
Mobile telescopic mirror with LED micro lamp (including 50 h battery)	14992 09 S
Dual walking stick holder	14002 06 S
Stainless steel pads / pair (145 x 145 mm) e.g. for grab handles	1461 414
Stainless steel pads / pair (145 x 295 mm) e.g. for QuattroPlus grips	1461 418
Vacuum tilting lever extension (diameter 35 x 120 mm)	1400 572



## Therapy aids

Stabilisation grips. You are looking for assistance to stabilize and guide your arm: Mobeli Stabi – in two variants. It can be quickly and conveniently attached on all pore-tight surfaces like painted wood, plastic, or metal.

The Stabi Horizontal stabilizes in the horizontal direction; Stabi Vario can alternatively be swivelled vertically, horizontally, or at an angle of 45° to the left or right.



<b>MOBELI®</b>	Grip diameter mm	Nominal load	Order no.
Stabi Horizontal	31	15 kg	14002 95 S
Stabi Vario	31	15 kg	14002 96 S
Handi (cf. picture above)	31		

**Specific assistance**  
Mobile grab handles - ingeniously simple.

# Nominal load

---

A grab handle that as a medical product has a maximum permissible carrying load of 75 kg as determined by the manufacturer may only be distinguished with the TÜV-SÜD seal if it has passed the overload test with the 1.5-fold nominal carrying load (112.5 kg = 150 %) during a predetermined holding period. In addition, a series of continuous tests is performed such as, e.g., 15,000 times a simulated grip load in order to prove that the reliability of the grip is ensured permanently and without damages. Therefore all mobile Mobeli grab handles bear the CE Logo and the nominal carrying load during use is lasered readably into the grip. They are certified as technical aids by TÜV-SÜD, since 2002. Please note, that from February 2012, grab handles without a vacuum safety indicator are no longer certified by TÜV-SÜD.

According to the Medical Devices Act, medical devices must follow the principles of integrated safety and meet the requirements of state of the art developments. For this reason, we only fabricate grab handles, that are equipped with the MOBELL vacuum safety indicator. Worldwide it is the exceptional solution for monitoring the vacuum of the grab handle.

# Technical aids

---

Products that are certified by TÜV-SÜD as technical aids must fulfill a number of criteria; thus e.g. extensive risk analyses have to be performed, bio compatibility must be proven, and clinical tests carried out. By definition (EN 12182:1999) they are equipment (for handicapped persons) or technical systems that are intended for prevention (falling prophylaxis), treatment, or healing of injuries, damages, capability restrictions, or other impairments.

# Multi-generations bath

---

The new barrier-free DIN 18040 - 2010-10 postulates (in place of DIN 18024/18025 with dimensional definitions) protection goals for the needs of persons:

- ° with visual impairments (tactile/visual/acoustic)
- ° with motor deficiencies
- ° who use mobility aids and wheel chairs
- ° who are of tall or of small stature
- ° with cognitive impairments
- ° who are already older or children

According to the German Behindertengleichstellungsgesetz (handicapped persons equal opportunities law) § 4, areas are barrier-free if they are accessible and usable for handicapped persons without special complication and without outside assistance. With the universal mobile Mobeli system aids complying with the protection goals can immediately and without change be attached, if necessary. Mobeli grab handle systems enable modern "design for all" where one can live in one's accustomed environment and assemble required aids within seconds and just as quickly disassemble them when they are not needed any longer.

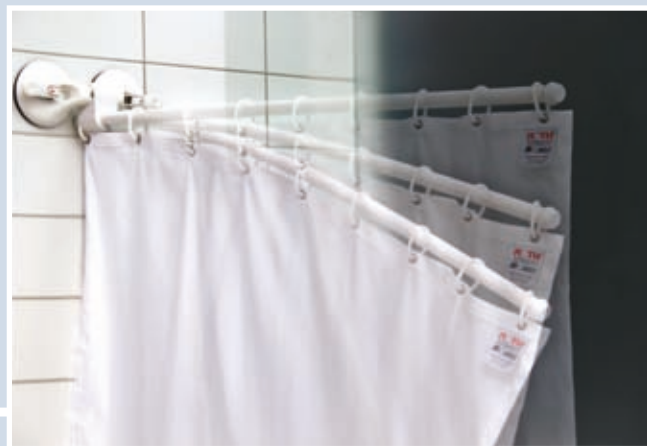


## Visual screen and splash guard

Caring friends - helping made easy.

The long three-part elastic arm has been conceived in such a way that no strong leverage forces are exerted onto the glass, shower, or dividing walls – even when leaning on it. This can be a crucial advantage in particular with plaster board walls.

## Elastic & handy



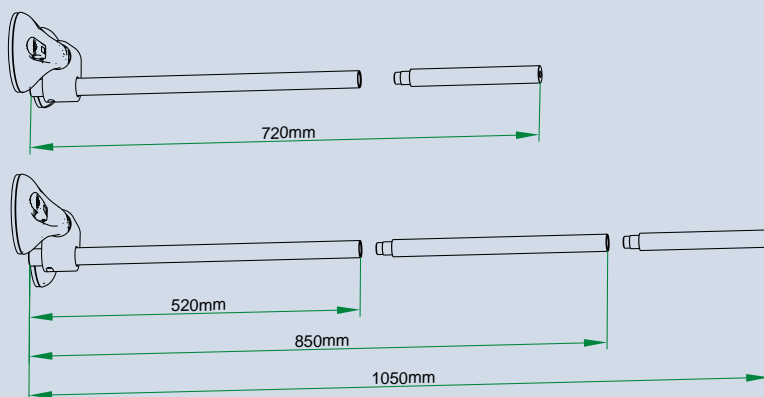
The name is program: view screen and splash guard; very popular and ideal for patient care. The jointed arm can be tilted upward or swivelled to the side if mounted vertically. The integrated brake holds the Mobeli arm automatically in the desired position.

## Visual screen



Thanks to its three-part design, the receiving arm for the curtain can be changed to different lengths. The individual sections can be freely combined.

Depending on the suction position, the jointed arm can be tilted upward or swivelled to the side.



## Mobile & versatile

**MOBELI®**

Order no.

Visual screen and splash guard jointed arm

14002 05 S

Curtain (width/length): 1,200 x 800 mm / plain white, washable 30 °C (with white curtain eyes)

140612 08

Visual screen and splash guard with 3-part jointed arm and Curtain (1,200 x 800 mm / plain white)

14992 05 S



# My bath tub

Bath tub shortener and tub tray. Both.





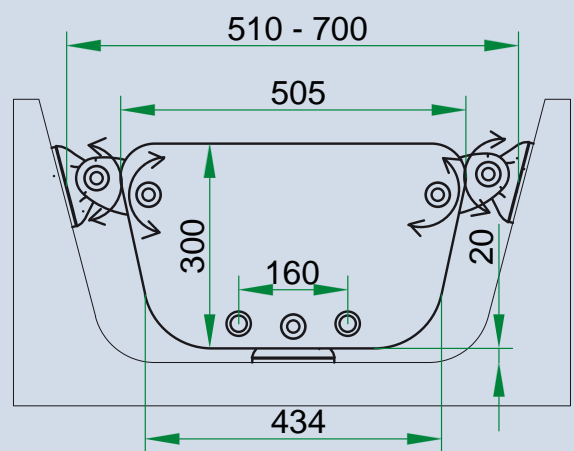
Our bath tub shortener with three movable suction pads is suitable for substantially higher carrying loads. It can simply and without any tools be converted into the variant with two suction pads as well as into a bath tub tray.



Bath tub shortener with two suction pads. The position of the bath tub shortener is continuously adjustable, and it prevents getting submerged in the bath tub. This bath tub shortener can be placed at almost any location in the bat tub without any tools.

In strongly rounded bath tubs this bath tub shortener can only be positioned under certain conditions.

## Bath tub shortener



Handy and comfortable. Both bath tub shorteners are suitable for use as a tray – directly on the bath tub.

Note: The bath tub shortener with three movable suction pads can be quickly converted into a bath tub tray.

## Bath tub tray



<b>MOBELI®</b>	Bath tub interior width mm	Order no.
Bath tub shortener (2 suction pads)	starting at 510	14002 81 S
Bath tub shortener (3 suction pads)	510-700	14002 82 S



# Stylish and helpful

Mobeli - the apparently firmly integrated armature.

# CHROM LOOK Premium

Mobeli CHROM LOOK PREMIUM is the captivating stylish alternative to the classic white grab handle. Mobeli CHROM LOOK integrates the grab handle harmoniously into the overall appearance of a bathroom with chrome armatures - and thus it remains unrecognized as a grab handle. The stylish and particularly non-slip drop pearl structure of the grab bar represents a further plus for safety.

The CHROM LOOK suction heads can also be combined with other Mobeli products, e.g. mobile aids.

On request, we deliver any other of our Mobeli holding systems as a combination of white grab handles with suction pads in CHROM LOOK. Please note the additional price.



MOBELI®	Grip length in mm	Nominal load	Order no.
Dual grip CHROM LOOK Premium	350	70 kg	14002 26 SCL
Dual grip CHROM LOOK Premium	650	70 kg	14002 27 SCL
Surcharge CHROM LOOK 2 heads, e.g. for white telescopic grip			MP 14002 SCL2
Surcharge CHROM LOOK 1 head, e.g. for shower head positioner			MP 14002 SCL1



# Mobile at the hotel

At any time and in any room - barrier-free movement.



Today, already every third guest belongs to the generation 50+ – and in the future even every one out of two guests! With the Mobeli system you can offer your guests a wide range of safety components that can be attached as the need arises and individually adapted for each one of your guests. Versatile and at short notice, the Mobeli system can be used in almost any guest room, saves you larger restructuring work, and enables your guests nevertheless to enjoy barrier-free access to bath and WC.

## Every guest a king

From now on you can attach a supporting aid for each one of your guests individually and at the precise position required by the guest. Later after departure of the guest, just as you remove the bed-linen you can disassemble the mobile grab handle and convert what has just been a barrier-free room into a completely neutral guest room. The only precondition is a plane, firm, and pore-tight attachment surface.





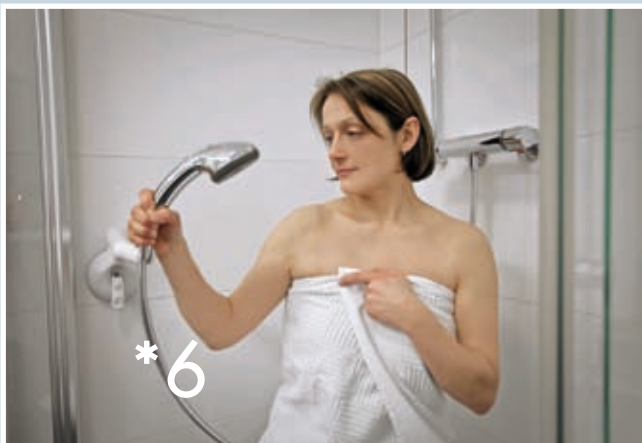
# Care professionals

Mobile aids for care - quick and simple.



- 1. Finger-back operated dispensers (page 41)
- 2. Your logo on the grab handle (page 5)
- 3. Telescopic mirror (page 26)
- 4. CHROM LOOK grab handle (page 35)

- 5. Splash guard and view screen (page 31)
- 6. Shower head positioner (page 26)
- 7. Walking stick holder (page 27)
- 8. QuattroPower Support (page 21)



# ROTH®

Already in 1955, the architect Willy Roth who was suffering from gout had submitted an application for a utility pattern for the first mirror cabinet with tilting mirror. His son Eckart Roth built on this success story. In the past decades he has introduced new and barrier-free usable mirror and mirror cabinet models with inclined front on the market.

## Tilting mirror



Using the effortlessly to handle operating arm the tilting mirror can be easily positioned between 0° – 30° and will stay by itself in that position.

The end stop is continuously adjustable and the operating arm can be installed on the left or on the right. The lateral fitting is made of stainless steel, of course.

You can find further information under [www.roth-sanitaerprogramme.de](http://www.roth-sanitaerprogramme.de) or at [info@roth-sanitaerprogramme.de](mailto:info@roth-sanitaerprogramme.de)

## Tap-tilt mirror



Slightly tapping against the lower mirror area causes this fitting to tilt forward with a tilting angle of max. 20°. Applying slight pressure to the upper mirror area is sufficient to realign the mirror perpendicularly. The fitting is implemented with a self-adhesive mirror base board on which you can mount any desired mirror format up to 1,000 x 1,000 mm with a minimum size of 450 x 500 mm. This means that you can also use your existing mirror again. Of course every mirror can be supplemented with the ROTH tilting mirror lamps.



- 1 Ceiling revision flaps up to F 90 + air tight
- 2 Revision systems for floors
- 3 Wall revision doors up to F 90 + smoke tight  
ZOOM for tiles / natural stone / plaster
- 4 Revision mirror and mirror doors
- 5 Built-in mirrors / recessed wall light fixtures
- 6 On-wall mirror systems + covered dispensers
- 7 Mirror lamps in tile grid lengths
- 8 Mirrors with safety steel armouring
- 9 Tilting and slanting mirrors with lamps
- 10 Slanting front and tilting mirror cabinets
- 11 Aluminium design shelves up to 6000 mm
- 12 Finger-back operated dispensers
- 13 Trash cans, floor-free
- 14 Mobeli – mobile grab handles and aids

The resourceful Swabian inventive genius and the experience gained in many large-scale projects make ROTH GmbH a competent partner. The 14 production groups illustrate our wide and nevertheless highly specialized product range.

## Mirrors with inclined front



Our mirror cabinet model with inclined front is ideally suited for EVERYONE – small or tall. It extends the usual mirror image downwards for sitting or small persons, or upwards for tall persons. Thanks to the inclined front the mirror cabinet has substantially larger stowage room depth in its upper region.

Several mirror cabinets with inclined front can also be installed next to each other. The cabinet body is made of high-quality aluminium. On request, the mirror can be delivered with a ROTH tilting mirror lamp.

## Finger-back operated dispensers



**72%**  
less germs

During hygienic hand disinfection with the ROTH finger-back operated dispenser, on average 72 % less germs\* have been detected at the operating lever of the dispenser. Hereby the hand of the user replaces the drip tray. Further advantages of this patented dispenser are the smaller wall load, the barrier-free operational height, and the keyless anti-theft device. Available as mobile solution with Mobeli suction head or as fixed installation.

Further information is available under:  
[www.fingerrueckenspender.de](http://www.fingerrueckenspender.de)

\* In accordance with a microbiological investigation by the SMP Tübingen on 13.03.2009

Shooting work for "Endurance test in the Mobeli lab"



Uwe keeps the overview.



Important on the set – the atmosphere is right.



SUPER – please do it again.



Gersom in action:  
Without safety net but therefore  
with safety indication.



Always with full commitment.

# Mobeli endurance test

Mobeli - what you always wanted to see.



Exhausted and happy  
– the DREAM TEAM.



In the endurance test: Mobeli grab handle.



Elke radiates and is always in a good mood.



Preparation for an upswing at QuattroPlus.



We wish to thank  
all participants for  
their "Endurance  
test commitment"  
in the Mobeli lab.

# MOBELI®

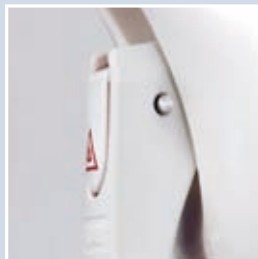
The innovative original.

The term Mobeli is derived from the English "MObility BEyond Limits" meaning mobility across all limitations. The creators of the name thus wished to define the task of the Mobeli system: grab handles and systems that assist people whose mobility is limited. The guiding motto of all product developments has always been simple handling, a high degree of flexibility, and safety in usage. Thus the Mobeli development team finally succeeded to present the first grab handle with safety indication that permanently monitors the vacuum state and thus its holding force. Joyful development, constantly examined quality, and a keen eye for the users of our products – this makes Mobeli what it is. The innovative original.

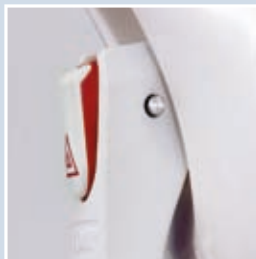


Safety in view.

Mode of operation of the Mobeli safety jack: The vacuum is permanently monitored.



Maximum safety.  
Indicated nominal load with 1.5 times safety allowance (thus, e.g., 70 kg nominal carrying load corresponds to 105 kg test load).



Approx. 100% load capacity.  
Nominal carrying load (e.g., 70 kg) without safety buffer.  
Attention:  
Attach again now!



Attention: RED Alert.  
The vacuum of the grab handle has been used up. The grip falls off. Must be immediately reattached!

Mobeli is world-wide the most adaptable mobile grab handle system. We wish our customers much joy with the use of our quality products.

**ROTH®**  
ROTH GmbH