



TR Swing

Reclining and Height Adjustable Bathtub

Hygiene Equipment
Designed for People

TR Swing - Reclining bath with side access

The Swing is a free standing, reclining bathtub designed for a satisfying and relaxed bathing experience. The TR Swing can be equipped with several Wellness options, such as LED lighting, Air Spa- and musicsystem. To make it easier for the care giver, the TR Swing can be equipped with Height adjustment, Autofill function and Cleaning system.

Simple installation of the TR Swing allows it to be positioned in almost any central bathing areas.

Controls have been designed with simplicity in mind and the smooth design makes it easy to clean and maintain.



Registered at Medical Products Agency, Sweden as a MD Class 1 product according to MDR 2017/745.

TR reserves the right to make design changes and/or improvements without notice.



Specifications

Length	2 040 mm
Width	800 mm
Max. patient weight	200 kg
Power Supply:	230 V / 50Hz, 10 A
Overall weight (empty):	140 kg
Max. hot water temperature	Preset at 43°



TR EQUIPMENT



TR Swing

Reclining and Height Adjustable Bathtub

Features

- Innovative and attractive design.
- High quality bathtub made by reinforced fiber glass.
- Easy to operate and learn.
- Easy access to the bathtub.
- Easy to clean and maintain.
- Ergonomic tub shape with sturdy stainless steel chassi.
- Detached, no wall or floor fixing.
- Anti scalding protection.

Standard Equipment

- Hand shower with long hose.
- Thermostatic mixer with scalding protection.
- Support handles.
- Overflow drainage.
- Drainage outlet diam.40 mm (incl. drainage hose)
- Braided Flexible hoses to water supply.

Wellness options

- LED Light system.
- Air Spa system with heater and 12 nozzles.
- Music system with 4 integrated speakers.

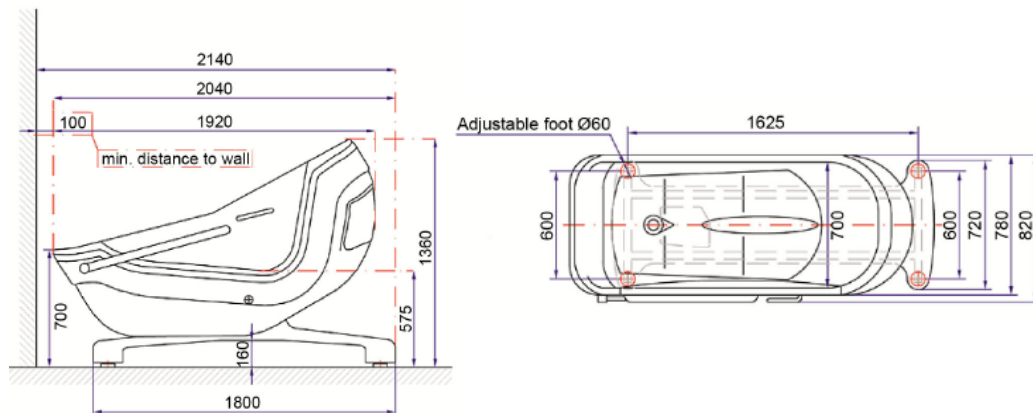
Art. no.	Model	
05100000	TR Swing	Reclining bath
05100002	TR Swing - HA	Reclining and height adjustable bath
05100010	Autofill	Option to above bath models
05100020	Air Spa System	Option to above bath models
05100030	Disinfection system	Option to above bath models
05100040	LED Light System	Option to above bath models
05100050	Music System	Option to above bath models

Options/Accessories

- Autofill system.
- Inbuilt cleaning system.
- Height adjustment (100 mm)
(1200-1300 mm, Lifting speed 10 mm/s)
- 110 V / 60Hz



Dimensions (mm)



Application Examples

The TR 9650 Mobile Chair Lift can be used to transfer the patient to the bathtub.



TR EQUIPMENT