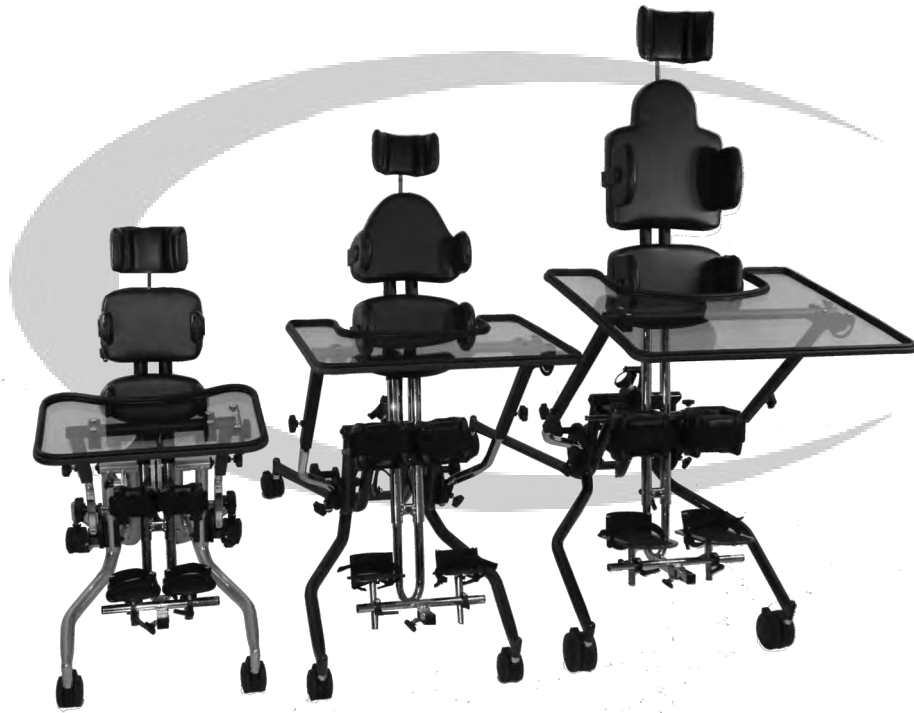


OWNER'S MANUAL

Superstand HLT

Standing System



*****Note*****

Read Owner's Manual before use.

Manufactured By
Prime Engineering
A Division of Axiom Industries, Inc.



TABLE OF CONTENTS

This owner's manual is organized into the following sections:

Description	Page No.
• Table of Contents	2
• Specifications, Packing List and Component Identification	3
• Intended Use and Information	4
• Safety Information	4
• Cleaning & Care Information	5
• Daily Product Inspection	5
• Assembly Information and Instructions	6-8
• Measurements & Initial Setup Information	9
• Adjustable Component Identification and Guide	10
• Adjustment and Use Instructions	11-17
• Annual Product Inspection	18
• Reissuing of <i>Superstand HLT</i>	18
• Product Servicing	18
• Product Warranty	19

If you have any questions or require further assistance, please contact your supplying dealer for assistance or contact us directly at Info@primeengineering.com

****Note:**

Carefully read all instructions and notes prior to assembly and use of the *Superstand HLT*.**

****Note:**

Superstand HLT should be used by direction of the clients physician and therapist.

****Note: Never leave the client unattended while in the stander.****

SPECIFICATIONS

Model	EI	Size 1	Size 2
Base Size	19" W x 28"L	21" W x 37 3/4"L	25" W x 45"L
Client Height Range	20"-40"	28"-48"	40"-60"
Platform Height	27"	28"	29"
Max Client Weight	65 lbs	125 lbs	150 lbs

PACKING LIST *Your Superstand HLT*

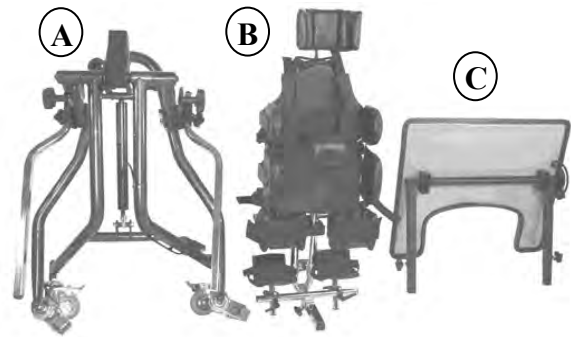
comes partially assembled in 1 or 2 carton(s) containing:

1 Base Assembly, (A) **

1 Mast Assembly, (B) **

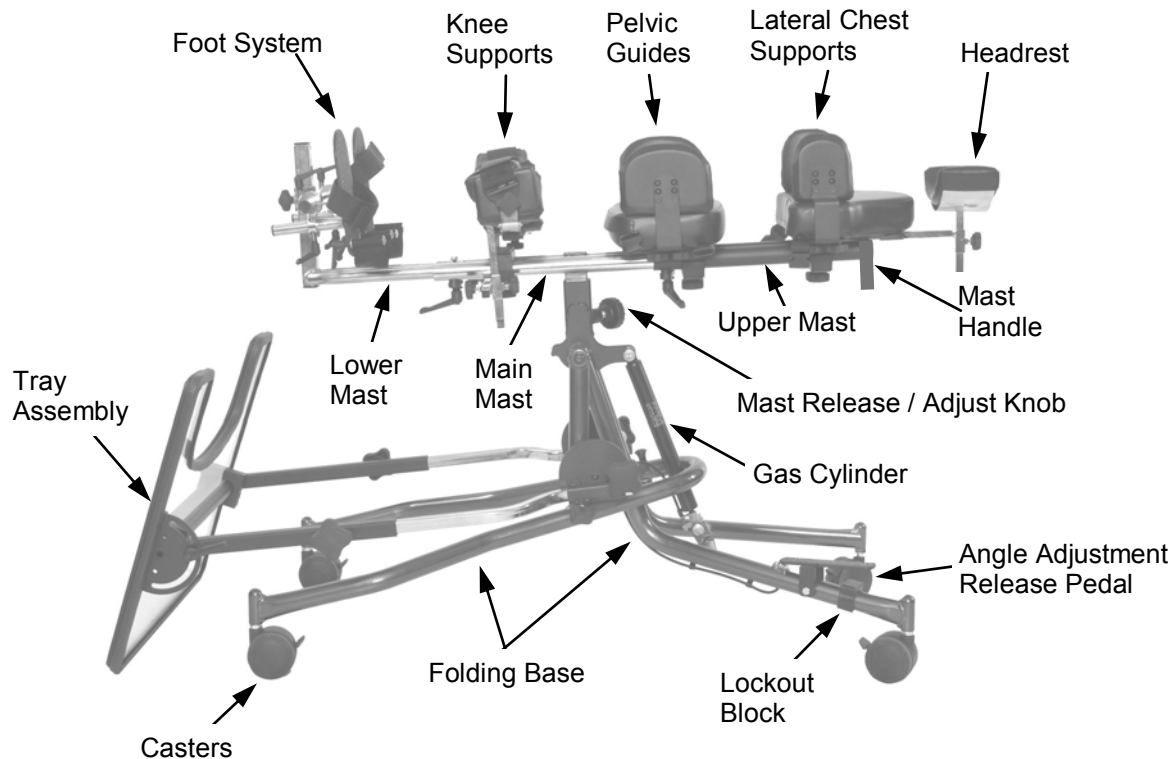
1 Tray Assembly (Optional Item) (C)**

** (This picture shows a general configuration of the mast with some optional supports and optional tray and how the items would be packed in the shipping carton. Your Superstand HLT may not match exactly due to individual configurations.)



**Optional items may be packed with your product that are not in this manual. Identify all optional components and any instructions that go with them.

Superstand HLT Component Identification



Unit shown with some optional components installed.

Intended Use and Information

1. Intended Use

Superstand HLT is a standing system that is intended to assist in achieving full weight bearing for your client. The *Superstand HLT* has models that will handle multiple heights of children while allowing for maximum growth.

Superstand HLT is appropriate for use with any client that fits within the size restrictions of the unit and has a need for a supportive device for standing and weight bearing. *Superstand HLT* is appropriate for client's learning to get up on their feet and for supplying growth guidance while in standing and weight bearing. Common diagnosis for use of *Superstand HLT* include but are not limited to, Cerebral Palsy, Muscular Dystrophy, Dyplasia, Spinal Muscle Atrophy, Down's Syndrome, Spina Bifida and many more.,

2. Restrictions

Superstand HLT should be used on flat, smooth, even surfaces only. Never leave the product unattended while in use. Make sure all supports are in place and secure before and during use.

3. Warranty

The warranty applies only when the product is used according to the specified conditions and for the intended purposes, following all manufacturers' recommendations and performing regular service and inspections.

4. Product History Record

Your *Superstand HLT* is a Medical device and as such should only be prescribed, set up issued or reissued for use by a technically competent person trained in the use of the *Superstand HLT*. The manufacturer recommends that a written record is maintained to provide details of all set ups, reissue, product inspections and scheduled or annual inspections of the *Superstand HLT*.

5. Product Training

(Parents, Teachers & Caregivers)

Your *Superstand HLT* product is a Medical Device and as such parents, teachers and caregivers using the equipment should be made aware of the following sections of this owner's manual by a technically competent person. It is also recommended that a written record is recorded below of all those who have been trained in the correct use of this product.

Person trained _____ Date _____

Trained by _____

Person trained _____ Date _____

Trained by _____

Person trained _____ Date _____

Trained by _____

Safety Information

- ❗ Read all of the instructions fully before use.
- ❗ Client's should not be left unattended at any time while using their *Superstand HLT*.
- ❗ Only use Prime Engineering manufactured or approved components and parts with your *Superstand HLT*.
- ❗ Never modify the product in any way.
- ❗ Failure to follow instructions may put the client or caregivers at risk and will void all warranties on the product.
- ❗ *Superstand HLT* is not intended to be used as any type of device other than a standing system.
- ❗ If in any doubt to the continued safe use of your *Superstand HLT* or any of its components, accessories or parts should fail, ***Immediately*** cease using the product and contact your supplying dealer or contact us directly as soon as possible.
- ❗ Perform all necessary adjustments before using the *Superstand HLT*.
- ❗ While the client is in the unit all supports and safety straps must be in place and fastened securely.
- ❗ Never leave the product on a sloping or uneven surface, *Superstand HLT* is meant to be used on flat even surfaces.
- ❗ *Superstand HLT* contains components which could present a choking hazard to small children. Always check that locking knobs and bolts within the child's reach are tightened and secure at all times.
- ❗ Clean the product regularly. Do not use abrasive cleaners.
- ❗ Perform maintenance checks on a regular basis to ensure your product is in good working condition and that all fasteners are properly tightened.
- ❗ *Superstand HLT* is designed for indoor use and when not in use should be stored in a dry place without temperature extremes.
- ❗ Never Transport a client in the *Superstand HLT*.

****Note: Never leave the client unattended while in the stander.****

Cleaning & Care Information

Cleaning your *Superstand HLT*

When cleaning the *Superstand HLT* we recommend that you use only warm water and a non-abrasive detergent or a neutral disinfectant. Never use organic solvents or dry cleaning fluids.

Upholstery and fabrics:

1. The upholstery and fabrics should be cleaned by hand. When cleaning we recommend that you use only warm water and a nonabrasive detergent.
2. Staining should be removed as quickly as possible with absorbent cloth, towels or a sponge. Routine soap and warm water sponging is effective for ordinary soiling and minor spills.
3. Antiseptic cleaning agents can be used on more stubborn stains. These may require a safe solvent such as Isopropyl Alcohol

4. Always ensure the product is dry before use.

Metal and plastic components

1. Soap and water or antibacterial spray can be used for daily cleaning.
2. For deep cleaning a low pressure steam cleaner can be used.
3. Do not use solvents to clean plastic or metal components.
4. **Make sure the product is dry before use.**

Re-Issue of Product

i *In many cases, this product may be used and then returned for use by another client. In that case the client must be evaluated for size, function and to make sure that all items are appropriately sized for the client by an experienced and trained technician. See page 18 for Re-Issue information.*

Daily Product Inspection

(Therapists, parents & caregivers)

We recommend that daily visual checks of the equipment are carried out by therapists, caregivers or parents to ensure the product is safe for use. The recommend daily checks are detailed below.

1. Make sure that all adjustments are secure and all knobs and screws are tight. Make sure all straps are securing the client securely and comfortably.
2. Make sure that all clamps are tightened to eliminate any wiggle in the mast assemblies and foot system. There are clamps on the upper mast and the lower inner mast for the foot system.
3. Make sure all adjustment hardware is tight.
4. Ensure all adjustment knobs and or bolts are in place and secure.
5. Check all upholstery for signs of wear and tear.
6. Check that the casters and caster locks are functioning correctly.
7. Check all Velcro strips and brush fluff to ensure straps secure firmly.
8. If in any doubt to the continued safe use of your *Superstand HLT* product or if you believe that any parts have failed or are missing, cease using the product immediately and contact your local dealer or our customer service department as soon as possible.

General Maintenance:

- Inspect all nuts and bolts weekly and verify that they are tight and secured properly.
- Keep all moving parts free of dirt and grime to allow for free movement.

****Note: Never leave the client unattended while in the stander.****

Superstand HLT

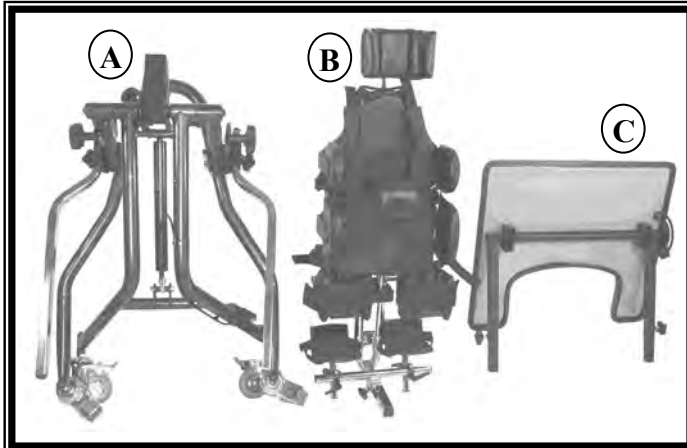
Standing Device

Assembly Information

Note**

Your *Superstand HLT* may be ordered to allow it to be configured for Prone, Supine or Upright/Vertical standing. Your Physician or Therapist will recommend the appropriate position for your individual needs. With our “no tools” approach you are able to set the unit into the necessary configuration(s) or quickly convert to a different configuration when the unit is ordered as a Multi-Position System.

ASSEMBLY INSTRUCTIONS



Assembly for your **Superstand HLT** is easy when you follow these directions.

Open the carton, remove and identify the following assemblies and components.

A Folding Base Frame

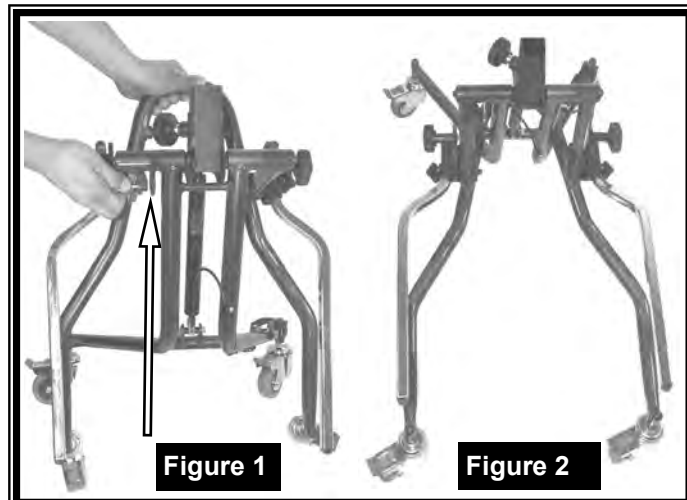
B Mast Assembly

C Tray (Optional Item)

****Any optional accessories.**

Note:

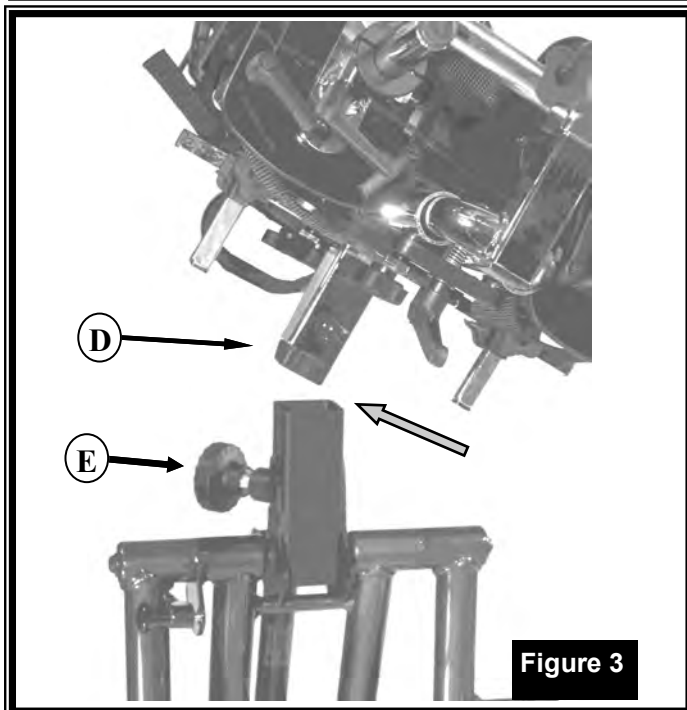
For **Superstand HLT Size 2** install the caster wheels to the base before proceeding, **the following step is only needed on the Superstand HLT Size 2.**



Remove all four casters from the package and open the base frame by pulling out the frame locking pin. Set the frame on a padded surface to protect the finish from scratches, thread the caster stems into the Base Frame and tighten the locknuts with a 3/4" open-end wrench.

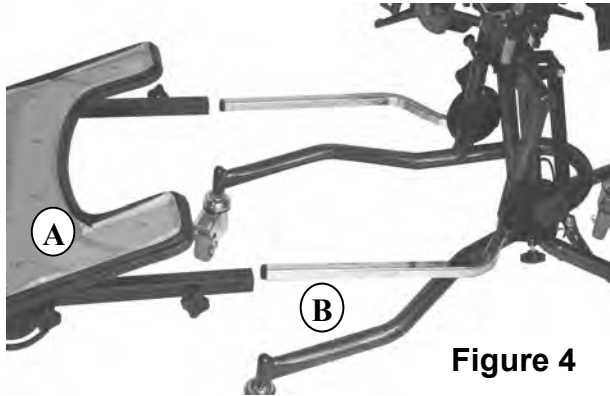
Assemble: Your Superstand HLT EI, Size 1 and the Size 2 after you have installed the casters as instructed.

1. Place base frame on a flat surface and unlock the caster wheels while holding onto the top of the frame as shown (Figure 1). Unlock the casters, pull out the frame latching knob (Figure 1) as shown and allow the frame to open into its open and locked position.
2. Make sure that the locking pin is in place and the frame is locked in its open position as shown in (Figure 2).
3. Install the mast on the base (Figure 3), by aligning the square mast tube with the black receptacle on the base. Make sure that the notch on the bottom of the mast tube (D) is in the same corner of the release knob/pin (E).
4. Lower the mast tube into the receptacle making sure that it drops fully into place and that the locking pin snaps into place.
5. Pull up on the mast assembly to confirm that the mast is locked into the base assembly. You can tighten the release knob (E) on the knob/pin assembly to remove any unwanted movement between the mast and base.



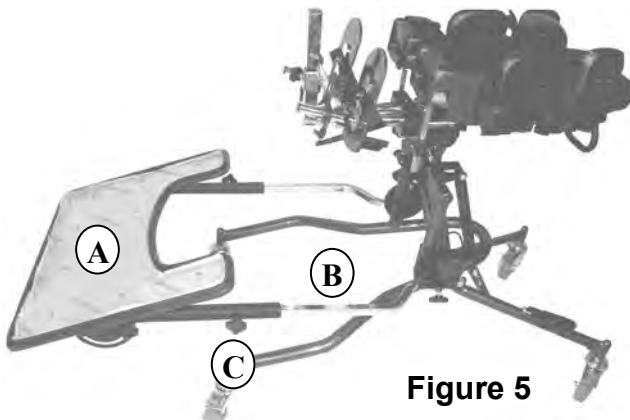
****Note: Never leave the client unattended while in the stander.****

ASSEMBLY INSTRUCTIONS

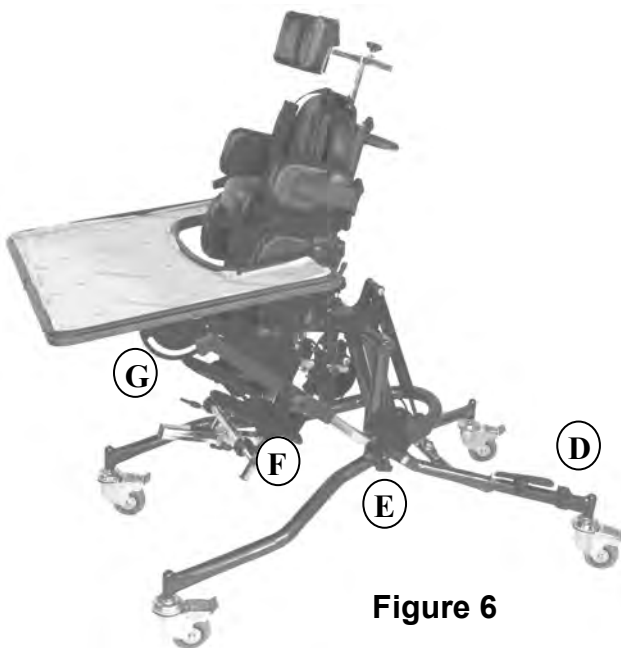


Tray Installation: (optional item)

6. Align the tray assembly with the black outer tray frame mounting tubes (A) with the silver inner mounting posts (B) on the base as shown (Figure 4).



7. Slide the Tray Frame and Tray (A) onto the lower adjustment arms (B) and tighten the height adjustment knobs (C). (Figure 5).



8. Bring the positioning system to the desired angle by stepping on pedal (D) and allowing unit to move up into the desired position. Move tray into the desired position by adjusting the lower radius plates (E), the tray angle adjustment knob (G) and the tray height adjustment knobs (F) (Figure 6).
9. Tray can be adjusted in height, depth and angle using adjustment knobs E, F and G (Figure 6).

****Note: Never leave the client unattended while in the stander.****

Measurements and initial setup information for

Superstand HLT

Standing System

Superstand HLT setup should be completed by a technically and clinically competent person who has been trained in the use and setup of the *Superstand HLT*.

A written record is recommended to be maintained of all persons performing clinical set ups, recommended setups or suggestions for changes to this product. (See Page 4)

Recommended set up for the *Superstand HLT*:

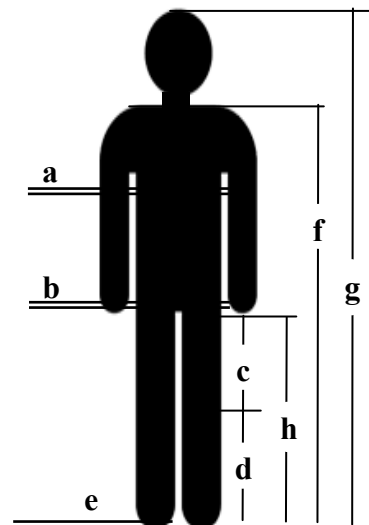
1. Take the client measurements as listed below and record them in the appropriate location.
2. Lock the casters to restrict the movement of the unit.
3. Adjust the height of the mast, the hip and chest support assemblies to the desired position.
4. Adjust hip support and lateral support width to allow the client to fit within them.
5. Tilt mast assembly back to it's horizontal location for ease of client loading.
6. Place client on the *Superstand HLT*
7. Adjust the hip and chest lateral pads to hold the client and control any lateral movement.
8. Put the clients legs into the knee supports and fasten the strap while making sure that the pad is in place to protect the clients skin.
9. Adjust the foot system to properly hold the clients feet.
10. Fasten all support items (vest, belts, pads) around the client making sure that they are secure before attempting to stand the client
11. Once all supports are in place and secure slowly adjust the standing angle of the mast and positioning assemblies to the desired angle. Once the desired angle/position is achieved rotate the lockout block to lock the unit in place.

*****Note: Never stand any client without all supports in place and fastened securely.**

The following measurements should be recorded here to properly setup the *Superstand HLT*:

- | | |
|--------------------|-------|
| a. Chest Width | _____ |
| b. Hip Width | _____ |
| c. Hip to Knee | _____ |
| d. Knee to Heel | _____ |
| e. Shoe Size | _____ |
| f. Shoulder Height | _____ |
| g. Overall Height | _____ |
| h. Inseam | _____ |
| i. Weight | _____ |

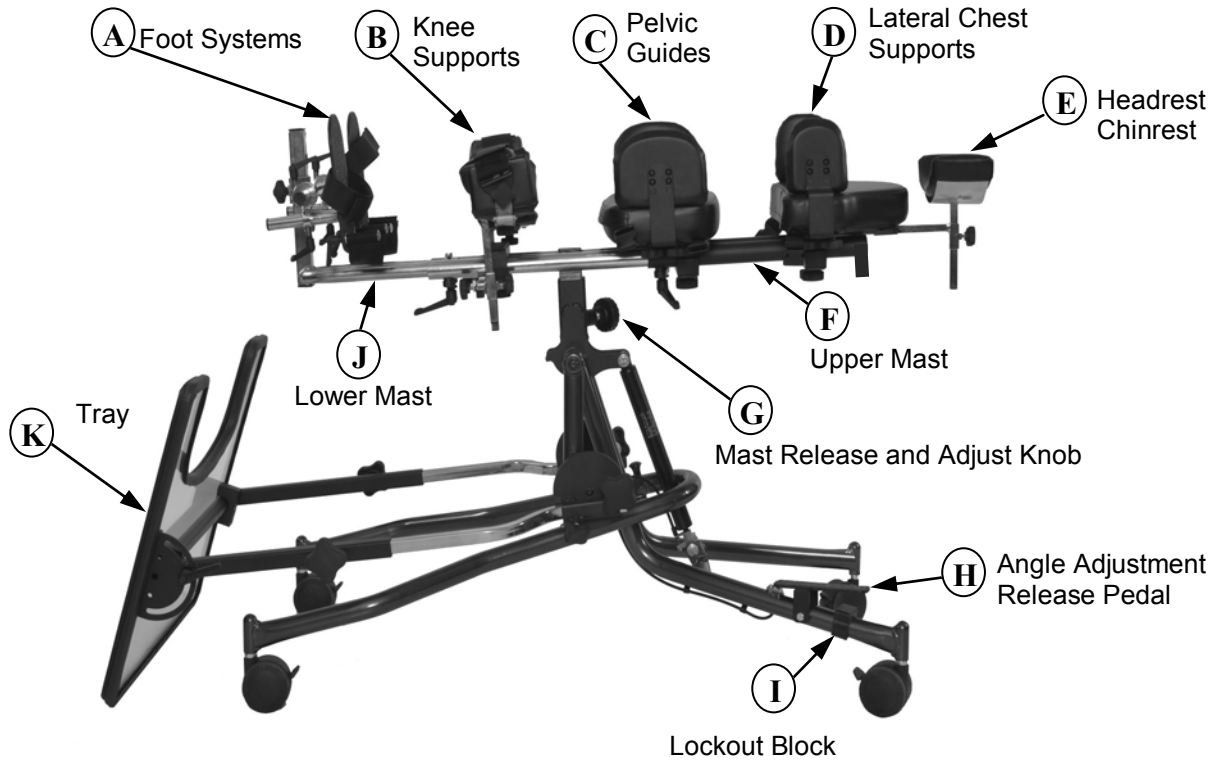
Shoulder height and head height measurements should be taken from the bottom of the foot with the foot in a neutral or 90 degree position.



****Note: All measurements assume a symmetrical standing posture unless otherwise noted.**

****Note: Never leave the client unattended while in the stander.****

Adjustable component identification



Unit shown with some optional components installed.

#	Pg	Item	Function / Item Description
A	11	Foot Systems	Multiple Foot Systems are available, see the individual instructions.
B	12	Knee Supports	Knee support systems for LE alignment and support
C	13	Pelvic Guides	Adjustable lateral hip pads and height adjustable hip support pad.
D	13	Lateral Chest Supports	Adjustable lateral chest pads and height adjustable body support pad.
D	14	Lateral Pad Tracks	Optional mounting system for chest or hip lateral pads.
E	14	Headrest / Chinrest	Head support options and brackets.
F	15	Upper Mast Tube	Adjustable for client height and client position changes.
G	15	Mast Release Knob	Release mechanism for removal and installation of the mast assembly.
H	15	Mast Adjustment Pedal	Release pedal for the adjustment of the positioning system angle.
I	15	Pedal Lockout Block	Disables the mast adjustment pedal.
J	16	Lower Mast	Adjust for height, leg length and client position changes.
K	16	Tray and Tray Options	Depth, Angle and Height adjustable trays and optional items.
*	17	Vests and Straps	Support straps including Vest and Hip Strap (*not shown above).

Note: For Individual component Adjustment and Usage Instructions for your Superstand HLT see the page that is referenced on the above illustration and chart.**

***Optional items may be packed with your product that are not in this manual. Identify all optional components and any instructions that go with them.*

Adjustment and Use Instructions

Foot Systems



One piece Foot Platform

This Foot Platform allows you a flat surface to place the feet on and a flat mounting surface to bolt on specific positioning devices if desired. This platform supplies minimal positioning and adjustment (*Figure 1*).



Independent Footplates

These Footplates are individually adjustable in height, width and toe-in / toe-out with the knobs found on each side of the system. Slide the foot support up or down or side-to-side to the desired position maintaining proper alignment for the lower extremities (*Figure 2*).



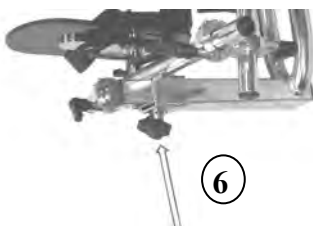
Multi-Adjustable Foot System

This complete Foot Support System is individually adjustable in height, width, toe-in, toe-out, planter-flexion, dorsi-flexion, foot placement and is adjustable for up to 4" of leg length discrepancy. Adjustments are done with the ratchet knobs found on the under side of each footplate (*Figure 3*).



Heel Loops and Ankle Straps

Heel Loops and Velcro-adjustable foot straps will secure the placement of the feet and are standard on the Independent Footplates and the Multi-Adjustable Foot System (*Figures 4 & 5*). The heel loops are adjustable both forward and back with the Independent Footplates and the Multi-Adjustable Foot System to allow for maximum adjustability and the best foot placement possible.



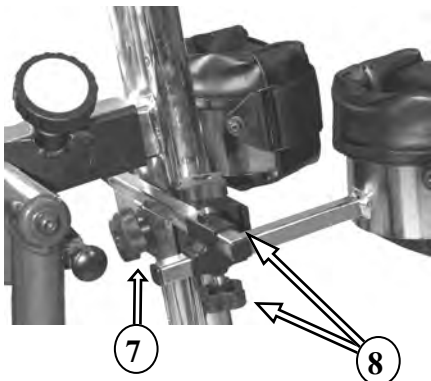
Footrest Mounting

Mounting for all foot systems and front-to-back adjustment is done with the knob on the underside of the assembly (*Figure 6*). The entire Foot Support System is reversible on the center mast to easily accommodate prone or supine positioning.

****Note: Never leave the client unattended while in the stander.****

Adjustment and Use Instructions

Knee Support Mounting and Adjustment



Knee Pad Height Adjustment

Adjust the Knee Pad height with the large black knob on the back of the support assembly to slide it up or down on the center mast (Figure 7).

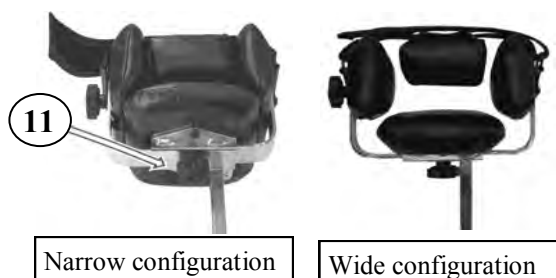
Knee Pad Width / Depth Adjustment

Individually adjust each kneepad placement by loosening the knob on the T-adjuster that you wish to adjust for either depth or stance (Figure 8).



Standard Knee Supports

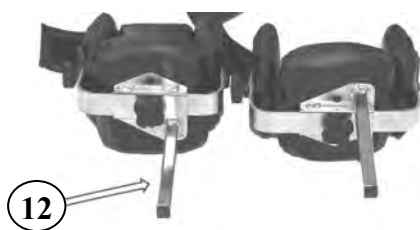
Position the knee pad to hold the Lower Extremities in the desired position. Pads are adjustable front-to-back and/ or side-to-side for proper alignment of the lower extremities. Prepare the knee support for use by pulling open the Velcro closure and removing the strap out of the D-Ring that holds it (Figure 9). After the leg is properly positioned in the knee support, insert the strap through the D-ring and tighten the strap with the pad in place to hold the leg securely (Figure 10).



Size Adjustable Knee Supports

Size Adjustable pads have all of the adjustability of the standard knee pads plus the advantage of allowing the actual internal width of the individual pad to be adjusted. Adjustments are done by loosening the black knob (Figure 11) on the back of the knee pad and sliding the sides to the width desired. Tighten the knob to hold them at the size/configuration desired.

Individual Height Adjustments for Knee Pads



You can change the height of each knee pad in the mountings by turning them over as the rear mounting posts are offset. You can also reverse the mounting of the t-adjuster on the cross bar that holds them to get an additional variant in vertical alignment.

****Note:** The mounting post on the size adjustable knee pads have a greater offset that will work on right to left adjustment to get the pads closer together as well as varying the height of the pad (Figure 12).

****Note: Never leave the client unattended while in the stander.****

Adjustment and Use Instructions

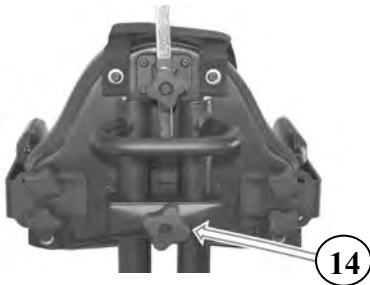
Body Support System

Pelvic Pad Height Adjustment



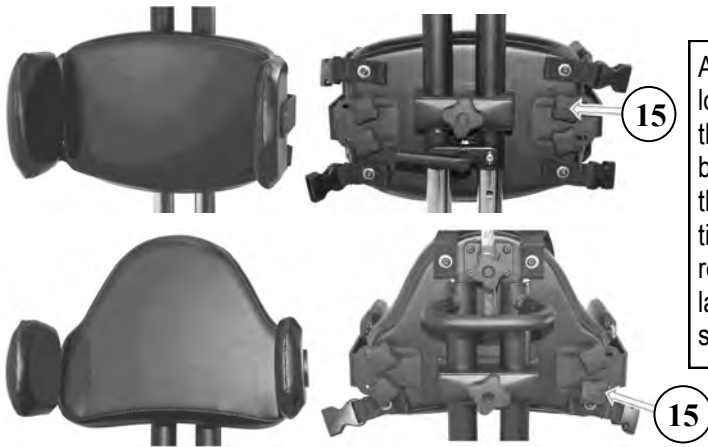
Adjustment for the hip pad height is done on the center mast by loosening the large black adjustment knob on the back of the hip pad and moving the pad to the position desired and tightening the knob to hold the pad in place (Figure 13).

Body Pad Height Adjustment



Height adjustment for the body pad is done by loosening the large black adjustment knob on the back of the body pad and moving the pad to the position desired and tightening the knob to hold the pad in place (Figure 14).

Lateral Pelvic Guide Pads and Lateral Chest Support Pads

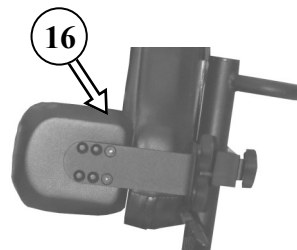


Adjustment for the lateral support pads is done by loosening the adjustment knobs on the backs of the lateral support brackets Figures (15). Slide the brackets to a wider or narrower setting securing the child's side-to-side position stability and position. Lateral supports can be depth adjusted by removing the mounting screws on the side of the lateral mounting bracket, move the pad to the desired position and replace the screws Figure (16)

Available Lateral Pad Brackets



Pad mounting brackets are available as shown in 90 Degree (standard), 1" offsets and 2" offsets to allow for optimal positioning and growth adjustment.



Lateral supports can be depth adjusted by removing the mounting screws on the side of the lateral mounting bracket, move the pad to the desired position and replace the screws (Figure 16).

****Note: Never leave the client unattended while in the stander.****

Adjustment and Use Instructions

Optional Lateral Pad Sliding Adjustment Tracks



Sliding adjustment tracks allow the fastest height, width and angle adjustment for the lateral pads. These tracks are available for the Chest and the Hip support systems.

Note:* When using the Sliding track mounts some body pad shapes are not available.

Note:** Not available on the EI size unit.

Head Support Options



Headrest



Chinrest

Insert the Headrest (for supine or vertical standing) into the height adjustment tube then into the mount at the top of the Body Support Pad (Figure 17). For prone standing insert the Chinrest assembly into the mount on the back of the body pad. Tighten the adjustment knobs to hold them in place (Figure 18).

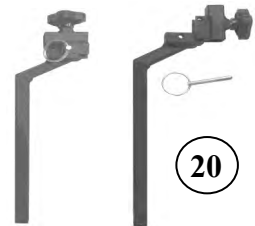
1/2" Square Tube Mount

The 1/2" square tube mount (Figure 19) is included with the Superstand HLT headrest and will accept other headrests that use a 1/2 square tube mounting post. This mount allows both height and depth adjustment and can be ordered separately when needed.



1/2" Square Tube Flip-down Mount

The 1/2" square tube flip-down mount (Figure 20) will accept other headrests that use a 1/2 square tube mounting rail that need to be flipped back for client access or positioning. This hardware allows for height and depth adjustment of other headrests.



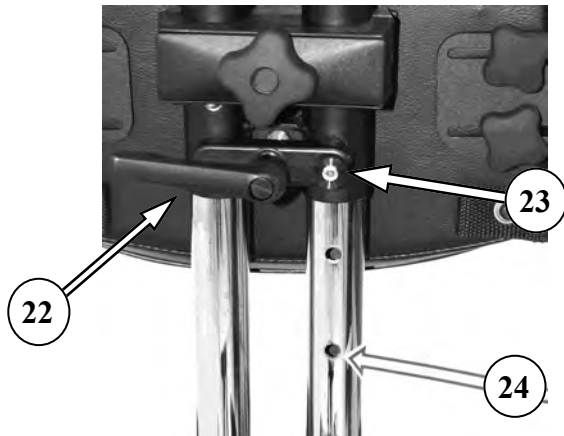
i2i Tube Flip-down Mount

The i2i flip-down mount (Figure 21) will accept the i2i Headrest and allow it to be flipped back for client access or positioning. This mount must be used with the i2i intermittent hardware as the mount only allows for height adjustment, all other adjustments are done with the i2i hardware.



Adjustment and Use Instructions

Upper Mast Adjustment



The Upper Mast has the ability to move up or down on the center mast as needed for height adjustment of the upper mast portion of the Superstand HLT. Adjust the mast by loosening the ratchet knob (*Figure 22*) then pulling out on the release pin (*Figure 23*). After the mast reaches the desired height release the pin and allow it to snap into the nearest locating hole. Tighten the ratchet knob to remove any unwanted movement in the upper mast. Each hole location (*Figure 24*) adjusts the mast up or down 1.5”.

Mast Release Knob



The Mast Release Knob (*Figure 25*) has two functions, it allows you to remove the mast assembly from the base to fold the base and it will remove any unwanted movement when the mast is mounted to the base. Release the mast by placing the unit in its horizontal position then loosening the round knob (*Figure 25*). Pull out on the knob to lift the mast out of the mast post receiver. To install, just insert the mast into the receiving post and tighten the knob (*Figure 25*) to remove any unwanted movement.

Mast Adjustment Pedal



The angle of the complete positioning system can be set at any adjustment from horizontal to vertical. While holding onto the top of the upper mast, depress the foot pedal found on the base of the stander and move the mast to the desired angle. (*Figure 26*). Release the pressure on the foot pedal to lock it in place.

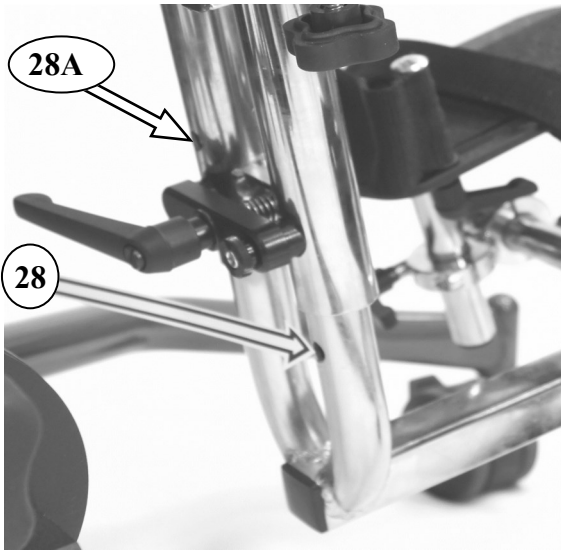
Pedal Lockout Block



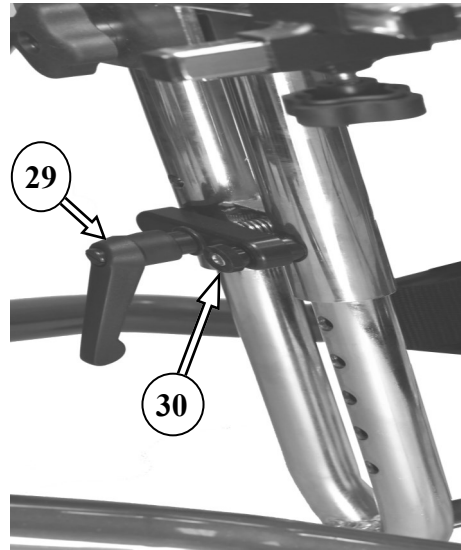
To secure the mast angle adjustment from unwanted changes, slide the “Lock-out Block” (*Figure 27*) under the mast adjustment pedal as far as it will go and leave it in-place until you wish to change the angle of the positioning system.

Adjustment and Use Instructions

Lower Mast



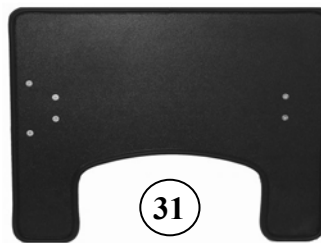
The lower portion (foot section) of the mast can be adjusted for additional client height adjustments and to adjust the clients position in the device. Adjustments are done in 1" increments with the series of holes on the lower inner mast tube (Figure 28).



Adjustments are done by loosening the ratchet knob (Figure 29) and pulling out the adjustment pin (Figure 30). Slide the inner tube to the desired location release the knob locking it in place. Tighten the ratchet knob to remove any unwanted movement.

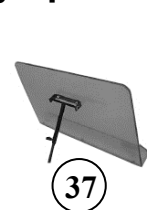
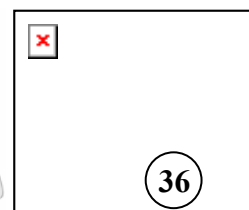
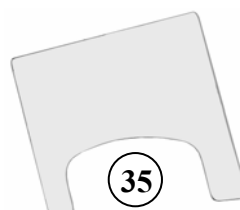
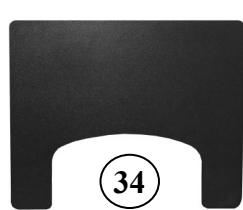
NOTE: *A security pin is located just above the clamp assembly to stop the lower mast tube from over extending (Figure 28A). If the pin is exposed it will need to be pushed back in by firmly pushing the lower mast insert tube back into the outer mast tube.

Superstand HLT trays come in multiple configurations. The Opaque tray is black ABS (Figure 31), the Clear Tray (Figure 32) is high quality acrylic and has a clear see through surface. Both trays are available on Superstand HLT and supply a durable surface for positioning and tasks. All trays are height, depth and angle adjustable to maximize the function for the client.



Trays

Tray options



The Activity Bowl option (Figure 33) includes a 7" bowl and allows for therapy and craft activities, the bowl is removable and comes with a lid. The Opaque Tray Overlay (Figure 34) and the Clear Tray Overlay (Figure 35) fit inside the tray edging on the tray surface to give a secondary surface. **** Note: An overlay is always recommended with the Activity Bowl option.** Elbow guides (Figure 36) mount to the rear corners of the tray and assist in holding the upper extremities. The Tray Easel (Figure 37) supplies an angle adjustable surface and will hold a book or other materials on any of the full size trays.

Adjustment and Use Instructions

Vests and Straps

Support Vest for Supine, Vertical or Prone positioning



Support vests can be used in Supine or Prone.

Support Vests are standard in Cotton Denim in either Blue or Black. The denim material assists in avoiding heat build up and is soft and comfortable for the client. Vests are also available in vinyl to allow them to be easily wiped off for cleaning and for multiple client use.

Vests are put on or removed with either the buckles that are located on the sides and top of the vest (Figure 38), or you can separate the vest down the center and remove the client. When closing the vest in the center make sure you align the Velcro, press it together and adjust the buckle to the appropriate length and secure it in place to hold the client (Figure 39). The shoulder straps have pads sewn to them to cover the buckles to make sure that the buckle does not touch the client (Figure 39).

The vest should be positioned inside of the lateral supports (Figure 39) and be tight enough to securely hold the client in place.

Soft Hip Strap for Prone positioning



Soft Hip Straps are standard in Cotton Denim in either Blue or Black, the cotton denim will help avoid heat build up and is soft and comfortable against the client. Soft Hip Straps are also available in vinyl to allow them to be easily wiped off for cleaning and for multiple client use.

Clients are put into or removed from the hip strap by the buckles that are located on the sides of the strap (Figures 40), wrapping it around the hips of the client and then pulling the straps to remove the excess slack from the strap to pull the client into the desired position (Figure 41).

Soft Hip Straps are generally used for Prone positioning.

****Note: Never leave the client unattended while in the stander.****

Annual Product Inspection

(Therapist, Technician, Dealer)

It is recommended that each *Superstand HLT* should be subject to a detailed inspection at a minimum of at least once a year and every time the product is reissued for use. This inspection should be carried out by a technically competent person who has been trained in the use of the product and should include the following checks as a minimum requirement.

1. Check the mast locking assembly and ensure that it locks the mast securely to the base frame. Make sure that the pin moves freely into the locked position and fully engages the mast post.
3. Verify that all knobs, nuts, bolts, plastic buckles and Velcro are in place and replace any missing items.
4. Lift the base to check each caster individually. Make sure they are free to move for both swivel and roll and remove any dirt or contaminants from the wheels.
5. Check that the caster locks function correctly.
5. Visually check the structure of the product paying attention to the frame ensuring there are no signs of fatigue or cracking around the welds or on the frame.
6. Make sure that all nuts and bolts are tight and secure.
6. Maintain a written record of all product inspections. If there is any doubt of the continued safe usability of your *Superstand HLT* or if any parts should fail, cease using the product immediately and contact our customer service/repair department or your local dealer as soon as possible.

Product Servicing

Servicing of any Superstand HLT should only be done by technically competent persons who have been trained in the use of the product.

****Note: Never leave the client unattended while in the stander.****

Reissuing Superstand HLT

Superstand HLT's are very growth capable with a large range of adjustment to meet the needs of multiple individuals that fit the range of the products specifications. Before reissuing a *Superstand HLT* the therapist prescribing the product should have carried out an equipment compatibility check for the new client and has ensured that the product being re-issued contains no modifications or special attachments. The actual components of the current unit should also be verified as to the correct fit for the new client as well.

A detailed technical inspection should be carried on the product prior to re-issuing. This should be carried out by a technically competent person who has been trained in the use and inspection of the product. Please refer to the Annual Product Inspection section for the required checks.

Ensure the product has been cleaned thoroughly in accordance with the Cleaning and Care section of this manual.

Ensure a copy of the Owner's Manual is supplied with the product. If one is not with the unit you can request one from Info@primeengineering.com or your supplying dealer.

A written record should be maintained of any and all product inspections and changes done during any reissue of the *Superstand HLT*.

If in any doubt to the continued safe use of your *Superstand HLT* or if any parts should fail, please cease using it immediately and contact our customer service department or your local dealer as soon as possible.

Superstand HLT EI ~ 1 ~ 2
Limited Warranty
Effective January 1, 2013

This warranty coverage is extended to the original purchaser for as long as the original purchaser owns the system. *This warranty is in effect for the Superstand HLT EI, 1 and 2 (the product) standing frames. Prime Engineering, Inc. ("the Company") shall repair, or replace the Product that fails due to defect in material, or workmanship per the following schedule:*

Frames: Lifetime to the original purchaser subject to the following terms, limitations and conditions.

Gas Shocks: One year to the original purchaser subject to the following terms, limitations and conditions.

Straps: One year to the original purchaser subject to the following terms, limitations and conditions.

Other Components: Upholstery, plastic parts, painted surfaces, rubber parts, bearings, casters and other parts not specifically identified above, all of which are warranted against defects in material and workmanship for three months from the original purchase date, subject to the following terms and conditions, and limitations.

Warranty Conditions. This warranty shall be in effect from the original purchase date to the consumer. The warranty registration form should be fully completed by the original retail purchaser / user or their agent, and received by *Prime Engineering* at its address set forth on the registration form no later than three months after the original purchase date. Any defective Product shall be delivered to *Prime Engineering*, or its local authorized dealer, at purchaser's expense for warranty inspection. Return freight charges shall be prepaid by *Prime Engineering*. You may contact Prime Engineering at (800) 827-8263, (559) 276-0991 or via email at Info@primeengineering.com for authorized dealers in or near your location.

Limitations and Exclusions. The warranty provided above shall not apply to (a) a serial numbered Product if the serial number has been removed or defaced; (b) any Product subjected to negligence, abuse, misuse, improper operation, maintenance, or storage, or damages beyond *Prime Engineering's* control, as determined by *Prime Engineering*; (c) defects arising from purchaser's failure to follow instructions. *Any Changes or Additions* to the Product of unauthorized parts not manufactured or furnished by *Prime Engineering*. **The repair or replacement by *Prime Engineering* for a defective Part or Product shall be purchaser's sole and exclusive remedy under the warranty.** Repair labor/ service charges are not covered by this warranty and are not the responsibility of *Prime Engineering*.

The foregoing Warranty is exclusive and in lieu of all other warranties, express, implied, or statutory, including warranties of merchantability and fitness for a particular purpose and design. In no event shall *Prime Engineering* be liable for any consequential or incidental damages.

Some states do not allow limitations on how long an implied warranty lasts or the exclusion or limitations of incidental or consequential damages, so the above limitations or exclusions may not apply to you. This warranty gives you specific legal rights, and you may also have other rights that vary from state to state.



Prime Engineering
A Division of Axiom Industries, Inc.