



Electric Tricycle Operator's Manual



WARNING:

Read carefully and understand all INSTRUCTIONS before operating. Failure to follow the safety rules and other basic safety precautions may result in serious personal injury. Save these instructions in a safe place and on hand so that they can be read when required. Keep these instructions to assist in future servicing.



INDEX

1. SAFETY AND WARNING	1~4
2. TECHNICAL SHEET	5
3. COMPONENTS	6
4. HARDWARE	6
5. ASSEMBLY	7~20
6. FEATURES	21~23
7. OPERATION	24~25
8. MAINTENANCE and STORAGE	25
9. WARRANTY	25

SAFETY AND WARNING

1. SAFETY INFORMATION

Read and Understand The Manual Before Riding

- Read this entire Owner's Manual before you take the first ride on your new E-Tricycle and keep it for reference. This Owner's Manual contains important safety, performance, and service information.
- Like any sport, bicycling involves risk of injury and damage. By choosing to ride a bicycle, you assume the responsibility of that risk: you need to know and practice the rules of safe and responsible riding as well as proper use and maintenance. Proper use and maintenance of your bicycle reduces the risk of injury. If you have any questions or do not understand any aspect of using or maintaining your bike, take responsibility for your safety and contact our customer service team.
- The E-Tricycle is classified as a PAS (Pedal Assist System), and is referred to in this manual as a bicycle unless otherwise noted.

Rider's Responsibility Regarding Regulations

- It is the rider's responsibility to obey the regulations that apply to your E-Tricycle.
- The regulations covering the use of your E-Tricycle vary by state, and even municipality in certain locations. You must comply with the local regulations related to the minimum age of the rider, driver's license, insurance, license plate, traffic, and maximum speed regulations, and any other regulations. These regulations may change at any time.

Intended Use

- The intended use of your E-Tricycle is to be ridden by one adult rider (age 18 and up) at an appropriate time and place for general transportation and/or recreational use. Any other use is prohibited and may result in SERIOUS INJURY or DEATH.
- Your bicycle is NOT INTENDED for off-road or mountain bicycle use, or for any kind of jumping. Some of these bicycles have suspension features, but these features are designed only to add comfort, not off-road capabilities.
- Riders should be proficient cyclists (ages 18+), riding on paved surfaces where the tires are always on the ground, on roadways, or dedicated bicycle-only lanes where permitted by law (not on pedestrian-use shared lanes or sidewalks). Your bicycle should not be used to tow another bicycle.

2. SAFETY WARNING

WARNING

To prevent serious injury or death:

- a) **Read all safety warnings and all instructions.**
- b) **Always ride within your limits and the limits of your E-Tricycle.**
- c) **Bicycles are only for use by persons 18 years of age and above.** Riders must have the physical coordination, reaction, and mental capabilities to control a bicycle and manage traffic, in addition to managing road conditions and sudden situations with respect to the laws and instructions governing bicycle use. Persons with any mental or physical conditions that may make them susceptible to injury, impair their physical dexterity or mental capabilities to recognize, understand, and follow safety instructions—or understand the hazards inherent to its use—should not use or be permitted to use products inappropriate for their abilities.
- d) **Never ride under the influence of drugs and/or alcohol.**
- e) **Consult a doctor before using the device if you have any medical condition or issue that affects your ability to safely perform physical activities, or if you:**
 - are or may be pregnant;
 - have heart, respiratory, back, joint, or other orthopedic conditions;
 - have high blood pressure;
 - have difficulty with physical exercise;
 - have been instructed to restrict physical activity.

- f) **Always keep small parts away from children.** Some E-Tricycle accessories may present a choking hazard to small children.
- g) **Never modify your frame or bicycle in any way.** Do not sand, drill, file, or remove parts from your bicycle. Do not install incompatible components or hardware.
- h) **Always use proper lifting techniques to prevent injury.** Your E-Tricycle may be significantly heavier than a bicycle without a battery pack and a motor.

Helmets

- a) **Always wear a helmet. Wearing a helmet properly may reduce the risk of a severe head injury.** When riding, always wear a helmet that meets or exceeds the standards of the Consumer Product Safety Commission (CPSC). Check the manual that comes with your helmet.
- b) **Ensure your helmet fits your head and is properly secured.**
- c) **Read your helmet manual to make sure it is adjusted properly according to the fitting instructions provided by the helmet manufacturer.**
- d) **A proper-fitting helmet should be comfortable and should neither rock forward/backward nor side to side.**

Pre-Ride Safety Check

- a) **Before each ride, inspect your E-Tricycle for damage. If damage is found, do not ride.**
- b) **Verify that the handlebar and seat clamps are closed and tightened to the torque specified in the Owner's Manual.**
- c) **Verify that both the handlebar latch and frame latch are secure and fully closed.**
- d) **Check tire pressure of both wheels.**
- e) **Pull the brake levers to ensure the brakes are working properly and adjust if necessary.**
- f) **NEVER exceed the maximum total weight limit of 330Lbs (150Kgs).** The rear basket can hold a maximum of 88Lbs. (40Kgs).

Follow E-Tricycle Regulations On and Off the Road

- a) **Be aware of E-Tricycle regulations in your area.**
- b) Generally, the regulations for the use of an electric bicycle are the same as those for a standard bicycle. However, there may be local differences such as where you can ride, minimum rider age, or required equipment and license and registration regulations.
- c) It is your responsibility to know the local regulations that apply to an electric bicycle and to obey them.

Ride at Your Own Risk and Use Common Sense

- a) **Always keep both hands on the handlebar grips and the brake levers so they are within reach while riding.**
- b) **Do not ride distracted. Always remain alert to all riding conditions. Using the Display or other technology (including your mobile phone or music player) could distract you from riding. Only adjust the Display when stationary and in a safe start-up position.**
- c) **Never use headphones or a cell phone to talk or text when riding.**
- d) **Always ride defensively.** Watch out for potential obstacles that could force you to swerve suddenly or lose control. Braking while steering may reduce your ability to control your bicycle.
- e) **Look ahead and brake sooner.** You may be moving faster on your E-Tricycle, and it may be heavier, compared to a bicycle, which means you may need to react and brake sooner when riding. Other road users may not expect you to be traveling at higher speeds. Riding faster may increase your risk of a crash.
- f) **Stop pedaling well before approaching corners to avoid entering a corner too quickly.** You should also pay particular attention to terrain conditions as you may approach obstacles faster than expected.

Riding in Wet Conditions

- a) **Use caution when riding in wet conditions as it will take longer to brake and to stop.** Your tires may slip when turning. Risk of a crash is dramatically increased in wet conditions.
- b) **Your electric bicycle can withstand light rain and small splashes, but it is not designed to be subjected to inclement weather,** extremely heavy showers, or submersion in water. Water damage is not covered under the warranty.

Riding at Night

- a) **Riding at night comes with more risks than riding during the day due to decreased visibility; riders are encouraged to exercise increased caution in nighttime conditions.**
- b) **Turn lights ON for safety. For increased visibility, ensure that the front headlight and rear taillight are turned ON and adjusted such that other people on the road can see them clearly. Also check your front, rear, and wheel reflectors.**
- c) **Riders should wear reflective clothing at night. You may want to attach additional flashing lights to your clothing or helmet.**

3. SAFETY INSTRUCTIONS FOR BATTERY AND CHARGER

1) Battery

- a) Battery must be fully charged before first use.
- b) Insert charger pin to battery. Plug the charger into a 100-240 AC outlet, a red light should appear on the charger. Charge the battery until the light on the charger turns solid green.
- c) Always charge the battery at room temperature (**suggest temperature range is 32°F/0°C to 120°F/49°C**). If the battery is used in a cold environment, allow it to warm up for at least an hour before charging. Cold batteries will not be charged completely and battery components may be damaged.
- d) Only charge battery in well ventilated area away from flammable materials such as cloth or carpeting.
- e) To disconnect charger, remove the plug from outlet, then disconnect the charger from the battery.
- f) **DO NOT** leave the charger being connected to the battery for more than 24 hours.
- g) The battery status indicator is mounted on the top of the battery to allow you to observe the level of the battery power while in use. To check the charge level, simply press the indicator button. The lights on the status indicator show the charge level of the battery.
 - **One LED (one red): 0~30% battery capacity;**
 - **Two LEDs (one red, one green): 30%~60% battery capacity;**
 - **Three LEDs (one red, two green): 60%~80% battery capacity;**
 - **Four LEDs (one red, three green): 80%~100% battery capacity.**
- h) If battery becomes warm or hot during charging procedure, disconnect it from charger. Allow battery to return to room temperature, and attempt to charge again. If this persists a second time, disconnect battery from charger and contact customer service.
- i) Battery Maintenance Responsibility: Fully charge and discharge the battery at least once every 8 months to maintain battery's health.
- j) Store the battery on a full charge.
- k) When battery pack is not in use, keep it away from other metal objects like paper clips, coins, keys, nails, screws, or other small metal objects that can make a connection from one terminal to another. Shorting the battery terminals together may cause burns or fire.
- l) To save the battery life, **SWITCH OFF** the power of machine, or **REMOVE** the battery from machine when reset.

2) Charger

- a) The battery is charging when the LED light on the charger is red. When the battery is 100% charged, the light on the charger will turn solid green.
- b) The provided charger has a built-in overcharge protection to prevent the battery from being overcharged.
- c) Charging time is approximately 1.5~2 hours for a fully discharged battery.
- d) Regularly inspect the charger for damage to the cord, plug, enclosure and other parts. In the event of such damage, the charger must not be used until it has been repaired or replaced.

- e) Unplug the charger from the wall outlet when not in use. As a safety mechanism, when the charger stops charging because the battery is full, the charger must be reset by unplugging it from the wall outlet before it will resume charging.
- f) Use only the charger supplied with this E-Tricycle or a recommended replacement specified by SuperHandy. Failure to confirm compatibility, properly install, operate and maintain any charger, component or accessory can result in serious injury or death.

3) Instruction for Charging

- a) Turn the E-Tricycle power off. Open the battery cover and get out battery.
- b) Securely plug the charger into the charge port, and plug to power supply.
- c) Insert the charging pin into the hole at battery top.
- d) A solid red light on the charger indicates the battery is charging. A solid green light indicates the battery is fully charged.
- e) Remove the plug from the power supply, then remove the battery from charger.
- f) You will not damage the battery by riding the E-Tricycle until the battery is fully discharged and the E-Tricycle motor shuts down.

WARNING

Failure to confirm compatibility, properly install, operate and maintain any charger, component or accessory can result in serious injury or death.

4. SYMBOLS INDEX

DANGER

Indicates a potentially hazardous condition/situation. Failure to follow designated procedures, will result in death or serious injury.

WARNING

Indicates a potentially hazardous condition/situation. Failure to follow designated procedures, can cause either personal injury, component damage, or malfunction.

CAUTION

Indicates a potentially hazardous condition/situation. Failure to follow designated procedures, can cause personal minor or moderate injury and/or equipment damage.

NOTE

Indicates information considered important, but not hazard-related. (e.g. messages relating to property damage).



Safety Alert Symbol. This symbol is used to alert you to potential personal injury hazards. Obey all safety messages that follow this symbol to avoid possible serious injury or death.



Read Operator's Manual in its entirety. To reduce the risk of injury, user must read and understand operator's manual before using this product.

TECHNICAL SHEET

Performance	Maximum load weight (Including the Weight of Cyclist)	330Lbs (150Kgs)
	Maximum load weight of rear basket	88Lbs (40Kgs)
	Maximum speed (Throttle mode)	Up to 7.5mph (12km/h)*
	Range per charge (Throttle mode)	Up to 12miles (14km)*
Tires	Size	24"(D) x 2"(W), Pneumatic tire
	Pressure	40+/- 2 PSI
Motor	Rated Voltage	48V
	Rated Power	250W
	Type	Brushless motor
Detachable Battery	Voltage	48V
	Capacity	2.0Ah
	Type	Lithium-ion battery
	Compatible with SuperHandy 48V 4Ah battery	
Charger	Input voltage	100-240V, 50/60Hz
	Charging time	1.5~2h
Riding Model	Throttle mode: Full battery powered	
	PAS mode (Pedal Assist System): Pedal assist to make exercise easier	
	Bike mode: Exercise riding	

*** Top speed and range per charge depends on rider weight, wind speed, temperature, riding style, riding surface, battery condition, and other factors. Actual top speed and range per charge may vary.**

COMPONENTS



Part No.	Description	Part No.	Description
1	Handlebar assembly kit	15	Battery x2
2	Main frame assembly kit	16	Charger
3	Front fender with brace arm	17	Pedal x2
4	Rear fender with brace arm x2	18	Chain
5	Storage box of battery	19	Rear shaft cover x2
6	Seat	20	Rear fender reflector
7	Seat stem	21	Front shaft cover
8	Rear frame assembly kit	22	Spring
9	Basket	23	Basket fixing plate
10	Front Sprocket	24	LED
11	Fender brace	25	Wire cap
12	Rear tire x2	26	Front sprocket fixing nut
13	Front hub tire	27	Cable clip
14	Battery box		

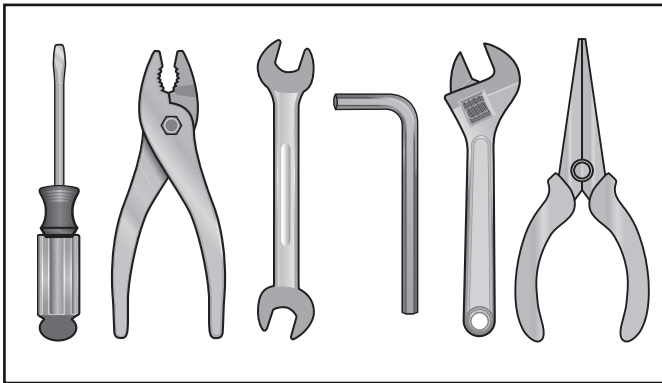
HARDWARE

The hardware comes attached to the big parts. Compare the hardware with the illustrations below to ensure you have the hardware necessary to assembly the tricycle.

ASSEMBLY

- Improper assembly of this product may result in serious injury or death. Always follow the instructions in this manual and check critical components (e.g. wheels, seat, pedals, brakes, tires) before each use.
- Your new bicycle was assembled and tuned in the factory and then partially disassembled for shipping. The following instructions will enable you to prepare your bicycle for enjoyable cycling.
- For more details on assembly, lubrication, maintenance and adjustment of any area please refer to the relevant sections in this manual. If you have questions about your ability to properly assemble this unit, please consult a qualified bicyclist mechanic before riding.

1. Tools Required



- Phillips head screw driver (minimum four inch shaft)
- 4mm, 5mm, 6mm and 8mm Allen wrench
- Adjustable wrench or a 8mm, 10mm, 12mm, 13mm, 15mm, 17mm, 18mm and 22mm open-end wrenches or Socket wrench
- Long Nose Pliers

2. Getting Started

- Open the carton from the top and remove the tricycle parts.
- Remove the straps and protective packaging from the bicycle. **Important! Do not discard packing materials until assembly is complete to ensure that no required parts are accidentally discarded.**
- Inspect the tricycle and all accessories and parts for possible shortages. It is recommended that the threads and all moving parts in the parts package be lubricated prior to installation.

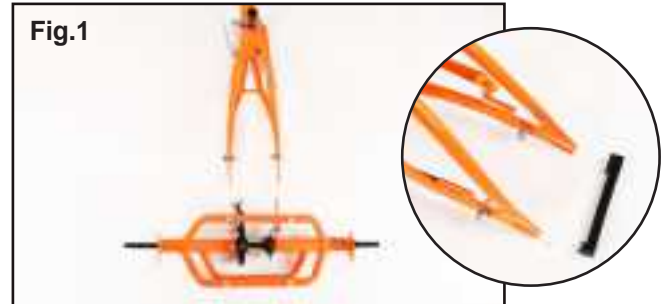
3. Assemble the Rear Frame Kit

Parts: Rear Frame Kit (Part No.8), Main Frame Kit (Part No.2)

Hardware: Bolts (6x), Washer (6x), Nuts (6x)

Tools: 17mm Open-end wrench, 8mm Allen wrench

- 1) Remove the protection bar at rear frame fork (**Fig.1**).
- 2) Open the nuts at main and rear frame kit to leave enough space, but do not remove the nuts.
- 3) Insert the rear frame fit to the main frame kit to the end. The forks of rear frame are at inner side (**Fig.2**).



- 4) Lightly tighten the front nut and bolt of both sides. Do not tighten completely (**Fig.3**).



- 5) Lightly tighten the rear two nuts for both sides (**Fig.4**).
Note: The washer and nut will be at same side.



4. Assemble the Rear Tires

⚠ WARNING

Failure to properly tighten the nuts holding the tires onto the tricycle may result in poor riding performance, the tire falling off and serious injury or death.

Always be sure the tires are securely attached to the frame before using the tricycle.

Note: Tire tread patterns have a direction, compare your left and rear tire of the bicycle so that both tread patterns face the forward direction.

Parts: Rear tire (part no.12), Rear frame kit (part no.8), Rear shaft cover (part no.19)

Tools: 22mm open-end wrench

Hardware: Plastic Caps (2), Nuts (2), Washers (2)

- 1) Place a right tire on the right axle. Right tire has a flat surface which fit with the axle (**Fig.5**).
- 2) Place the washer and nut on the axle, and tighten both securely (**Fig.6**).
- 3) To assemble the left tire as steps 1–2. Note: Do not miss the bushing on the left axle.
- 4) Push the plastic caps onto each end of the axles (**Fig.7**).



Fig.5



Fig.6



Fig.7

5. Assemble the Handlebar

Parts: Handlebar kit (part no.1), Main frame kit (part no.2)

Tools: 6 mm Allen wrench

- 1) Remove the cover of handlebar stem. Turn over the handlebar (**Fig.8**).



Fig.8



- 2) Loosened the clamping screw in the middle with 6mm Allen wrench. Turn up the handle bar to a comfort holding angle, and then close the screw (**Fig.9**).



Fig.9



3) Insert the stem post into the steerer tube and adjust the handlebar height until the rider feels they have control of the bicycle and are comfortable (**Fig.10**). **Important!** Be sure the minimum insertion mark do not go above the top of the headset and are not visible.



4) Using a 6 mm Allen wrench tighten the stem binder bolt at the top of the stem post (**Fig.11**).



3) Remove the protecting cover and cut-off the cable tire of motor cable (**Fig.14**).



Fig.14



6. Assemble the Front Tire

⚠ WARNING

Failure to properly tighten the nuts holding the tires onto the tricycle may result in poor riding performance, the tire falling off and serious injury or death.

Be sure the tires are securely attached to the frame before using the tricycle.

Note: Take care the motor cable of front tire. The cable is at right side.

Parts: Front tire (part no.13), Main frame kit (part no.2)

Tools: 18mm open-end wrench, Phillips head screw driver

Hardware: Plastic Caps (2), Nuts (2), Screws (2)

1) Turn the front dropout 180 degree. The brake must be forward (**Fig.12**).

2) Remove the protection bar at front dropout (**Fig.13**).

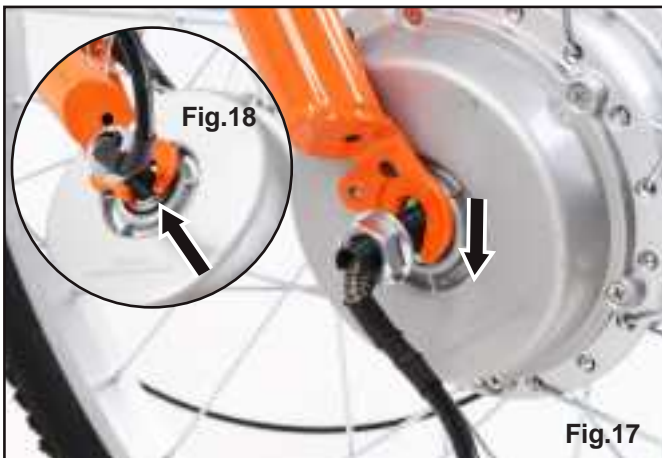
2) Remove two screws at front dropout (Fig.15).



3) Loosen the front brake cable, that make enough space for tire (Fig.16).



4) Place the front tire into the fork openings. The motor cable is at right side (Fig.17). Be sure both sides of the axle rest on the fork and the tire is centered (Fig.18).



5) Place the nut on the axle and loosely tighten. (Fig.19).



6) Check that the tire is centered, and inspect the tire rotating smoothly.

7) Now, tighten each nut until both. If necessary, use a torque wrench with a minimum torque of 20Ft. Lbs.

7. Assemble the Front Fender and LED Light

Parts: Front fender (part no.3), LED light (part no.24)

Tools: 10 mm Open-end wrench, Phillips head screw driver

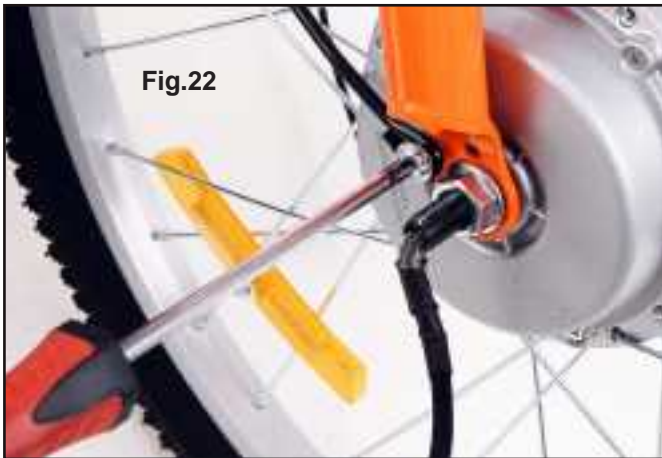
Hardware: Bolt (1), Washer (1), Screws (1)

1) Remove the screw, washer and nut at front frame (Fig.20).

2) The front fender go through the space between tire and frame (Fig.21). Remove the screw, washer and nut at front frame.



2) Assemble the brace arm of front fender to the front dropout at both sides. Loosely tighten the screws (Fig.22).



3) Place the LED light at front side. Insert the bolt that go through LED fork, frame and the hole of front fender (Fig.23).



Fig.23



3) Tighten the nut and bolt securely (Fig.24). Tighten the screws on the fork dropout (Fig.22).



Fig.24

Note: if any bending of front fender, bend it to opposite direction a little and then make it at center.

5) Align the front brake to right position. Insert the assemble position of brake cable into the hook of brake (Fig.25).



Fig.25

8. Assemble the Rear Fender Brace

Parts: Rear fenders and reflectors (part no.4), rear fender braces (part no.5)

Tools: Phillips Head screwdriver, 8 mm open-end wrench

Hardware: Small Bolts (6), Small Washers (6), Small Nuts (6). The Hardware Comes Attached To The Big Parts.

1) Remove the screws at reflectors. Place the reflectors on the fender, the screw go through the round hole, and tighten the nut at the inside (Fig.26).



Fig.26

2) Do the same for both fender (**Fig.27**).



9. Assemble the Rear Fender

Parts: Rear fenders and reflectors (part no.4), rear frame kit (part no.8)

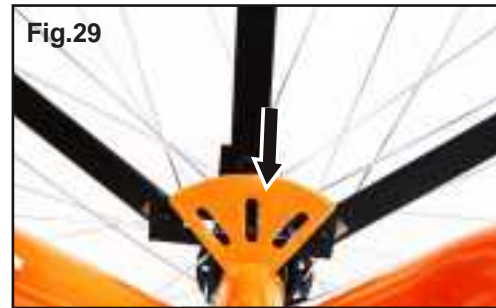
Tools: Phillips Head screwdriver, 10 mm open-end wrench

Hardware: Small Bolts (6), Washer (6), Nuts (6). The Hardware Comes Attached To The Brace.

1) Position the rear fender cover the tire. The rear reflector is faced backward (**Fig.28**).



2) Align the three bumps on the fender tabs with the rear frame tabs to maintain a flat surface. Ensure enough distance between the fender and the tire (**Fig.29&30**).



3) Rotate the rear wheel until there is adequate space for the Phillips Head screwdriver to reach through the spokes to the fender hole. Fasten a screw through the center fender hole into the center hole of the rear frame (**Fig.31**).



4) Repeat steps 1–4 for the second fender.

10. Assemble the Seat

Parts: Seat (part no.6), Seat stem (part no.7), Main frame kit (part no.2)

Tools: 13 mm open-end wrench

- 1) Insert the small size of post into the seat. Loosely tighten the screws (**Fig.32**).



Fig.32

- 2) Release the adjustment lever at seat post frame (**Fig.33**).



Fig.33

- 3) Insert the seat into frame. Adjust the seat height up or down until the rider feels they have control of the tricycle and are comfortable. Ensure the seat is securely locked in place (**Fig.34**).



Fig.34

- 4) Adjust the angle of seat position in comfort. And then securely tighten the nuts under seat (**Fig.35**).



Fig.35

11. Assemble the Front Sprocket

Parts: Front Sprocket (part no.10), Front sprocket fixing nut (part no.26), Main frame kit (part no.2)

Tools: 8 mm Allen wrench

⚠ WARNING

The left and right pedal shafts are in 180° opposite direction and the working position is in same level. Failure to assemble the front sprocket in correct angle will result in riding failure.

- 1) The left pedal shaft is assembled on the frame before shipment. Align the right pedal shaft of front sprocket to 180° opposite to the left side (**Fig.36**).



Fig.36

- 2) Tighten the bolt until the front sprocket is fixed on the frame (**Fig.37**).



Fig.37

12. Assemble the Chain

Parts: Chain (part no.18), Main frame kit (part no.2)

Hardware: Chain link (2), come together with chain

Tools: Long Nose Pliers

- 1) Align the chain go through the front sprocket and rear sprocket (**Fig.38**).



- 2) Insert the post pin through the hole of two ends of chain (**Fig.39&40**).



- 3) Place the plate on the opposite side of the chain (**Fig.41**).



- 4) Clamp the clipping washer at the outside of plate. Ensure the post pin be locked firmly (**Fig.42**).



- 5) Pull the rear frame kit and make the chain tighten (**Fig.43**), and then completely tighten the all screws at rear frame kit (**Fig.44**).



13. Assemble the pedals

Parts: Pedal (part no.17)

Tools: 15 mm open-end wrench

- 1) Assemble the left and right pedals on the correct side, according the L/R mark on pedals (**Fig.45**).



Fig.45

- 2) Close the nut of pedal to the pedal shaft. Tighten it firmly (**Fig.46**).



Fig.46

14. Assemble the Brake Cable

Parts: Spring (part no.22), Wire cap (part no.25)

Tools: 5 mm Allen wrench, 10 mm open-end wrench

⚠ WARNING

Failure to properly set the brakes may result in the inability to stop the tricycle movement and cause serious injury or death. Be sure the brakes are functioning properly before using the tricycle.

Follow these steps if the brake cables are not attached to the brake levers:

- 1) Rotate the brake lever to a comfort position after loosening the screw (**Fig.47**).



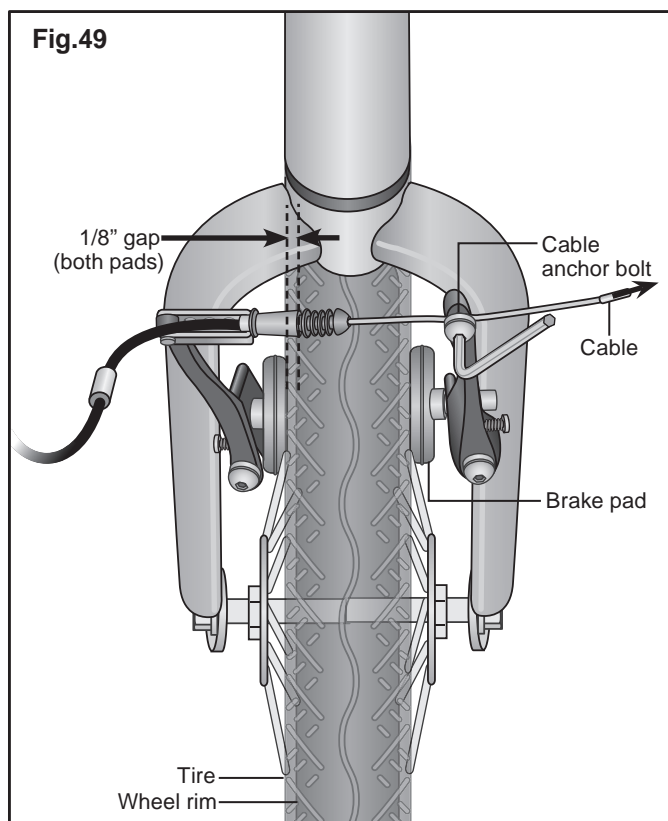
Fig.47

- 3) The front brake was adjusted before shipping. If necessary, you could loosen the nut, and pull the cable to make the brake more tighten (**Fig.48**).



Fig.48

Example of front brake assembly is as (Fig.49).



4) For rear brake, insert cable head through the fixing hole at the brake side (Fig.50).



5) Put the spring at the cable head (Fig.51) .



6) Loosen the fixing nut, if necessary, you can remove the nut (Fig.52) .



7) Insert cable head through the hole of at the bolt (Fig.53).



8) Press and hold the rear brake lever forward, at the same time, tighten the nut firmly (Fig.54). Example of rear brake assembly is as (Fig.55). After adjust the brake, clip the wire cap at the brake cable end.



Fig.54

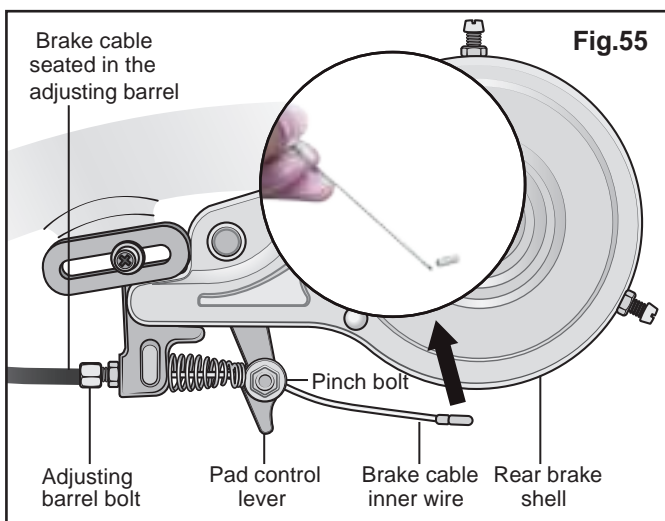


Fig.55

9) Lightly loosening the barrel bolt at rear side and brake handle, to make a perfect brake performance (Fig.56).



Fig.56

10) If still not brake the tire, try to loosen the nut which fixed cable head a little. And pull the brake lever further, and then close the nut. Repeat the step 9) again.

15. Assemble the Fender Brace

Parts: Fender brace (part no.11)

Tools: Phillips Head screwdriver

The hardware comes attached to the main frame.

1) Remove the screw at the main frame kit. (Fig.57)



Fig.57

2) Assemble the fender brace on the main frame kit, and fixed the screw back (Fig.58).



Fig.58

16. Assemble the Wire Basket

Parts: Basket (part no.9), Basket fixing plate (part no.23)

Tools: 12mm & 13 mm open-end wrench

⚠ WARNING

Failure to securely attach the basket to the bicycle may cause the basket to fall off and cause an accident resulting in serious injury or death. Always make sure the basket is secured before riding.

DO NOT carry children or pets in the basket.

1) Unfold the front and back wire side panels up (**Fig.59**).



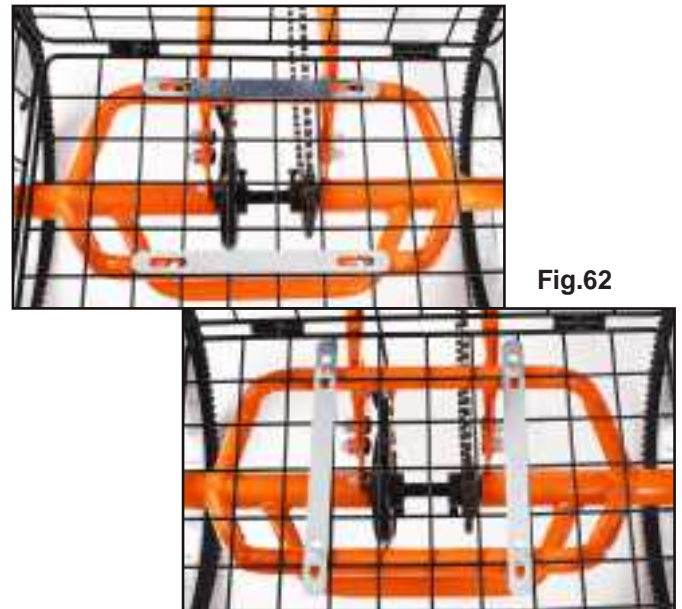
2) Insert the fixing sleeve at two corners of basket. Press hard and fix it by the small lock from another side (**Fig.60**).



3) Remove the bolt and nut at the rear frame (**Fig.61**).



4) Place the basket on the rear frame. Put the pressing plate on it (**Fig.62**). The pressing plate could be assembled at vertical or horizontally direction, which according to you using custom.



5) Re-mount the bolt and nut, that go through the pressing plate, wire basket and hole at the frame. And the tighten four bolts (**Fig.63**).



17. Assemble the Battery Box

Parts: Battery box (part no.14)

Tools: Phillips Head screwdriver

- 1) Assemble the battery box at fork under the seat (Fig.64).



- 2) Tighten the battery box by screws or cable tie (Fig.65).



- 3) Connect the cable of battery box, align the arrow at cable head (Fig.63). And then close the cable cap.



18. Connect the Cables

Parts: Front shaft cover (part no.21)

- 1) The protection cover is already assembled in the motor cable (Fig.67).



- 2) Put the cover on both sides of the shaft of motor (Fig.68).



- 3) Connect the cable of motor, align the arrow at cable head (Fig.69).



- 4) Connect the five color cables, according the color **(Fig.70)**.
Green to green, which is the accelerator function.
Red to red, which is the brake function. You could randomly connect each, it will not affect the function.
Yellow to yellow, which is the LED power.
Blue to blue, which is the LED controller.



- 5) Connect the cable of torque sensor **(Fig.71)**.
The torque sensor was connected well and hide inside the frame before shipment. In case, you should know where get it.



- 6) Assemble the battery storage box under the battery box with Velcro.
Put the backup battery inside storage box. **(Fig.72)**.



- 7) Use the cable clip to fix the cables. **(Fig.73)**.



FEATURES

1. Brakes

Your bike includes two types of brakes: Rim brakes or linear pull brakes which operate by squeezing two brake pads against the rim surface; and drum brakes, which operate by pressing two shoes/pads against an internal rotating drum. Both can be operated by way of a handlebar mounted lever.

Brake Controls and Features

1) It's very important to your safety that you learn and remember which brake lever controls which brake on your bike. Traditionally, in the U.S. the right brake lever controls the rear brake and the left brake lever controls the front brake (**Fig.74**).

2) To check how your bike's brakes are set up, squeeze one brake lever and look to see which brake, front or rear, engages. Now do the same with the other brake lever.

Make sure that your hands can reach and squeeze the brake levers comfortably. If your hands are too small to operate the levers comfortably, consult your dealer before riding the bike. The lever reach may be adjustable; or you may need a different brake lever design.

Most rim brakes have some form of quick-release mechanism to allow the brake pads to clear the tire when a wheel is removed or reinstalled. When the brake quick release is in the open position, the brakes are inoperative. Make sure that you understand the way the brake quick release works on your bike (**Fig.75**) and check each time to make sure both brakes work correctly before you get on the bike.

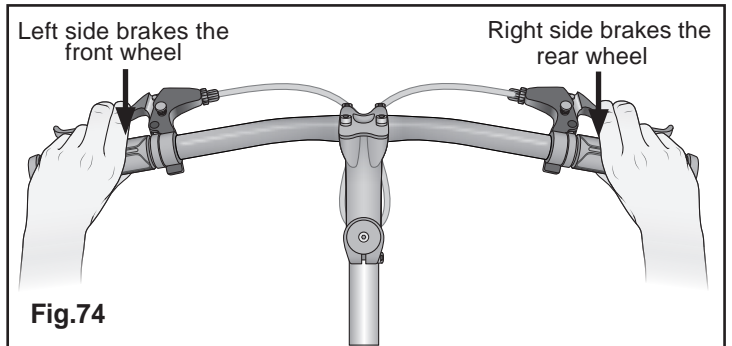


Fig.74

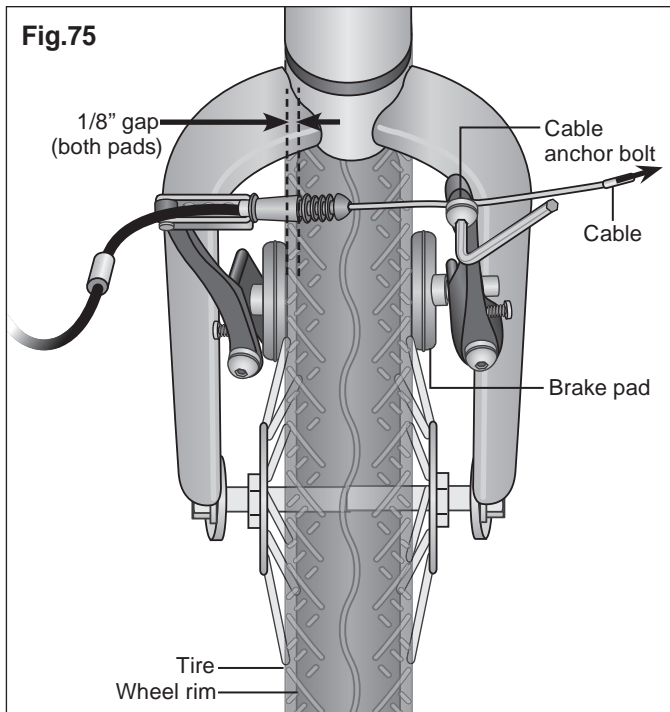
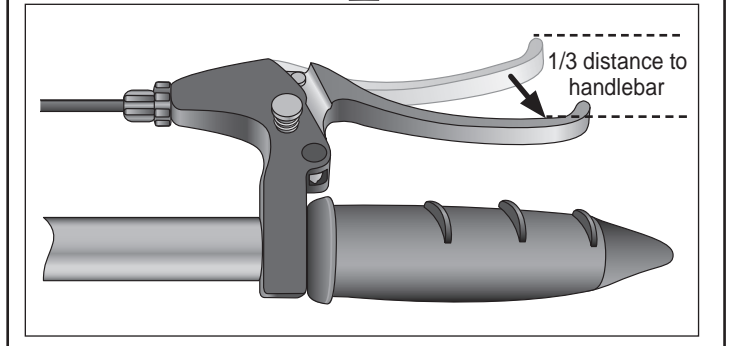
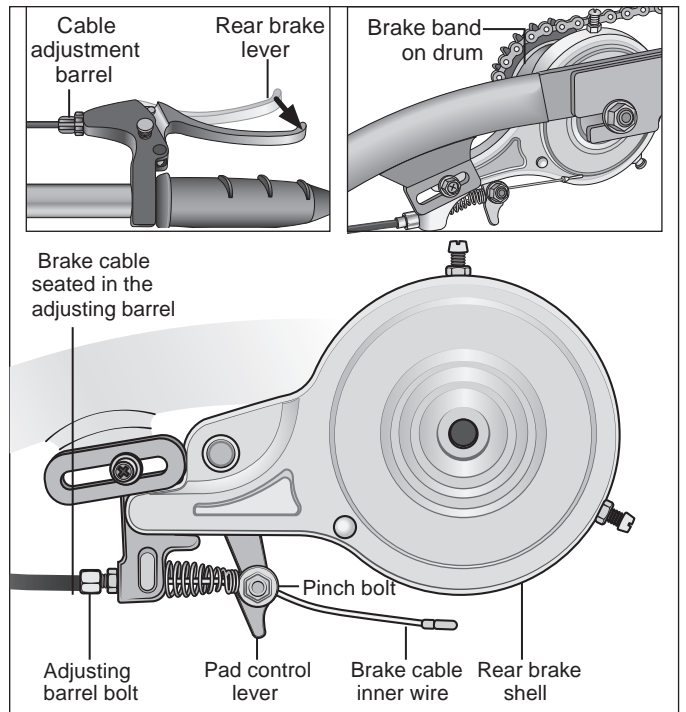


Fig.75



Scan the QR code to watch the video on how to adjust brakes.



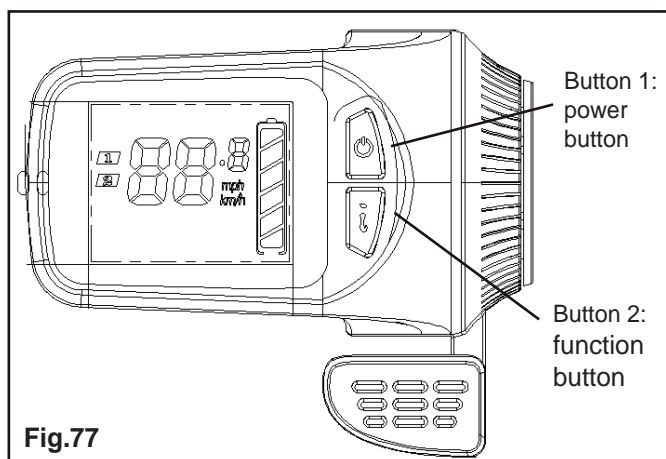
3) The brake handle has the signal cable at each. Once engaged the brake, power of motor will be cut-off (Fig.76).



2. LCD display

The LCD is at the right of handle bar. It displays Battery level, Speed level, Riding mode.

Two control knobs are at right of the LCD. Button 1 is the power button, button 2 is the function button (Fig.77).



- a) Press the power button for 2 seconds, you can power ON/OFF the tricycle.
- b) When power ON the E-Tricycle, default mode is in PAS mode. Press the function button, you can switch riding model between PAS mode and Throttle mode. Number 1 is PAS mode. Number 2 is Throttle mode.



Fig.78



- c) Press the power button and function button at same time, you can switch the speed unit between km/h and mph.

3. Riding modes

The E-Tricycle has three riding modes.

1) Normal bike mode

When you haven't switch on the power, you could ride the tricycle as a normal bike. As there is a motor at front tire, it will ride harder than normal bike.

2) PAS mode

- The E-Tricycle is assembled the Pedal Assist System (PAS). In this mode, the throttle knob is not working. You could ride it in PAS mode to make exercise easier.
- Switch on the power, the mode number is 1.
- The Electric motor is working by pedaling, the motor provides the appropriate assisted power according to the pedaling force.



Fig.79

- The Pedel Assist System, uses a torque sensor to convert the person's pedaling force into a corresponding output signal, which transfer to the electric motor to control the running power of the motor, which greatly saves energy.
- The Pedel Assist System provides the riders the feeling of riding a traditional bike, also give a solid balanced and stable acceleration and stronger climbing ability, reduce the burden on riders.
- The Pedel Assist System also tend to feel more balanced and more natural than hub-driven e-bikes.

3) Throttle mode

- Switch on the power, the mode number is 2.
- The E-Tricycle is the fully battery powered. The right throttle knob is the accelerator.
- You can ride the tricycle with throttle knob. In this mode, PAS will not work. Do not need to foot the pedal.
- The further you press the throttle knob down, the more energy you will release to the motor, the speed will be faster.

CAUTION: DO NOT make turns at high speeds or on steep inclines. Your E-Tricycle may tip over.

Fig.80



4. Light & Horn

- The control knob of Light & Horn is at the left handle.
- Yellow knob controls the horn. Press one time, horn beep.
- Red knob controls the light. Press one time, light is ON. Press again, light is OFF. To save battery life, DO NOT light on LED at daylight. Remember turn off LED when you don't use it.



Fig.81

5. Battery box

- 1) The power switch in at the side of battery box. Press once, power ON. Press again, power OFF (**Fig.82**).



Fig.82

- 2) Open the zipper, open the cover of battery box. You could insert the battery in the mounting plate (**Fig.83**).



Fig.83

OPERATION

- Just like learning to drive a car or ride a bicycle, operating any personal transportation device inherently includes risk and takes practice. Therefore, use caution as you practice operating the E-Tricycle in various situations.
- When preparing for your first ride, select an area that is flat, spacious, and away from traffic and other obstacles.
- Start driving with the lowest speed.
- Keep the speed at a reduced level until you're comfortable controlling the E-Tricycle.
- Bring a friend along to help you follow the instructions while you practice.
- The below instructions and practice steps will teach you to maneuver through doorways, on and off lifts, and up and down ramps.
- Please refer to the Overview section of this Manual for instructions.

1. Getting onto your E-Tricycle

- Stand at the side of your E-Tricycle.
- Ensure the main components are in the locked position.
- Ensure the brake is engaged.
- Make sure the battery power switch is ON.
- Make certain that the seat is secured into position.
- Position yourself comfortably and securely in the seat.
- Make certain your feet are safely on the foot pedal.

2. Operating E-Tricycle

⚠ WARNING

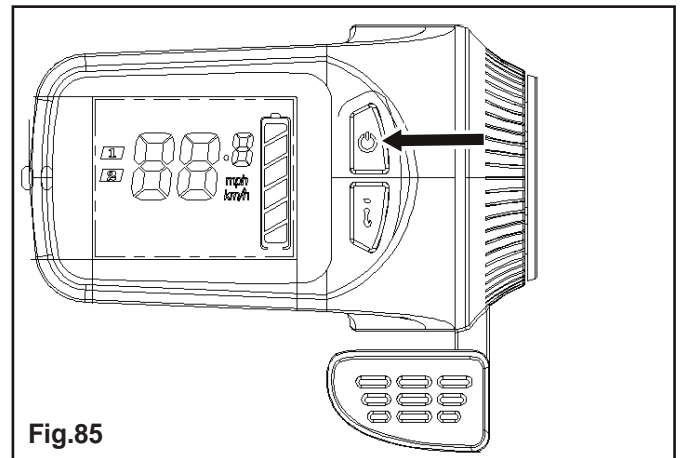
The following can adversely affect steering and stability while operating your E-Tricycle:

- Holding onto or attaching a leash to walk your pet.
- Carrying passengers (including pets).
- Hanging any article from the handle-bar.
- Towing or being pushed by another motorized vehicle.

⚠ WARNING

Keep both hands on the handle-bar and your feet on the foot pedal at all times while operating your E-Tricycle. This driving position gives you the most control over your vehicle.

1. Push on the power button at battery box and LCD.



2. Release the brake.
3. Pull the appropriate side of the handle bar grips.
4. Always start in the lower speed. Lightly press accelerator, make E-Tricycle move forward slowly, to be customized to speed of E-Tricycle before use maximum speed.
5. To go straight, move to the center position.
6. To go left, turn handle-bar left. To go right, turn handle-bar right.
7. To stop, release the accelerator and engage the brake handle.

3. Getting off your E-Tricycle

1. Bring your E-Tricycle to a complete stop.

⚠ WARNING

Never attempt to get onto or off of your E-Tricycle with it still on. This will prevent the E-Tricycle from moving if accidental press accelerator.

2. Press power button to "OFF".
3. Set the brake by engaging the handbrake lever.
4. Carefully and safely get out of the seat and stand to the side of your E-Tricycle.
5. Switch the battery power switch to OFF.

4. Turn

It is essential to slow down to a reasonably slow speed before initiating a turn. Use extreme caution when turning on slanted or uneven surfaces. Occasionally you may find yourself negotiating a curve or corner too fast and the inner rear wheel starts to lift off the ground. If this happens, immediately reduce your speed, lessen the steering angle and shift your upper body toward the wheel that is lifting off the ground.

⚠ WARNING

DO NOT make turns at high speeds or on steep inclines. Your E-Tricycle may tip over.

MAINTENANCE AND STORAGE

1. **KEEP YOUR E-Tricycle DRY:** Do not ride your E-Tricycle in wet conditions unless unavoidable. Dry off your E-Tricycle immediately.
2. **KEEP YOUR E-Tricycle CLEAN:** Remove dust and dirt from your E-Tricycle with a wrung-out, damp rag. Dry immediately. Never use solvents. Do not spray your E-Tricycle down with water or submerge it.
3. **STORAGE:** Battery performance is susceptible to temperature. Do not store your E-Tricycle in direct sunlight or in a high temperature environment like inside of your car. Store your E-Tricycle indoors, out of the elements. Room temperature is ideal for storage. Avoid storing the E-Tricycle in wet environments. Recharge the battery in full after it has been completely discharged and before storing the E-Tricycle for longer periods. Even in storage, please monitor the battery level and recharge the battery fully at least once every 8 months.

WARRANTY

Twelve (12) months for workmanship of the product, except for wearing parts. Warranty period starts from the product purchase date.

Warranty covers material quality and workmanship only. Warranty does not cover product for issues caused by improper usage or any operation not in accordance with the specifications of this manual.

Any modification or tampering with the product in any way voids the warranty.

