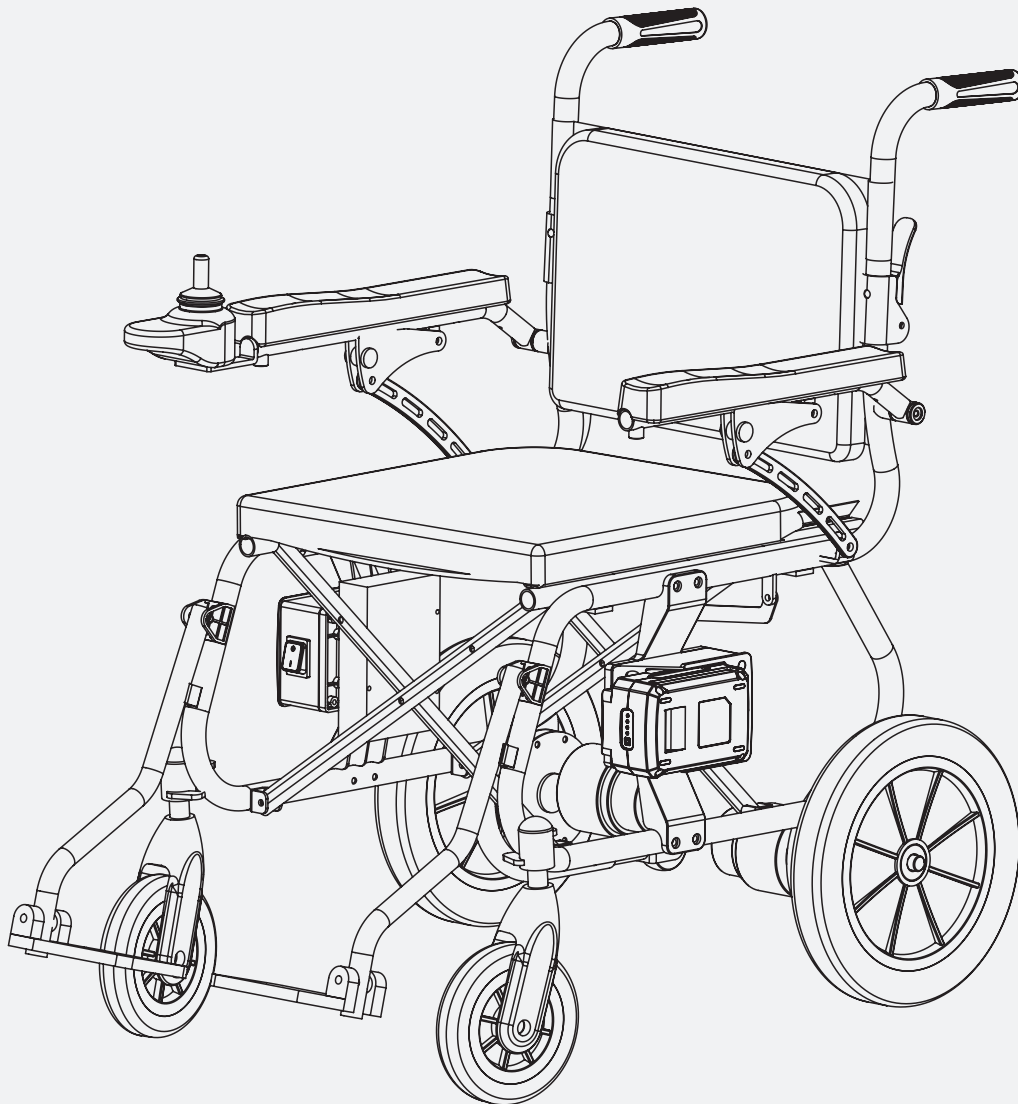


Portable Wheelchair | GUT166

Operator's Manual



Warning: Please read and thoroughly understand all instructions before operating. Failure to follow safety rules and other basic safety precautions may result in serious personal injury. Keep these instructions in a safe and easily accessible place so that they can be referred to when needed. Retain these instructions to assist in future servicing.

WARNING	1
TECHNICAL SPECIFICATIONS	1
MAIN COMPONENTS	2
SAFETY GUIDELINES	2-3
SAFETY OF USE	3-4
ASSEMBLY	4-6
BATTERY AND CHARGER	6-7
OPERATION	7-8
MAINTENANCE AND STORAGE	8-9
TROUBLE SHOOTING	9
WARRANTY	9

WARNING

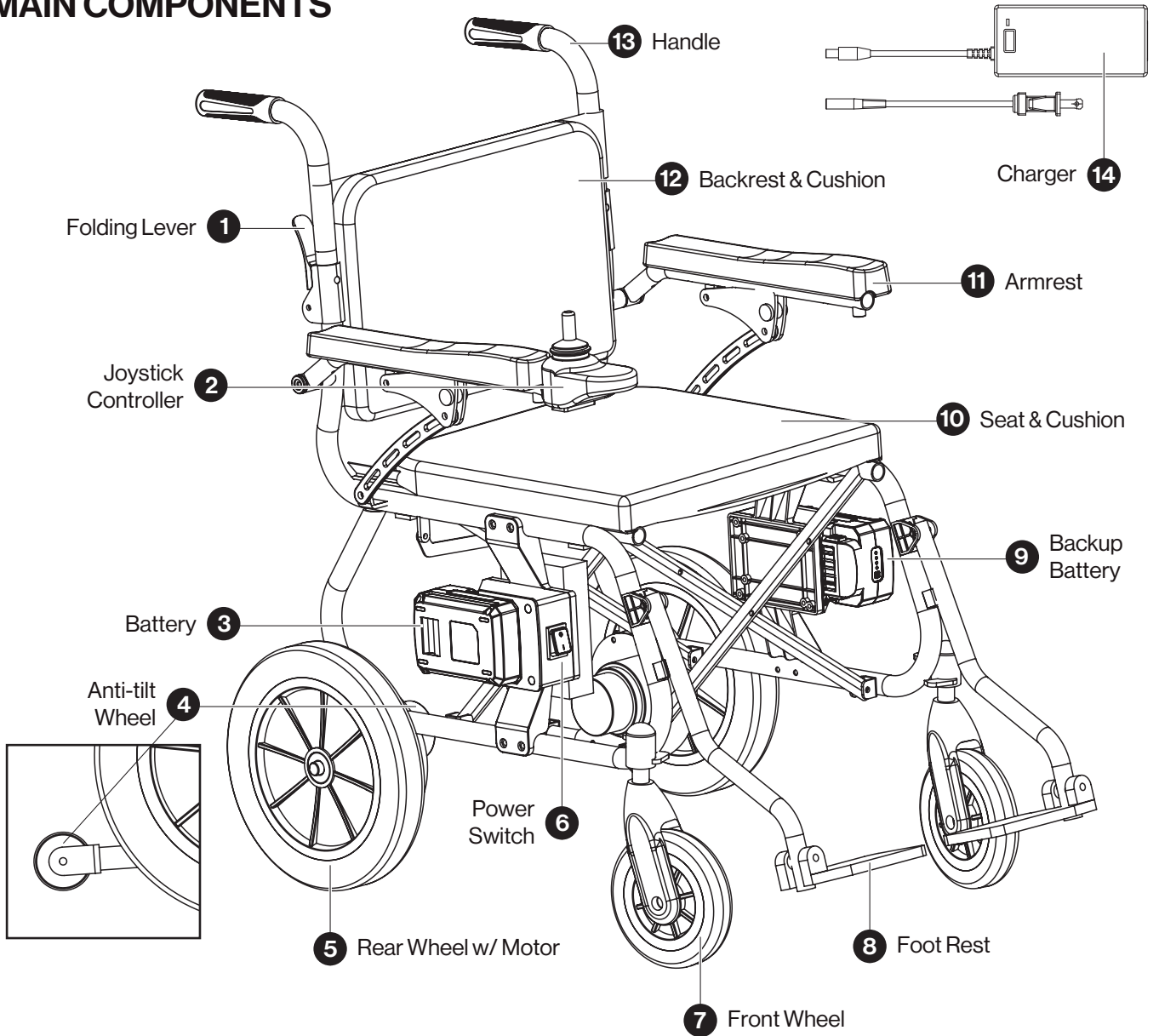
1. Please check all parts and components before use and make sure they are in good condition.
2. Inflate the tire to **Max.35PSI**. DO NOT overinflation.
3. Please consciously observe the traffic rules and drive on non-motorized lanes to ensure your safety and that of others.
4. Do not use a folding wheelchair when drunk or medicated.
5. Be sure to drive slowly and don't take people with you by wheelchair.
6. Do not disassemble batteries, motors, controllers by yourself. If you need to replace them, please purchase the original parts from the authorized agent. (Refit to use non-factory parts may cause the wheelchair to exceed the warranty.)
7. For your safety and that of others, do not use electric wheelchairs with minors, people with intellectual disabilities, pregnant women or others who are not suitable for use in electric wheelchairs.

TECHNICAL SPECIFICATIONS

SKU#	GUT166
Maximum Weight Capacity	330Lbs (150kg)
Motor power	250W x2pcs
Brake System	Electromagnetic brake
Maximum Speed	Up to 3.73Mph (6km/h)*
Theoretical Driving Distance	Up to 2mile (3.2km)* Each fully charged battery
Climbing Ability	≤ 9°
Minimum Radius of Gyration	≤39.3" (1000mm)
Seat size	18.5" width, 18.5" depth
Seat cushion size	19" width, 3" thickness, high density foam
Backrest cushion size	18" width, 2" thickness, high density foam
Battery Type	48VDC-2Ah (Lithium battery) x2pcs
Charger Input	110-240 VAC, 50/60Hz
Charging time	1.5-2.0 h
Front Wheel	7" Solid wheel
Rear Wheel	12" Pneumatic wheel (Max.35PSI)
Frame material	Aluminum
N.W. (Without battery)	40Lbs (18.2kgs)
Assembly dimension (LxWxH)	39.3"x24.6"x36.4" (1000*625*925mm)
Folded dimension (LxWxH)	29.5"x12.4"x29.3" (750*315*745mm)

* Top speed and range per charge depends on rider weight, wind speed, temperature, riding style, riding surface, battery condition, and other factors. Actual top speed and range per charge may vary.

MAIN COMPONENTS



SAFETY GUIDELINES

Please read this manual carefully before operation. Improper use may lead to self-injury, others' injury or traffic accident.

1. This manual covers the operation and assembly of the wheelchair and how to deal with any possible accidents.
2. Be sure to read this manual carefully if any of the following symbols appear.

⚠️ WARNING

Inappropriate use will result in death or serious injury.

⚠️ CAUTION

Inappropriate use will result in injury or damage.

Recommendation

Follow the rules of this manual to keep the wheelchair in good condition.

3. This manual contains the Daily Maintenance Checklist. Place this manual in place on the wheelchair.
4. If anyone else uses this car, be sure to provide this manual for reference and read it carefully.
5. Due to quality improvement or design change, the text and illustrations in this manual are slightly different from those in the actual wheelchair. We reserve the right to revise the manual. Unlike the real car, please take the real car as the standard.
6. In case of any incomprehension or inappropriateness, please contact the purchasing dealer or contact us as soon as possible.

7. Waste disposal



Electrical parts should be recycled by designated authorities according to local laws and regulations. Plastic parts, frames and pipe parts can be recycled by professional recycling units after reaching their service life.

SAFETY OF USE

Any wrong use of a wheelchair can cause harm. Careless driving may endanger your own safety as well as the safety of others. Please follow our rules and use your wheelchair wisely.

Check the condition of the tires to ensure that they are free from damage or excessive wear.

- Check all electrical components to make sure they are connected without corrosion.
- Check the brakes for proper operation.
- Check battery status to make sure the battery is fully charged.
- Sit in front of the seat and make sure the wheelchair is fully open.

1. General Driving Considerations

- Keep your hands on the armrest to control the wheelchair and make sure there are no obstacles ahead.
- Before you get used to driving, practice in a safe and spacious place such as a park.
- Practice driving in a safe place. Remember to walk, stop and spin.
- Please walk with the escort when you first leave the road, and walk in a safe condition.
- Please take a pedestrian position, observe the traffic regulations and do not look upon yourself as a driver.
- Please walk on pavement and zebra crossing. Drive on the right side of the unpaved road.
- Please drive smoothly to avoid snaking and sharp turns.
- When using pneumatic tires, maintain the specified tire pressure. Abnormal tire pressure may cause uneven driving or excessive current loss.

2. Avoid driving in the following circumstances or places. Please go with the escort.

- Drive in bad weather (rainy days, fog, strong winds, snow, etc)
- In case you get wet, wipe the water dry immediately.
- Bad road driving (muddy, snowy, sandy, broken stone, etc)
- A heavily trafficked road.
- An unfenced shoulder road, pond, etc
- Crossing the railway fork.

If you have to cross the railway, pause with the fork to make sure the left and right sides are safe, and the tracks will not get stuck on the wheels to ensure that the car and the tracks are in good condition.

This wheelchair is intended for use by a single person only. It shall not carry other persons or articles or be used as a tractor.

3. Attention on Uphill and Downhill Slopes

- Avoid steep slopes. Walk at an angle of less than 10 degrees. And please be very careful with the controls.
- Both uphill and downhill must move forward.
- Please travel at the lowest speed when you go downhill.
- Avoid going sideways or sloping on steep slopes. The walking tilt angle is about 3 degrees.
- Driving on the steps is prohibited. Also avoid crossing high steps. Be sure to cross the steps at right angles to them.
- Avoid crossing wide ditches.
- When crossing a ditch, be sure to travel at right angles to the ditch.

4. Attention of accompanying personnel



- Do not set the wheel in neutral mode during the uphill and downhill sections.
- Please call the passers-by for help immediately when the product fails at the intersection and push off the site, or evacuate personnel to a safe area.
- When used in the hospital, it cannot be used in the MRI examination room.

5. Other considerations

• Repair and transformation

If necessary, please contact customer service center, improper self-improvement may be the cause of accidents or failures.

• Environmental protection

In order to maintain the earth's environment, scrap cars or unserviceable batteries should not be discarded casually. Contact the local electric wheelchair maintenance site to exchange the old ones for new ones.

• Please keep dry

Do not place the wheelchair in a wet place, e.g. Put the wheelchair aside in the shower. Dry immediately if wet.

• Do not arbitrarily change the assembly or material of the wheelchair without our confirmation.

• Do not increase weight arbitrarily to avoid imbalance.

• When someone is sitting on the wheelchair, do not use other wheelchairs to pull or push the wheelchair.

• Please contact us immediately if there is any unusual sound.

ASSEMBLY

The electric wheelchairs can be easily opened and folded without tools.

Do not sit in a seat or drive a wheelchair until the power wheelchair is fully switched on.

Read the instructions carefully before turning on the electric wheelchair.

1. Unpacking

Take the product out of package. Check all components following the main components. If any missing, connect customer service immediately.

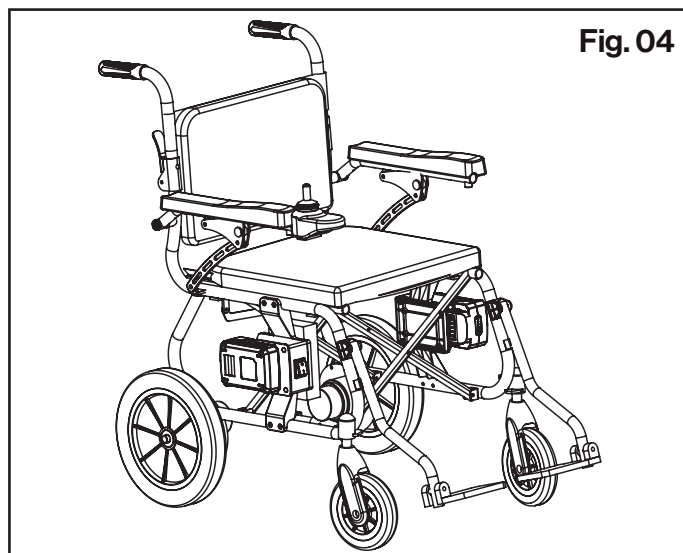
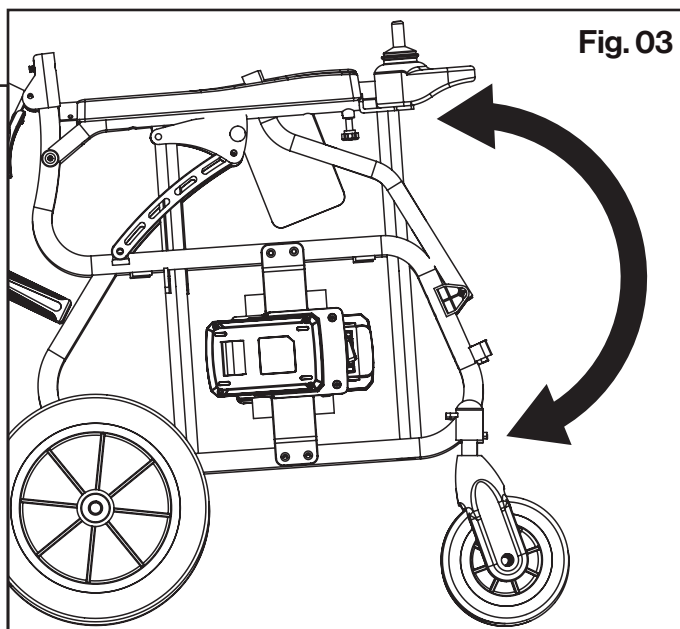
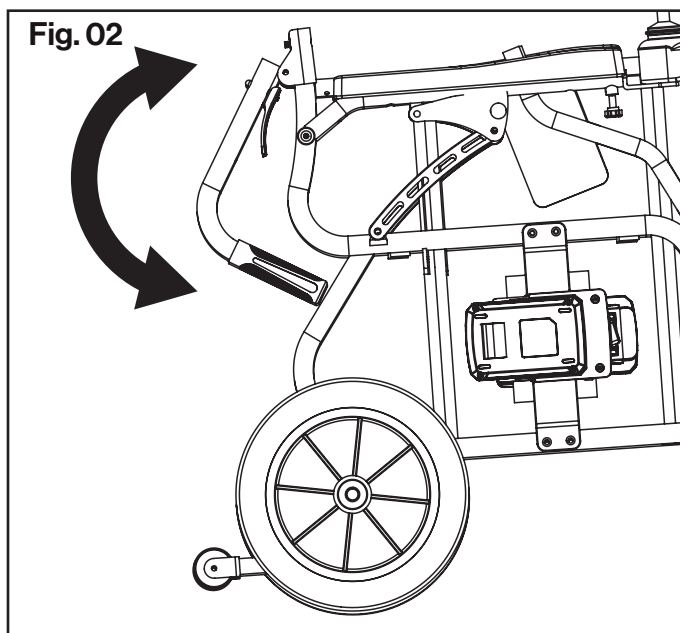
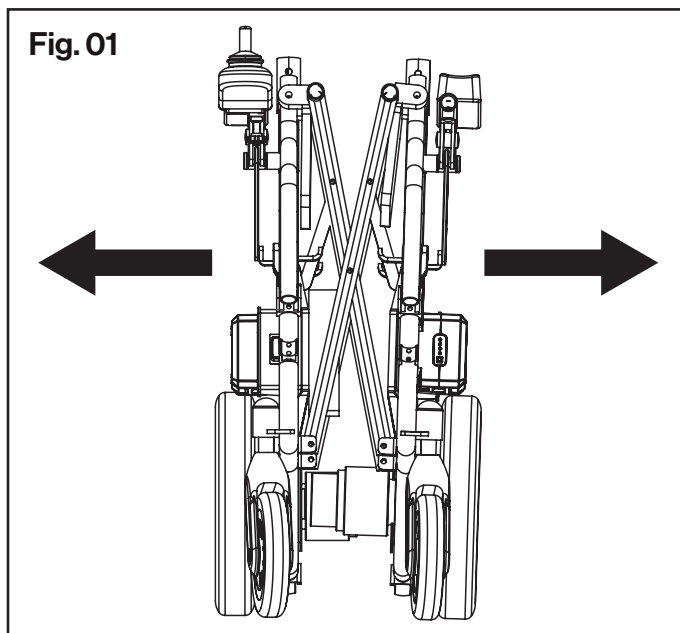
2. Taking out the wheelchair

a. Open the wheelchair to both sides until the wheelchair is fully opened (**Fig.01**).

b. Hold the handle tube of the wheelchair in both hands, lift it up until the backrest is unfolded (**Fig.02**). Make sure that the elastic pin clicks into the hole of the handle tube to ensure safe use.

c. Put down the foot rest to the locking position (**Fig.03**).

d. The electric wheelchair will be opened as follow (**Fig.04**).



3. Put the seat cushion

- The seat cushion and backrest cushion is on same cloth. The bigger cushion is the seat cushion.
- Put it on wheelchair, and close it by the Velcro.
- When you folding the wheelchair, take away the cushion will be easier to fold.

4. Installing the Joystick controller

- Insert the pipe of the Joystick controller into the fixing pipe at the lower of the right armrest pipe of the wheelchair (**Fig.05**).
- Adjust the position of controller and lock the knob. Connect the power supply cable.
- The controller also can be mounted at the left armrest. Don't forget to re-align the power supply cable to left side.

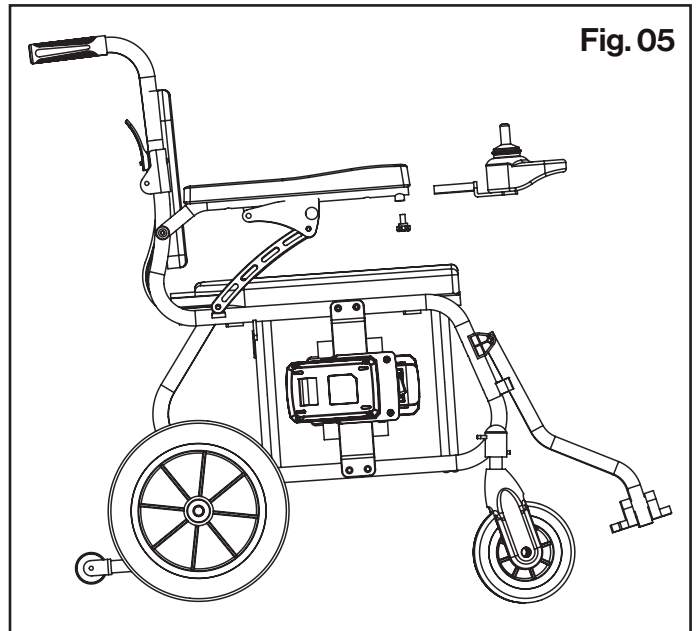


Fig. 05

5. Installation of anti-tilt wheel

- Align anti-tilt wheel with the anti-tilt pipe of the frame, insert to the frame (**Fig.06**).
- Ensure that the elastic pin go into the hole of the anti-tilt pipe, try to pull out the anti-tilt pipe to ensure the anti-tilt wheel installed securely.

Wheelchair is equipped with anti-tilt wheels to prevent wheelchair from tilting in emergency situations. These anti-tilt wheels are non-removable when in use.

WARNING

Do not drive a wheelchair after the anti-tilt wheel has been removed or damaged.

WARNING

Anti-tilt wheel is only suitable for hard pavement. In case of muddy road, the anti-tilt wheel may fall into.

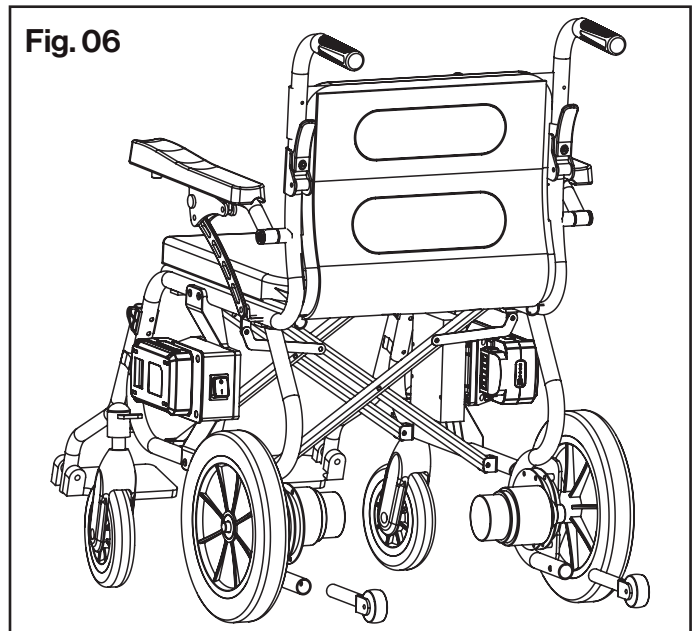
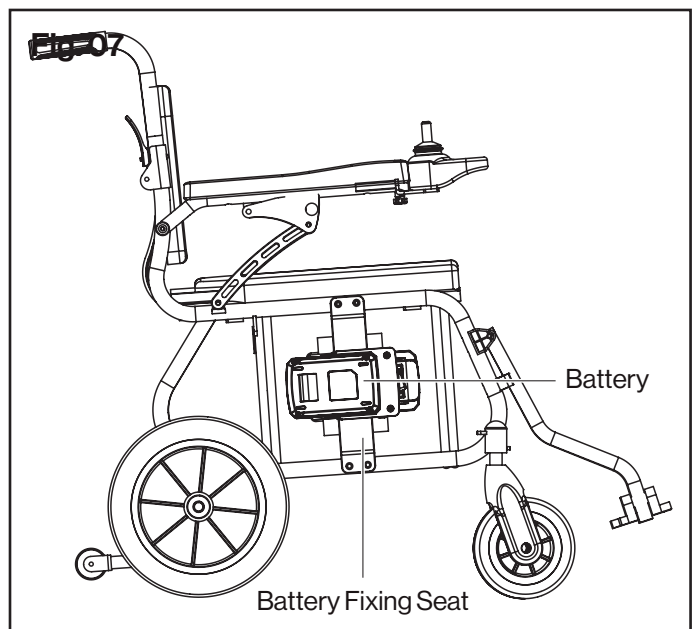


Fig. 06

6. Installation of battery

- Insert battery to the battery fixing seat, until you hear a click sound (**Fig.07**)
- If need to dismount, press and hold the release button (gray one) of battery, and then remove it.

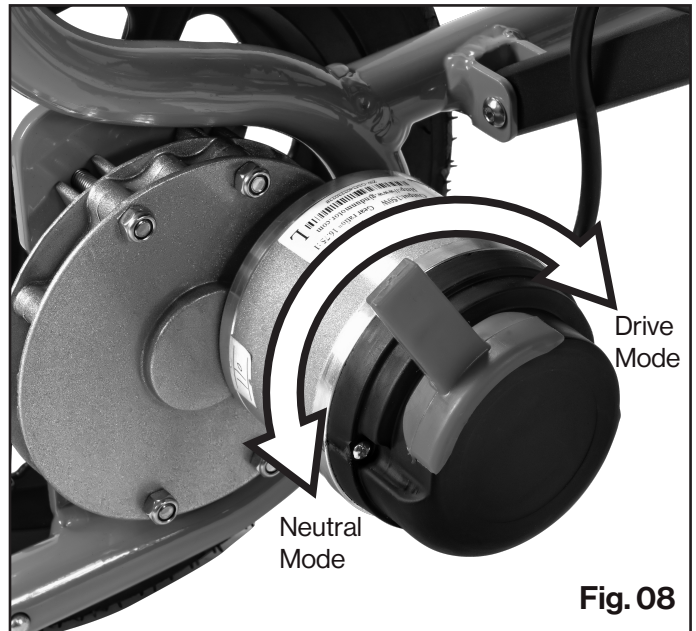


7. Manually push wheelchair (Fig.08)

- a. Wheelchair has two mode that drive mode and neutral mode. It can be switched by control the level at both motors.
- b. Push both levels **upward**, the wheelchair is in **drive mode**, you can control it by controller.
- c. Push both levels **downward**, the wheelchair is in **neutral mode**, you can push it manually.

⚠ WARNING

As the Wheelchair used the electromagnetic brake, **DO NOT stop the wheelchair at inclined slope when in neutral mode. It will result in injury.**



SAFETY INSTRUCTIONS FOR BATTERY AND CHARGER BATTERY

- 1) Battery must be fully charged before first use. Before shipping, there is only half capacity of battery. (Fig.09)
- 2) Insert the pin of charger to the middle hole of battery. Plug the charger into a 100-240 AC outlet, a red light should appear on the charger. Charge the battery until the light turns solid green.
- 3) Always charge the battery at room temperature (suggest temperature range is 32°F/0°C to 120°F /49°C). If the battery is used in a cold environment, allow it to warm up for at least an hour before charging. Cold batteries will not be charged completely and battery components may be damaged.
- 4) Only charge battery in well ventilated area away from flammable materials such as cloth or carpeting.
- 5) To disconnect charger, remove the plug from outlet, then disconnect the charger from the battery.
- 6) DO NOT leave the charger being connected to the battery for more than 24 hours.
- 7) The battery status indicator is mounted on the top of the battery to allow you to observe the level of the battery power while in use. To check the charge level, simply press the indicator button. The lights on the status indicator show the charge level of the battery.
 - a) One LED (one red): 0-30% battery capacity;
 - b) Two LEDs (one red, one green): 30%-60% battery capacity;
 - c) Three LEDs (one red, two green): 60%-80% battery capacity;
 - d) Four LEDs (one red, three green): 80%-100% battery capacity.
- 8) If battery becomes warm or hot during charging procedure, disconnect it from charger. Allow battery to return to room temperature, and attempt to charge again. If this persists a second time, disconnect battery from charger and contact customer service.
- 9) Battery Maintenance Responsibility: Fully charge and discharge the battery at least once every 8 months to maintain battery's health.
- 10) Store the battery on a full charge.
- 11) When battery pack is not in use, keep it away from other metal objects like paper clips, coins, keys, nails, screws, or other small metal objects that can make a connection from one terminal to another. Shorting the battery terminals together may cause burns or fire.

Fig. 09



CHARGER

- 1) **The battery is charging when the LED light on the charger is red. When the battery is 100% charged, the light on the charger will turn solid green.**
- 2) The provided charger has a built-in overcharge protection to prevent the battery from being overcharged.
- 3) Charging time is approximately 1.5-2 hours for a fully discharged battery.
- 4) Regularly inspect the charger for damage to the cord, plug, enclosure and other parts. In the event of such damage, the charger must not be used until it has been repaired or replaced.
- 5) Unplug the charger from the wall outlet when not in use. **As a safety mechanism, when the charger stops charging because the battery is full, the charger must be reset by unplugging it from the wall outlet before it will resume charging.**
- 6) **Use only the charger supplied by recommended replacement specified by manufacturer. Failure to confirm compatibility, properly install, operate and maintain any charger, component or accessory can result in serious injury or death.**

OPERATION

1. Introduction of Joystick controller



2. Power On/Off

- a. Switch on the power at battery box.
- b. **Press on the power switch button for 3-5 seconds**, the speed indicator light and the battery indicator light will turn on, and you hear the buzzer make a "beep" sound. The Joystick is powered on normally.
- c. **Press on the power switch button once**, all LED lights on the panel will turn off, and the Joystick will be powered off.

3. Adjustment of Driving Speed

- a. According to different user habits and environments, users can adjust the maximum speed of the electric wheelchair.
- b. Press speed increase/decrease button to adjust the speed.
- c. The selected speed will be displayed on the speed indicator light.
- d. The speed is divided into five gears:
 - First speed is 1.25MPH (2km/h,)
 - Second speed is 1.87MPH (3km/h)
 - Third speed is 2.5MPH (4km/h)
 - Fourth speed is 3.12MPH (5km/h)
 - Fifth speed is 3.75MPH (6km/h)

4. Use of Horn

Press on the horn button and the horn will sound.

5. Mute Function

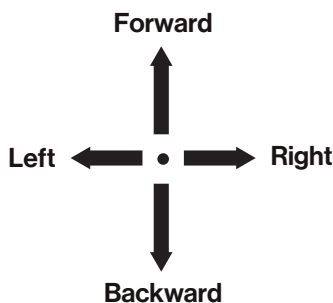
Press the mute button on the controller to silence the sound. Press it again to resume sound operation.

6. Battery Indicator

- a. The battery indicator light will be light once the power of the electric wheelchair has been turned on.
- b. It also displays the predicted value of the remaining battery capacitor.
- c. When all LED lights are on, it indicates that the battery is fully charged.
- d. When only a yellow and a red LED light up, it indicates that the battery needs to be charged.
- e. When only the red LED light is on, it indicates that the battery level is extremely low. It must be charged as soon as possible.
- f. Before long-distance driving, it is best to charge it for full. Also charge the backup battery for preparation.

7. Operate the Joystick

- a. The direction of movement of the Joystick can guide the moving direction of the electric wheelchair.
- b. The movement amplitude of the Joystick will determine the speed of the electric wheelchair in that direction.
 - Push Joystick forward: driving the electric wheelchair forward.
 - Push Joystick backward: driving the electric wheelchair backward.
 - Push Joystick left: turning the electric wheelchair to left.
 - Push Joystick right: turning the electric wheelchair to right.



MAINTENANCE AND STORAGE

Wheelchair maintenance

Users' wheelchair maintenance includes cleaning, checking tires, battery and charger. We recommend that the wheelchair will be inspected every six months.

Cleaning wheelchairs and tires, battery maintenance

- a. Cleaning wheelchair: Wipe the surface of the wheelchair with a spray of wax polish or a clean soft cloth.
- b. Tires: Check the wear condition of the pneumatic tire regularly and replace the tire when the tread depth is less than 1 mm.
- c. Battery: Make sure that the battery is rechargeable regularly. To save battery life, we recommend that customer should not use the battery to completely dead and then recharged.

Wheelchair Damage and Self-inspection

When the wheelchair fails during use, please check the wheelchair after switch off the power. Symptoms: Complete loss of power and the lights on the controller disappear.

Check steps as follows:

- a. Check if controller plug connection is loosening.
- b. Check if the plug on the left controller of the battery case is loose. Re-plug in the connector if necessary.
- c. If the power supply cannot be restored after the above steps, please contact the customer service immediately.

Maintenance inspection

Below is a checklist of wheelchairs. Please check the wheelchairs as often as suggested below. Some of these checks are carried out every time when you are in or out of the wheelchair.

A	Check each item for proper placement:	B	Check the following items every month to avoid improper looseness or wear of the components.
	1. Back rest.		1. No screws loose.
	2. Hand rest.		2. Automatic braking working.
	3. Control device.		3. Front and rear wheel components and tire tread depth.
	4. Foot rest.		4. Charger and controller connector.
	5. Power supply status on the controller.		
	6. Anti-tilting wheels.		
C	For your safety, please make sure to conduct a comprehensive maintenance and inspection for the wheelchair every six months.		

TROUBLE SHOOTING

Diagnostic Sound	Possible Cause	Solution
One long-voiced.	Motor communication failure.	Change motor.
One long-voiced and One short-voiced.	Hall sensor failure.	Change motor.
One long-voiced and Three short-voiced.	Lower voltage from battery.	Charging battery.
One long-voiced and Four short-voiced.	Joystick failure.	Check the wire connection of Joystick. Change Joystick.
One long-voiced and Five short-voiced.	Electromagnetic brake failure.	Check the level of Electromagnetic brake is on driving mode. Check the wire connection of motor. Change motor.
One long-voiced and Six short-voiced.	Joystick communication failure.	Check the wire connection of Joystick. Check the wire connection of controller. Change Joystick.
One long-voiced and Seven short-voiced.	Joystick parameter failure.	Check the wire connection of Joystick. Check the wire connection of controller. Change Joystick.

WARRANTY

Twelve (12) months for workmanship of the product, except for wearing parts. Warranty period starts from the product purchase date. Warranty covers material quality and workmanship only. Warranty does not cover product for issues caused by improper usage or any operation not in accordance with the specifications of this manual. Any modification or tampering with the product in any way voids the warranty.

Warranty not applicable

Use loss or discomfort due to change over time (coating surface, plating surface, natural fading and deterioration of resin, etc.).

Use different methods of operation and overload (overload, load capacity, etc.) than those shown in the operating instructions, etc.

External factors such as soot, medicine, guano, acid rain, flying stone, metal powder, etc. Natural disasters such as typhoons, floods, fires, earthquakes, etc.