



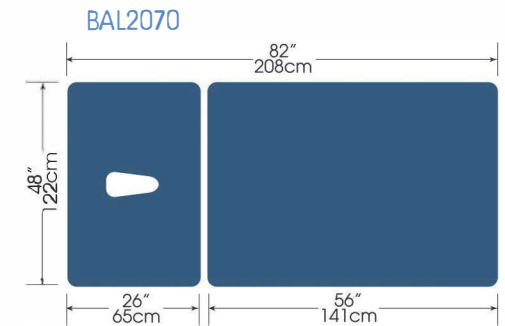
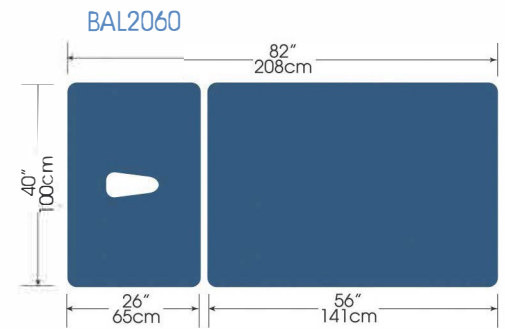
# BALANCE CANYON BO-BATH MODEL BAL2060 & BAL2070

Stonehaven Medical's Balance Canyon Bo-Bath Model 2060 & 2070 are designed much wider than most of our Hi Low Treatment tables for greater interactive exercises between the patient and practitioner. They have a weight capacity of 500 lbs. The Canyon BAL2060 Bo-Bath is 40" wide (100cm), while the Noble BAL2070 is 48" wide (122cm), and both are available in single section design, one piece cushion (OS).

ADA Compliant  
(Qualifies for Tax Credits)

## SPECIFICATIONS

- Provided with Dual Foot pedals or Hand Control that operate each Actuator (Motors). One set of Foot pedals for articulation of the head section and the other for table height adjustment.
- FDA/CSA/CE listed with hospital grade electrical cord and 3 prong plug.
- Frame designed for patient assist lift accessibility for ease of patient transfer.
- ADA Compliant (see IRS, Section 44 or tax consultant regarding tax credit allowance)



## OPTIONS

- Foam Memory Face Pad (FMP)
- Hydraulic Elevation Pump (HP)
- One (1) Section (OS)



\*note special order  
We reserve the right to modify designs without prior notice.

