

vive®

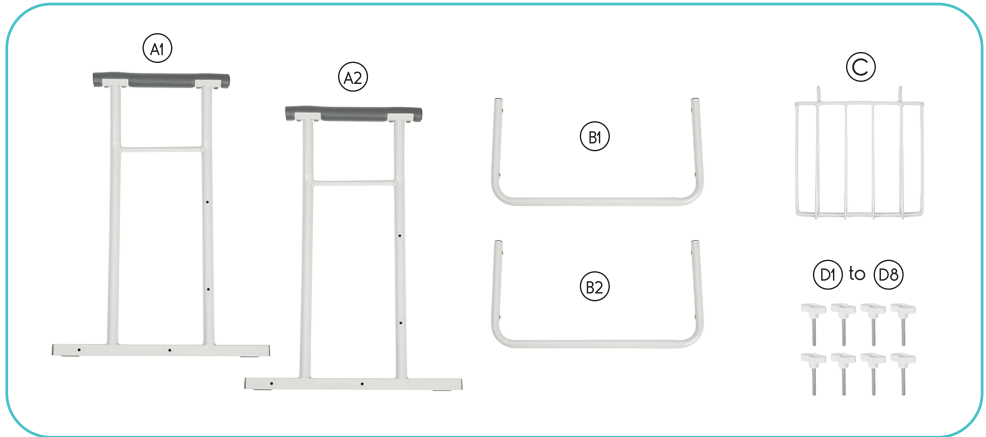


# STAND ALONE TOILET RAIL

Owner's Manual  
LVA1023

## WHAT'S INCLUDED

- Ⓐ 2x Frames with Armrests (A1-A2)
- Ⓑ 2x U-Shape Support Bars (B1-B2)
- Ⓒ 1x Magazine Basket
- Ⓓ 8x Hand Knob Screws (D1-D8)



## OVERVIEW

We are constantly answering questions and recording helpful videos to make using your Vive Stand Alone Toilet Rail as easy as possible. Throughout the manual we will include QR codes and links to important videos that you can visit to help you.

## ASSEMBLY INSTRUCTIONS

No Tools Required! 

1. Attach (B1) U-Shaped Support Bar to the base of frame with (A1) Armrest using 2 (D) Hand Knob Screws. Ensure the exposed screwholes on the vertical section of (A1) are closest to you, and the curves of (B1) are closer to the center of (A1)'s base.



2. Attach the other frame with (A2) Armrest to the other side of the (B1) U-Shape Support Bar. Fasten with 2 (D) Hand Knob Screws.
3. Attach the other (B2) U-Shaped Support Bar to the exposed screwholes on the vertical section of (A1) using 2 (D) Hand Knob Screws, with (B2)'s curves down toward the ground.



4. Attach optional © Magazine Basket to either side of the frame with armrest.



## INSTALLATION INSTRUCTIONS

Once fully assembled, position the product up against the toilet so the center supports are wrapping around the base of the toilet. The armrests are located on either side for support when sitting and standing up.

## FAQ

**Q: Is the height adjustable?**

**A:** No, the rail size is fixed and cannot be adjusted.

**Q: Can I use it in the shower?**

**A:** Yes, the rail can be used as a standing assist in the shower. Please ensure that the rail is resting flat and level on the shower floor.

## SPECIFICATIONS

- Width: 26.5"
- Height: 25.5"
- Depth: 19"
- Width Between Armrests: 21"
- Product Weight: 9 LBS
- Max User Weight: 300 LBS

## WARNING

- Check periodically to make sure all fixings are tight and secure before every use.