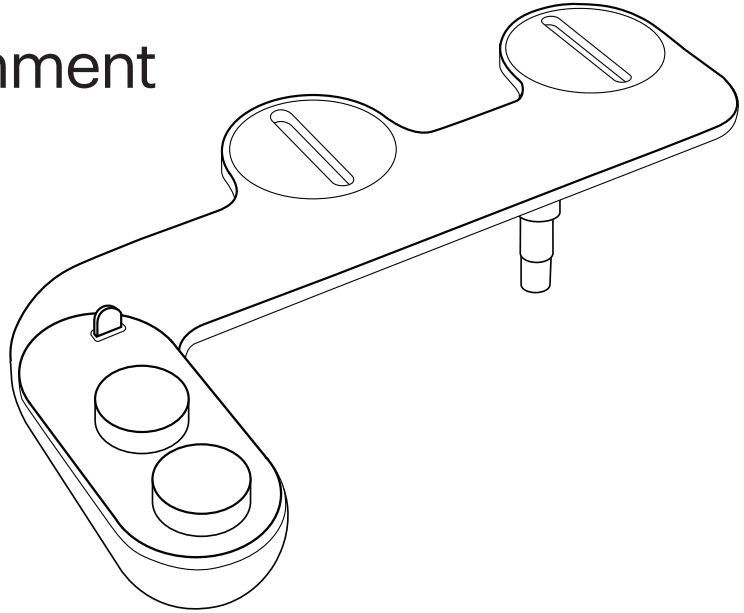


Brondell®

SimpleSpa Eco Advanced Bidet Attachment with Single Nozzle

Model: SSE-25



Features

Made with 65% recycled plastic

Side-arm control panel with aluminum knobs and easy nozzle adjuster

Adjustable nozzle position for front and rear washes

Self-cleaning, retractable nozzle

Fully adjustable water temperature and pressure

All-metal $\frac{1}{8}$ " T-Valve

Braided-metal cold water hose

High temperature hot water flex tubing

All-metal $\frac{1}{8}$ " T-Valve

1-year limited warranty

Technical Specifications

| | |
|------------------------------------|---|
| Dimensions (L x W x H) | 15.43" x 9.96" x 3.33" / 39.2 cm x 25.3 cm x 8.45 cm |
| Product Thickness | 0.33" / 0.85 cm |
| Weight | 1.71 lb / 0.76 kg |
| Supply Water Pressure | .725 psi-116.03 psi / 0.05 MPa - 0.8MPa |
| Incoming Water Temperature Range | Cold Water Inlet: 34°F-95°F / 1°C-35°C Hot Water Inlet: 34°-140°F / 1°C-60°C |
| Flow Rate | 0.39 gal/min / 1.47 L/min at 0.3MPa |
| Internal Valve Material | Brass, PA66, 50%GF, SiO ₂ , EPDM |
| Internal Valve Type | Ceramic |
| Bidet Hose Length | 23.62"/60cm |
| Bidet Hose Fitting/Connection Size | $\frac{3}{8}$ " x $\frac{3}{8}$ " |
| Cold Water T-Valve Connection Size | $\frac{1}{8}$ " x $\frac{7}{8}$ " x $\frac{3}{8}$ " |
| Hot Water T-Valve Connection Size | $\frac{3}{8}$ " x $\frac{3}{8}$ " x $\frac{3}{8}$ " |

Brondell®
Feels better already.

NOTE: The specifications listed above are subject to change without prior notice for reasons of improving the product performance.

#22SSE25_1227