

Spreader Bars

Spreader bars for all lifting purposes

Primary application
Home care
Nursing homes
Hospital

A complete range of spreader bars in various sizes and models to suit all care needs and transfer situations. All spreader bars are equipped with patented sling hook system.

The two point spreader bar is best suitable for a standard transfer where the client is of a normal stature. It is available in 3 widths.

Where clients are larger in stature it is more suitable to use the unique V shaped 3-point spreader bar, which increases the distance between the shoulder strap section and the leg strap section, opening up the sling for a more comfortable lift. Also clients of normal stature will benefit from the supportive advantages of the 3 point spreader bar.

Transferring bariatric clients will require using our 4-point spreader bar which, when combined with the correct sling model and size, will benefit these large clients providing them with the proper support and comfort.

Key standard functions

- Extensive range for specific and general use
- Patented sling hooks on all spreader bars
- Easily interchangeable to allow for multiple use
- Can be used on both mobile lifters and ceiling hoists





2-point spreader bar for strap on BestLift Luna overhead lift.



3-point spreader bar mounted on mobile lift.



4-point spreader bar mounted on BestLift Luna.



Spreader bar for bayonet on BestLift Luna. Spring loaded locking mechanism. To mount and dismount: Push in, Turn, Release.

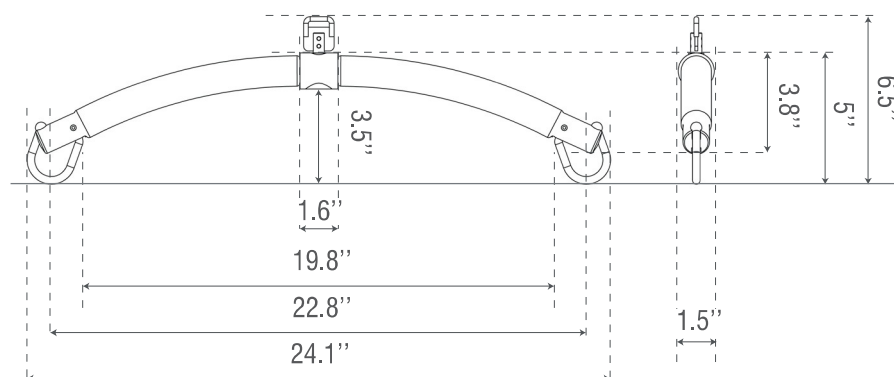
PRODUCT HIGHLIGHTS

- Can accommodate standard and bariatric lifting situations
- Modular to achieve multi flexibility
- Patented safety system on hooks
- Extensive sling range to accommodate varying client needs

Version	Item-number
2-point spreader bar	please contact Bestcare
3-point spreader bar	please contact Bestcare
4-point spreader bar	please contact Bestcare
Straight spreader bar	please contact Bestcare
Spreader bar for bayonet	please contact Bestcare
Spreader bar for strap	please contact Bestcare
<i>many other types available</i>	please contact Bestcare

TECHNICAL SPECIFICATION

Width 14.2" / 18.9" / 22.8"
 Height 6.5"
 Diameter \varnothing 1.5"



Drawing refers to a Standard 2-point spreader bar 22.8"

Consult the Technical manual for further specifications. All figures and measurements are for guidance only and may differ in actual situations. Bestcare reserves the right to make changes without notice.

Product photos may include accessories. Consult your dealer.