

# (((SLEEQ)))™

spinal • therapy • system

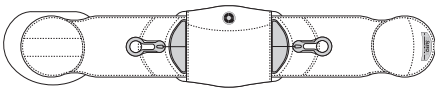
## INSTRUCTIONS FOR USE

The SLEEQ™ Spinal Therapy System line of lumbo-sacral orthoses support and stabilize the lumbo-sacral region of the spine for pain management, nonoperative, and operative treatments.

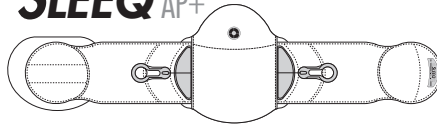
**READ ALL INSTRUCTIONS BEFORE USE.** This *Instructions for Use* is provided as a guideline only. For existing medical conditions, consult a physician or qualified healthcare professional prior to use. Severe or persistent pain may be an indication of a serious medical condition. Consult a physician if you experience such symptoms. Pregnant, pre and post surgery patients should use this product only as directed by a physician or qualified healthcare professional.

## FEATURES & TERMS

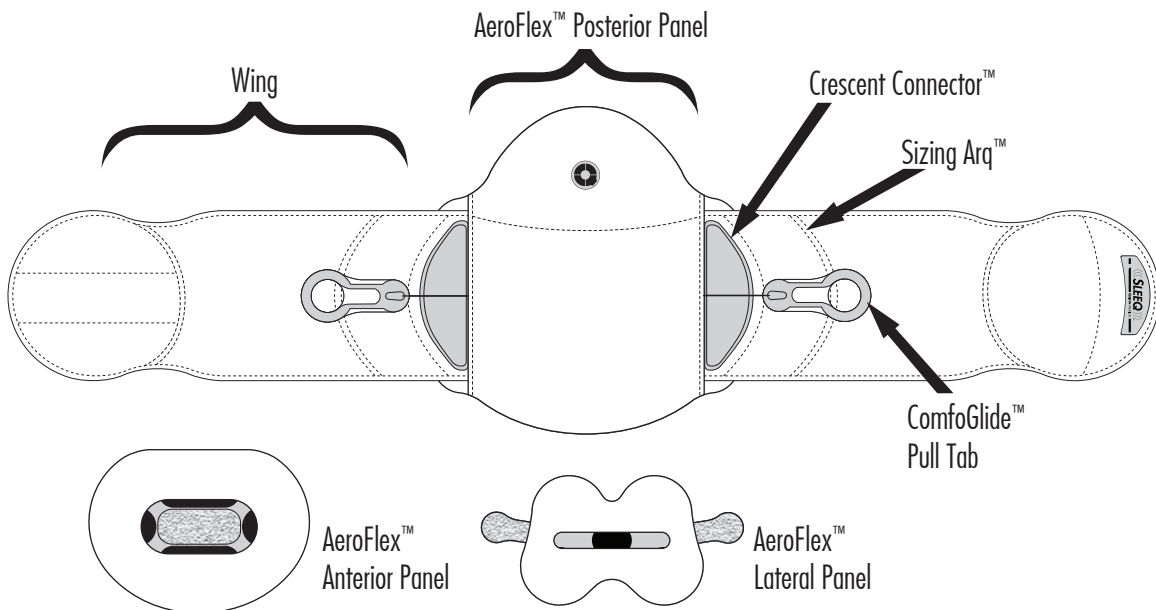
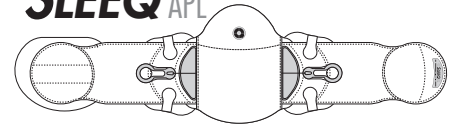
**SLEEQ**<sup>AP</sup>



**SLEEQ**<sup>AP+</sup>



**SLEEQ**<sup>APL</sup>



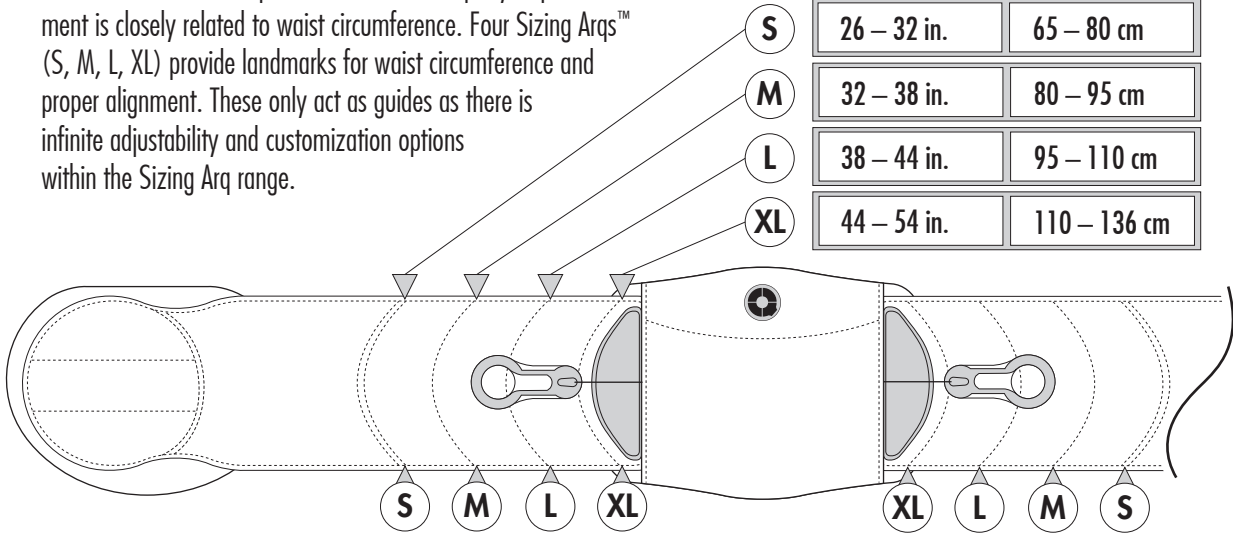
### Mission

Quinn Medical improves lives with the world's finest non-invasive orthopedic products and programs designed to prevent injury, relieve pain, and restore function. Simply stated: we help people get *Back in Motion*™.

## Measure

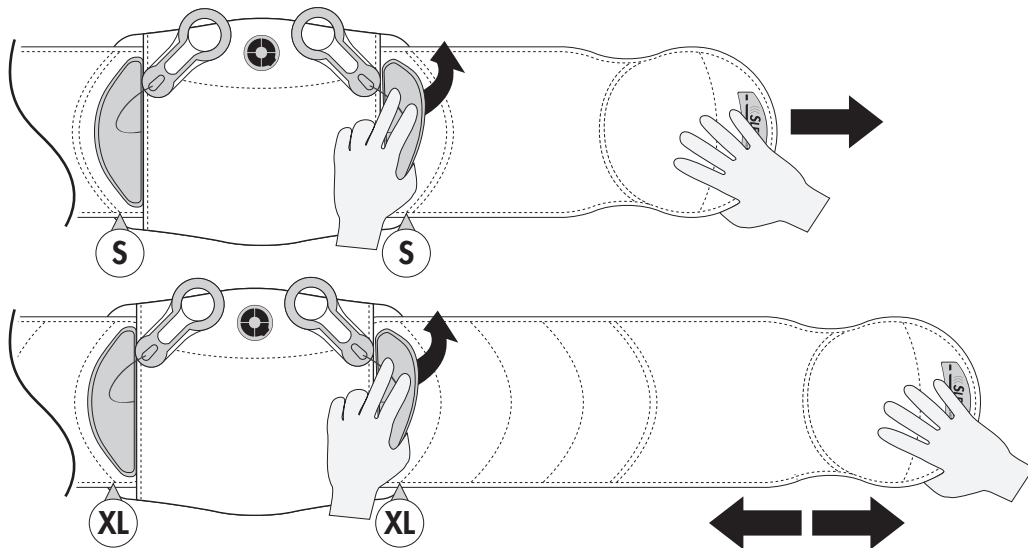
Each SLEEQ™ model adjusts to fit the vast majority of patients. Measurement is closely related to waist circumference. Four Sizing Arqs™ (S, M, L, XL) provide landmarks for waist circumference and proper alignment. These only act as guides as there is infinite adjustability and customization options within the Sizing Arq range.

Waist Circumference	
26 – 32 in.	65 – 80 cm
32 – 38 in.	80 – 95 cm
38 – 44 in.	95 – 110 cm
44 – 54 in.	110 – 136 cm



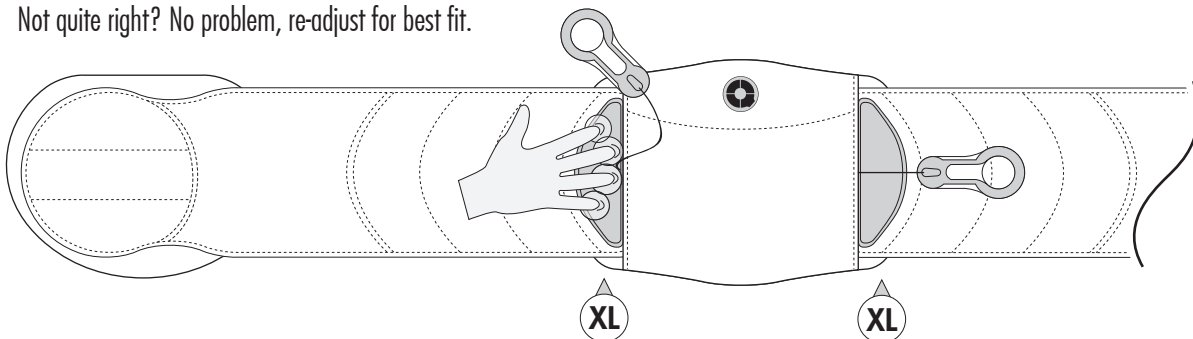
## Adjust

Move both wings in or out to desired size. Align Crescent Connectors to appropriate Sizing Arqs.



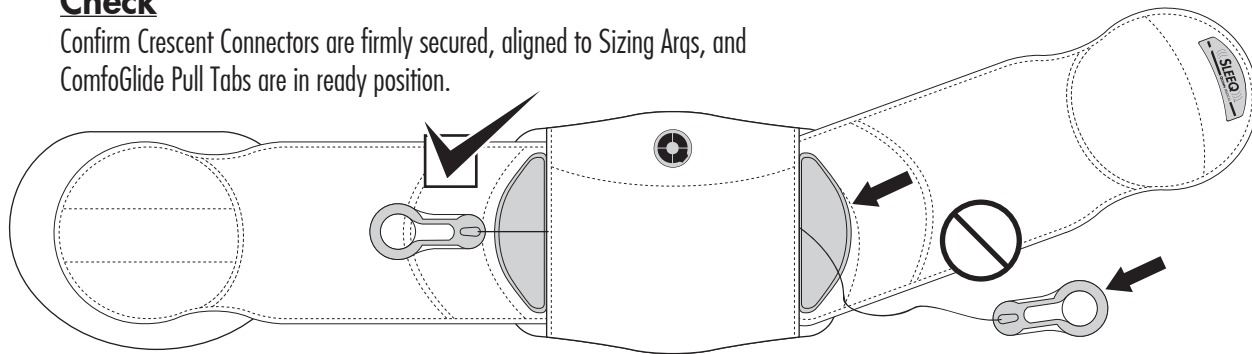
## Secure

Firmly secure both Crescent Connectors to each wing. Return ComfoGlide Pull Tabs to ready position. Not quite right? No problem, re-adjust for best fit.

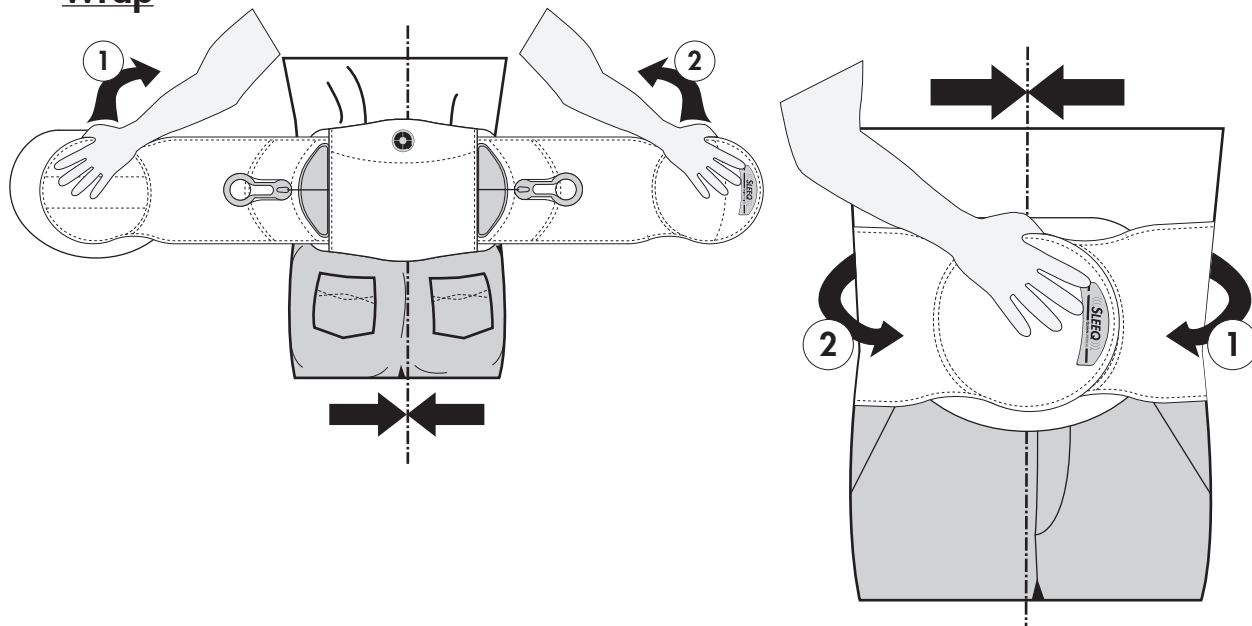


## Check

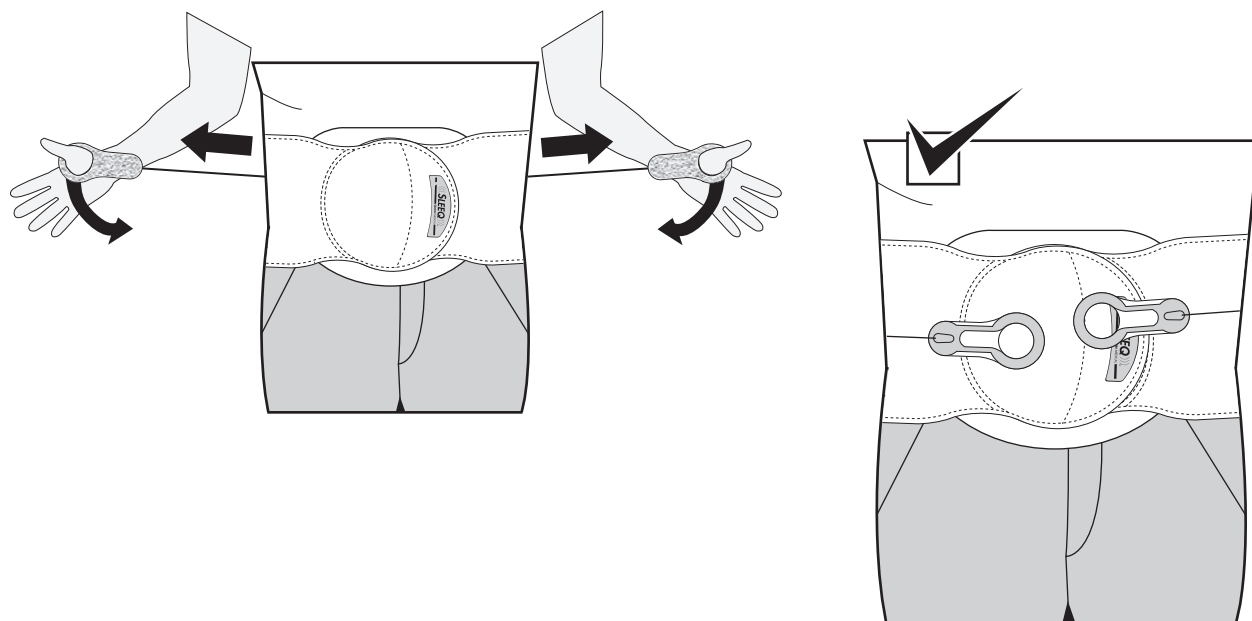
Confirm Crescent Connectors are firmly secured, aligned to Sizing Arqs, and ComfoGlide Pull Tabs are in ready position.

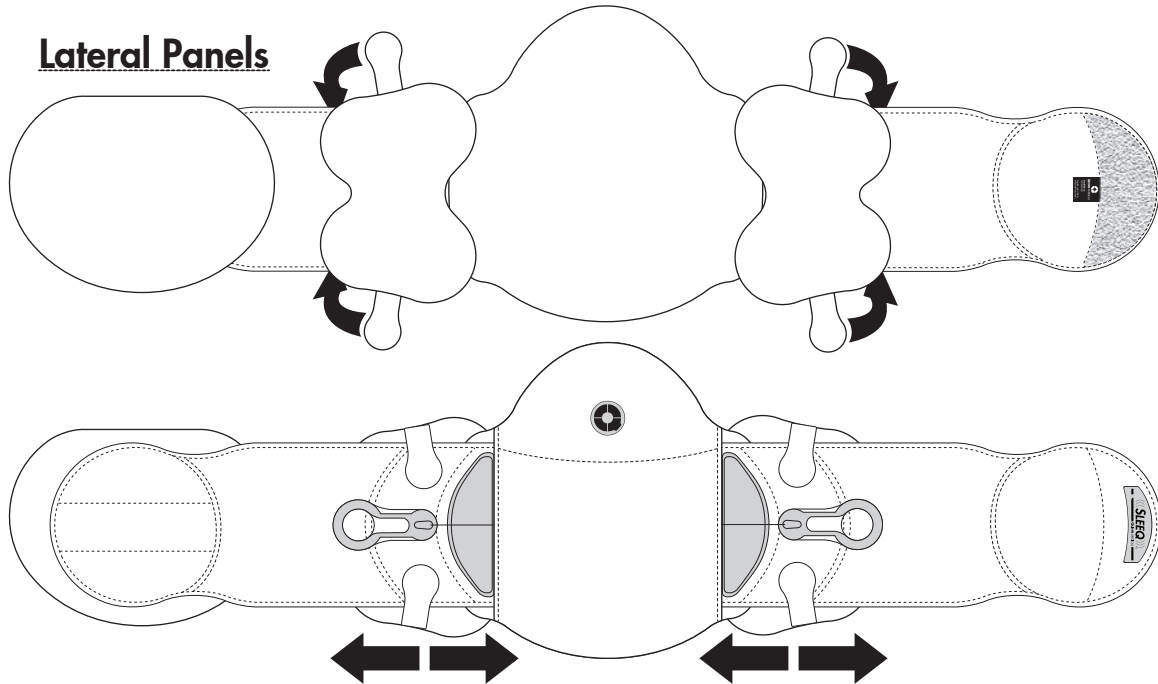


## Wrap



## Tighten





## WARRANTY & ADDITIONAL INFORMATION

### LIMITED WARRANTY

Quinn Medical warrants to the original purchaser that this product is free from defects in materials and workmanship. Normal wear and tear during the use of a product is not considered a defect. This Limited Warranty is effective from the date of delivery to the original purchaser.

This warranty does not apply if this product;

- (1) has been altered in any way;
- (2) was not purchased from Quinn Medical or one of its authorized distributors;
- (3) is not used in accordance with Quinn Medical's Instructions for Use (IFU).

Under this Limited Warranty Quinn Medical's sole obligation shall be to repair or replace the defective product or associated part(s) at no charge. This Limited Warranty does not cover damage as a result of mishandling, accidents, improper use or alteration of the product. This warranty is in place of all other warranties, either express or implied, including but not limited to warranties of merchantability or fitness for a particular purpose.

Quinn Medical shall not be liable under this or any implied warranty for any personal injury, property damage, or special, incidental, or consequential damages arising out of, related, or incidental to the use of the product even if Quinn Medical has been informed of the prospect of such possible loss or damage, unless state law otherwise prohibits this exclusion.

User should seek advice from their healthcare provider immediately if user encounters any kind of adverse reaction related to the use of this product. User should consult with their healthcare provider with any questions or concerns relating to the proper use of this product for their specific medical condition.

**IMPORTANT-** Read all Instructions for Use (IFU) and any other associated materials to ensure proper use.

*Designed & made in California  
with the world's finest materials.*

© 2012 Quinn Medical, Inc. All Rights Reserved.

101070 – Web Version 5/12

PATENT PENDING

