

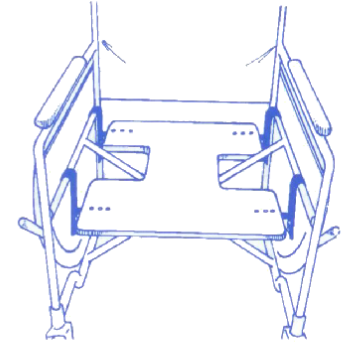
J-Hook Drop-Seat

Re-Order #	Description	Chair Width	Unit
704310	J-Hook Drop Seat Only	18" Wide WC	Set
704315	J-Hook Drop Seat w/Gel Cushion	16" Wide WC	Set
704320	J-Hook Drop Seat w/Gel Cushion	18" Wide WC	Set

Re-Order #	Description	Chair Width	Unit
704325	Replacement Cushion	16" Wide WC	Ea.
704330	Replacement Cushion	18" Wide WC	Ea.

Purpose

The J-Hook Drop-Seat lowers the wheelchair seat up to four inches permitting the wheelchair user to reach the footrests or floor. It also lowers the center of gravity, reducing the possibility of the chair tipping over. The drop-seat base can be set to a level or inclined position to meet the user's positioning needs. Designed for convenience, the J-Hook Drop-Seat easily lifts off the wheelchair frame when the chair must be folded for travel or storage. Weight tested to 400 pounds.

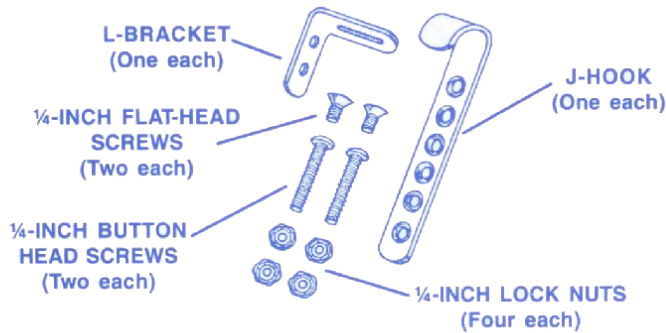


Easy Assembly

Before beginning assembly, verify that you have all hardware components illustrated below.

Four packets, each containing:

Note: A hex-wrench is included in one of the packets



One packet containing:

