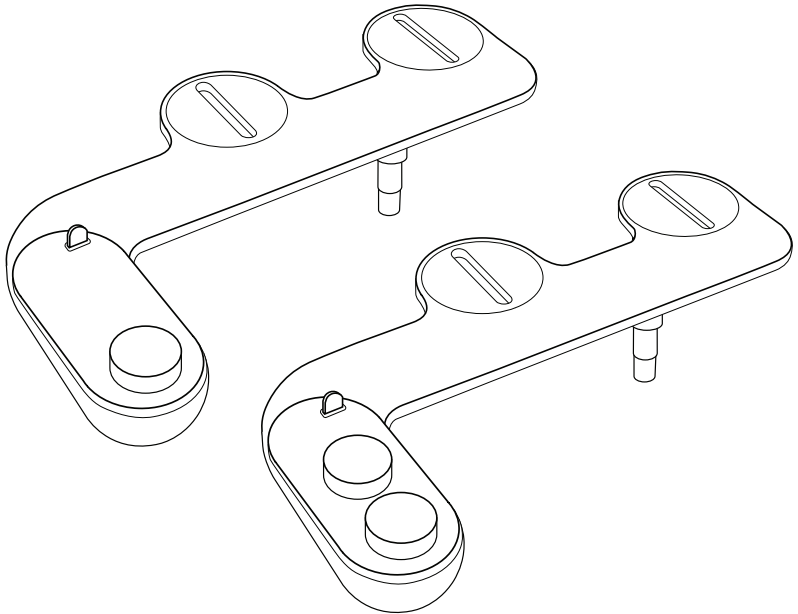


Brondell®

SimpleSpa Eco Bidet Attachment with Adjustable Single Nozzle

Models: SSE-15
SSE-25



Contents

This manual contains important safety information. Before operating your SimpleSpa Eco, please read this manual thoroughly and retain it for future reference.

PRODUCT INFORMATION

- 3** Product Features
- 4** Product Dimensions
- 5** Product Parts

PRODUCT INSTALLATION

- 6** Before Installation
- 7** Installation
- 10** Installing the Bidet Attachment

PRODUCT OPERATION

- 12** Using the SimpleSpa Eco

TECHNICAL INFORMATION

- 14** Maintenance
- 15** Product Specifications
- 16** Warranty
- 17** Contact Information

TRANSLATIONS

- 18** Espanol
- 34** Francais

Product Features

SSE-15 / SSE-25 FEATURES

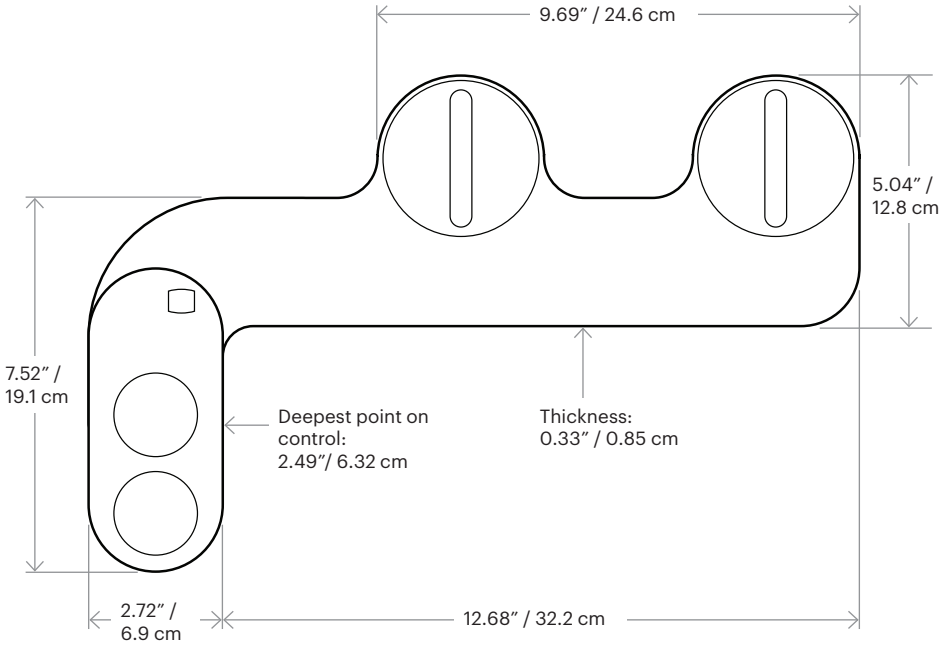
Made with 65% recycled plastic
Side-arm control panel with aluminum knobs and easy nozzle adjuster
Adjustable nozzle position for front and rear washes
Self-cleaning, retractable nozzle
Ambient temperature bidet wash
Adjustable water pressure
All-metal $\frac{3}{8}$ " T-Valve
Braided-metal cold water hose
No electricity or batteries required
Simple, DIY installation—universal, adjustable fit
All accessories included for standard installation
1-year limited warranty

SSE-25 DUAL TEMPERATURE FEATURES ONLY

Fully adjustable water temperature and pressure
High-temperature hot water flex tubing
All-metal $\frac{3}{8}$ " T-Valve

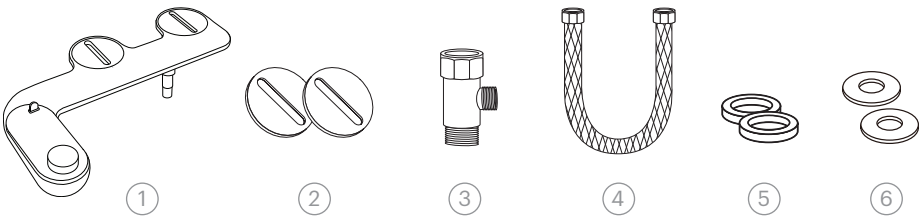
PRODUCT INFORMATION

Product Dimensions



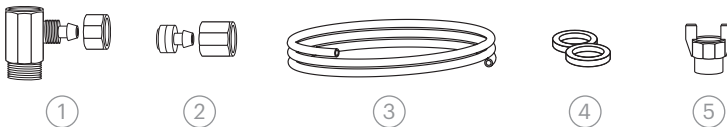
Product Parts

1. Bidet attachment
2. Adjustable mounting brackets
3. Cold water T-Valve connector
($\frac{1}{8}$ " x $\frac{1}{8}$ " x $\frac{3}{8}$ ")
4. Cold water braided-metal hose
Hose length: 23.62"
5. Large rubber washer (2)
6. White rubber mounting washer (2)



SSE-25 Dual Temperature Only

1. Hot water $\frac{3}{8}$ " T-valve with $\frac{1}{4}$ " pressure connector and pressure cap
2. Hot water tubing pressure connector with pressure cap
3. $\frac{1}{4}$ " hot water flex tubing
Hose length: 78.74"
4. Small rubber washers (2)
5. Hot water supply cap



Before Installation

IMPORTANT:

Please be advised that the provided cold water T-Valve should be installed at the fill valve under the toilet tank. Do not disconnect from water supply valve on the wall.

NOTE: The hot water T-Valve will be installed at the hot water supply under your bathroom sink. If you do not have access to the fill valve under the toilet tank, visit us at **www.brondell.com** or contact us at **1-888-542-3355** for further assistance.

For SSE-25 Dual Temperature Model Only

Check the size of the hot water supply connection (most likely under the sink/washbasin). This should be a $\frac{3}{8}$ " connection to properly fit and install the enclosed T-Valve.

NOTE: If the connection is a $\frac{1}{2}$ " connection, you will need to purchase the following reducing adapter available online and at many plumbing hardware stores: **Reducing Adapter, $\frac{1}{2}$ " Female NPT x $\frac{3}{8}$ " Male Compression**

Check water supply line

Check the water supply line that connects the toilet tank fill valve to the water shut-off valve at the wall.

- If it is a rigid pipe, you will need to purchase a flexible water supply hose to replace it before installing the SimpleSpa Eco.
- The length of the hose may vary, and the top connection size should be $\frac{3}{8}$ " ballcock to connect to the T-Valve that you will install under the toilet tank.
- The bottom connection will vary (most common are $\frac{3}{8}$ " and $\frac{1}{2}$ " female compression).

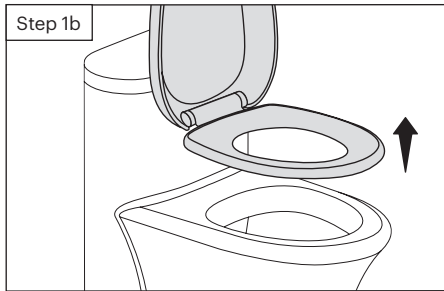
CAUTION: Only use the hoses, T-Valves, and components that are included with your product as they have been specifically designed and tested for safe use with this Bidet Attachment. Please note that use of unauthorized or non-Brondell approved parts could result in injury, leaking, or damages that Brondell will not be held liable for.

Installation

Please read these instructions carefully before installing your SimpleSpa Eco. Failure to do so could result in flooding, leaking or damage to the product.

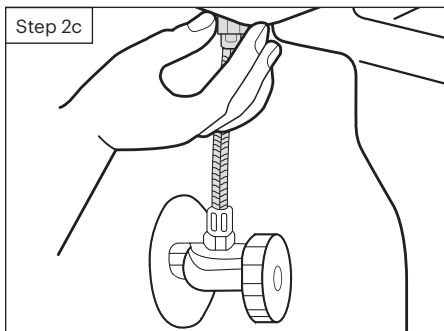
1. Existing toilet seat removal

- Lift hinge covers and use flathead or Phillips-head screwdriver to remove the mounting bolts. Alternatively, you may need to loosen the mounting bolts underneath the seat.
- Remove the toilet seat, and set the seat, mounting bolts, and hardware aside.



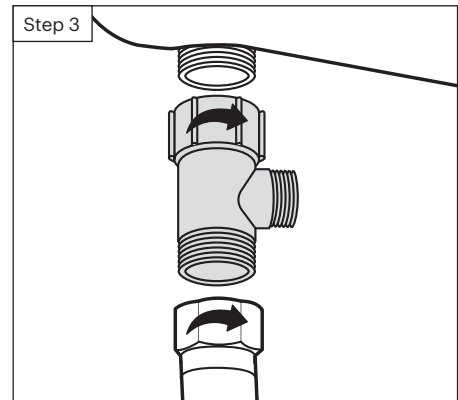
2. Turn off water supply valve and flush toilet

- Turn off water supply valve to stop the flow of water.
- Flush toilet and hold down handle to completely empty tank.
- Disconnect water supply hose from toilet tank; do not disconnect from the water supply valve.



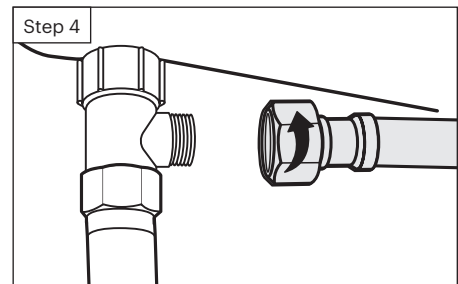
3. Connect cold water T-Valve to the toilet tank fill valve

- Install the $\frac{3}{8}$ " cold water T-Valve with one or both of the large rubber washers to the incoming water connection on the bottom of your toilet tank.
- Connect the cold water supply line coming from the wall to the bottom of the T-Valve.



4. Connect bidet hose to T-Valve

Connect one end of the braided-metal cold water bidet hose to the remaining open side of the installed T-Valve.

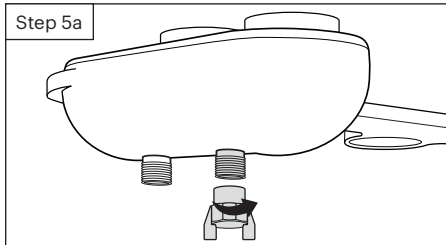


FOR AMBIENT TEMPERATURE MODEL, STOP HERE AND PROCEED TO "INSTALLING THE BIDET ATTACHMENT" ON PAGE 10. FOR DUAL TEMPERATURE MODEL, CONTINUE.

Dual Temperature Model Installation

5. Install the hot water supply cap

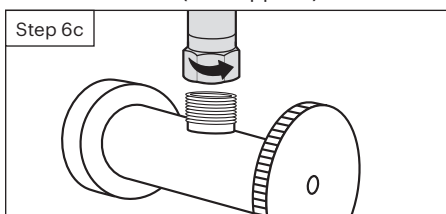
- a. If you are only connecting the cold water supply, then you must install the hot water supply cap (provided - see Page 5) over the hot water connection on your bidet (see diagram).
- b. After installing hot water cap, proceed to "Installing the Bidet Attachment" on Page 10. If you wish to connect your hot water supply, proceed to the next steps.



IMPORTANT: Failure to connect or cap the hot water supply will result in leaking during use.

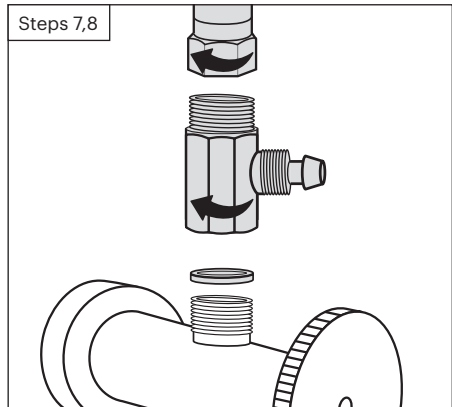
6. Disconnect the hot water supply

- a. Locate the hot water supply line in your bathroom under your sink/washbasin and turn the water supply valve all the way off.
- b. Drain the hot water line by turning the sink tap on the hot setting until no more water comes out.
- c. Disconnect hot water supply hose to sink from shut-off valve. You may have to use a $\frac{3}{8}$ " compatible wrench or a similar tool (not supplied).



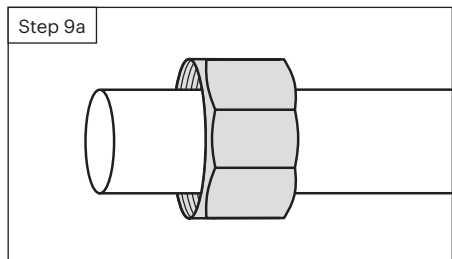
NOTE: There may be some residual water in the hose; use a small container or towel to catch any residual water.

7. Install the hot water $\frac{3}{8}$ " T-Valve and the small rubber washers as needed onto the hot water shut-off valve under the sink
8. Reconnect hot water supply line to open end (top) of T-Valve



9. If not already removed, unscrew the pressure cap covering the pressure connector on the T-Valve

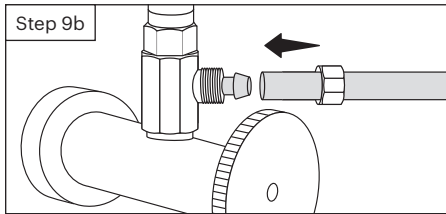
- a. Slide the pressure cap over the open end of the hot water flex tubing with the inside threads facing towards the open end.



- b. Push the hot water flex tubing over the pressure connector.

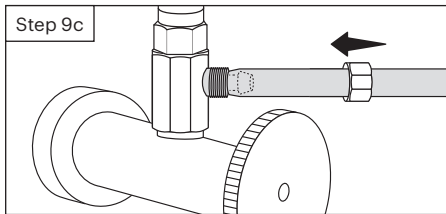
PRODUCT INSTALLATION

Installation (Cont'd)

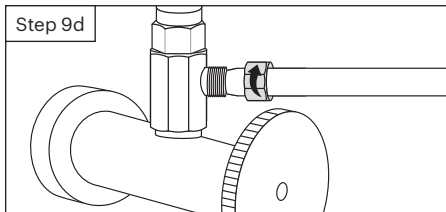


IMPORTANT: Be sure to slide the hot water flex tubing over the pressure connector until the tubing slides past the "lip" of the pressure connector and it cannot go any further.

- c. Slide the pressure cap down until the cap meets the pressure connector.



- d. Screw the cap onto the T-Valve until secure and tight.

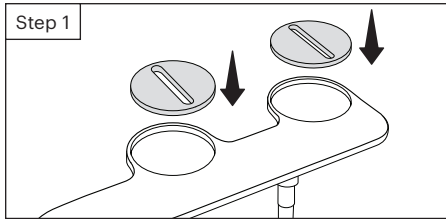


CAUTION: Do not overtighten the pressure cap. You will risk damaging the tubing.

Installing the Bidet Attachment

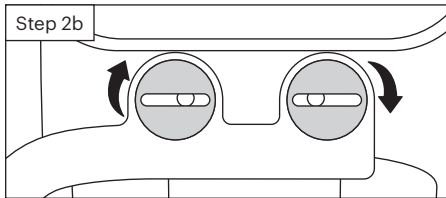
1. Install adjustable mounting brackets into the bidet attachment

Place circular mounting brackets into the circular openings of the bidet attachment.

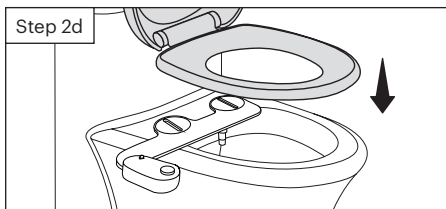


2. Install bidet attachment on toilet

- Place the bidet attachment on the toilet with the nozzle close to the back of the toilet, leaving a slight gap between the toilet and the nozzles. This will vary by toilet.
- Make sure the adjustable brackets line up with the holes in the toilet fixture. You may need to rotate the adjustable brackets accordingly to line up properly.



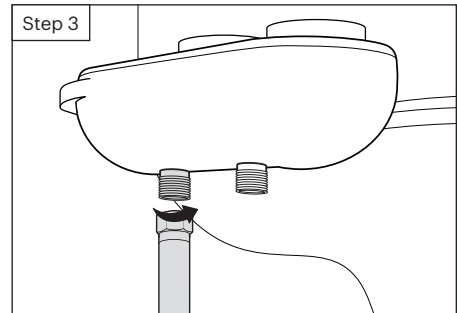
- Add large white mounting washers if needed for a better fit.
- Replace the toilet seat on top of the bidet attachment and secure using original toilet seat hardware. Make sure to tighten so that the bidet attachment and seat do not move.



- Ensure the bidet control knob is in the off position to prevent water from accidentally spraying out of the toilet bowl.

3. Connect bidet hose to bidet attachment

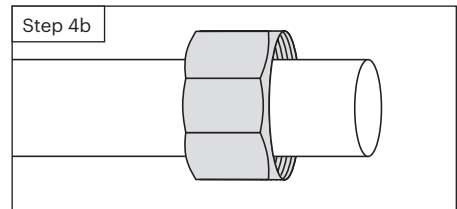
Connect the open end of bidet hose to the cold connection under the bidet attachment.



NOTE: If you have already installed the hot water supply cap over the hot water supply on your SSE-25 Dual Temperature model, skip to Step 5 on Page 11. Otherwise, proceed to the next steps.

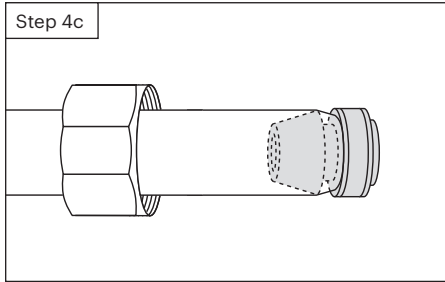
4. Connect hot water tube to bidet attachment (SSE-25 dual temperature model only)

- Take the hot water tubing pressure connector and remove the pressure cap.
- Slide the pressure cap over the open end of the hot water flex tubing with the inside threads facing towards the open end.



Installing the Bidet Attachment (Cont'd)

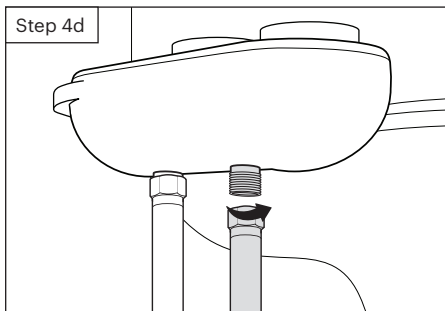
- c. Push the pressure connector into the open end of the of hot water flex tubing with the washer facing out.



NOTE: If there is any leaking, check all rubber washers and make sure all water connections are tight and secure. If necessary, wrap Teflon tape around the threading of any leaking connections.

IMPORTANT: Be sure to slide the hot water flex tubing over the pressure connector until the tubing slides past the "lip" of the pressure connector and it cannot go any further.

- d. Hold the pressure connector up against the hot water inlet on the bidet attachment. Slide the pressure cap along the tubing and screw the cap onto the hot water inlet until the pressure connector is secure.



5. Turn on water supply and check for leaks

- Open the main water supply valve slowly and check for leaks.
- Wait 5-10 minutes, check again, and if there are no leaks, continue.

Using the SimpleSpa Eco

1. Self-cleaning nozzle feature

To clean the bidet nozzle, turn the control dial counter clockwise towards the “nozzle clean” position and water will wash over the nozzles.

2. Bidet wash

To wash, turn the control dial to the right towards “wash”.

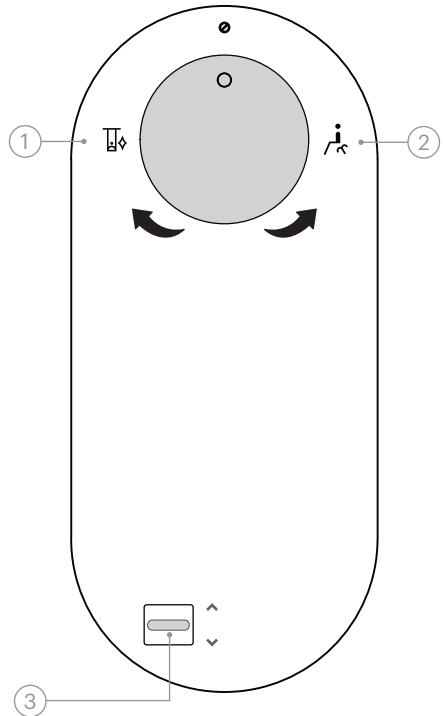
- The further the dial is turned, the higher the water pressure will be.
- To lower the water pressure, turn the dial back towards the center.

3. Adjustable nozzle position

Use the nozzle position lever to find the best angle for the ultimate cleanse.

- Moving the lever forwards will position the nozzle away from you.
- Moving the lever backwards will position the nozzle closer to you.

TIP: The nozzle position lever can be used during a wash to create an oscillation motion, providing a wider cleaning action.



Using the SimpleSpa Eco (Cont'd)

WARNING

Risk of scalding. High water temperature can cause severe burns. Be sure to set the water temperature for your hot water heater at or below 120°F (49°C) and use extreme caution when mixing hot and cold water during use.

Brondell is not liable for any misuse of product or failure to use caution when connecting to hot water.

To adjust temperature (SSE-25 dual temperature model only)

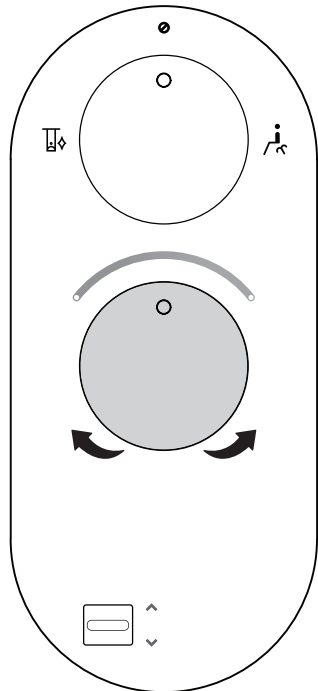
- To increase water temperature, slowly turn the temperature to the right until the desired temperature is reached.
- To decrease water temperature, turn the temperature to the left until the desired temperature is reached.

NOTES:

There may be a delay in the warm water reaching the bidet attachment as the cold water in your pipes clears and is replaced with hot water (similar to the delay when you turn your faucet on).

If only connected to cold water, make sure that the temperature dial on the bidet is turned as far to the left as possible for best pressure adjustability.

TIP: For a quick and easy way to get warm water to the bidet, run the "nozzle cleaning" function with the warm water turned on for a short time until the water heats up, then use as normal.



Maintenance

Manual nozzle cleaning

To deep clean the nozzle, gently turn the Bidet Wash dial towards the wash icon—just enough for the nozzle to appear. Grab and slowly pull the nozzle out of the guard and return the Bidet Wash dial to the “off” position to stop the flow of water. Use a toothbrush or soft cloth and mild detergent (such as dish soap) to clean the nozzle and release when finished.

Cleaning the bidet attachment

To clean the SimpleSpa Eco Adjustable Bidet Attachment, use a mild cleaner such as dish soap or a diluted mix of vinegar and water. Do not scrub or use harsh, abrasive products to clean the SimpleSpa Eco as they may scratch the product.

Short term non-use

If the product will not be used for more than a few weeks, you may consider shutting the water supply off at the wall for extra precaution.

Product Specifications

SIMPLESPA ECO THINLINE BIDET ATTACHMENT WITH ADJUSTABLE SINGLE NOZZLE	
Models	SSE-15, SSE-25
Supply Water Pressure	14.5 psi–116.03 psi / 0.1 MPa–0.8 MPa
Dimensions (L x W x H)	15.43" x 9.96" x 3.33" / 39.2 cm x 25.3 cm x 8.45 cm
Weight	SSE-15: 1.28 lb / 0.58 kg SSE-25: 1.71 lb / 0.78 kg
Product Thickness	0.33" / 0.85 cm
Incoming Water Temperature Range	32°F–158°F / 0°C–70°C
Flow Rate	0.39 g/min / 1.47 L/min

Note: The specifications listed above are subject to change without prior notice for reasons of improving the product performance.

Warranty

Brondell products are backed by some of the most comprehensive warranties in the industry. Brondell warrants that all products (excluding consumable items) shall be free from defects in material and workmanship under normal use and service.

SSE-15 & SSE-25 Residential One-Year Limited

100% Coverage of all parts and labor for the entire product for the first year from original date of purchase.

SSE-15 & SSE-25 Commercial Warranty

Warranty period 1 year from original purchase date for all Brondell products. Warranties may not apply to products that are used for heavy commercial, hospital, or other high use non-residential applications.

Exclusions and Limitations

1. BRONDELL warrants its products to be free from manufacturing defects under normal use and service. This warranty is extended only to the ORIGINAL PURCHASER.
2. BRONDELL's obligations under this warranty are limited to repairs or replacement, at BRONDELL's option, of products or parts found to be defective, provided that such products were properly installed and used in accordance with instructions. BRONDELL reserves the right to make such inspections as may be necessary to determine the cause of the defect. BRONDELL will not charge of labor or parts in connection with warranty repairs for the duration of the warranty from date of purchase on all product except those that may be subject to commercial use limitations.
3. BRONDELL is not responsible for the cost of removal, return (shipping) and/or re-installation of products. This warranty does NOT apply to:
 - Damage or loss which occurs during shipment.
 - Damage or loss sustained through any natural or man-made causes beyond the control of BRONDELL, including but not limited to fire, earthquake, floods, etc.
 - Damage or loss resulting from sediments or foreign matter contained in a water system.
 - Damage or loss resulting from negligent or improper installation including installation of a unit in a harsh or hazardous environment.
 - Damage or loss resulting from removal, improper repair, modification of the product, or improper maintenance including damage caused by chlorine or chlorine-related products.
 - Damage or loss resulting from electrical surges, electrical outages, lightning strikes, or other acts which are not the fault of Brondell, or which the product is not specified to tolerate.
4. This warranty gives you specific legal rights. You may have other rights which vary from state to state.

THIS WRITTEN WARRANTY IS THE ONLY WARRANTY MADE BY BRONDELL. REPAIR OR REPLACEMENT AS PROVIDED UNDER THIS WARRANTY SHALL BE THE EXCLUSIVE REMEDY AVAILABLE TO THE PURCHASER. BRONDELL SHALL NOT BE RESPONSIBLE FOR LOSS OF USE OF THE PRODUCT OR FOR OTHER INCIDENTAL, SPECIAL, FOR CONSEQUENTIAL DAMAGES OR EXPENSES INCURRED BY THE PURCHASER OR FOR LABOR OR OTHER COSTS DUE TO INSTALLATION OR REMOVAL OR COSTS OF REPAIRS BY OTHERS, OR FOR ANY OTHER EXPENSE NOT SPECIFICALLY STATED ABOVE. EXCEPT TO THE EXTENT PROHIBITED BY APPLICABLE LAW, ANY IMPLIED WARRANTIES, INCLUDING THAT OF MERCHANTABILITY, ARE EXPRESSLY LIMITED TO THE DURATION OF THIS WARRANTY. SOME STATES DO NOT ALLOW LIMITATIONS, SO THE ABOVE LIMITATION AND EXCLUSION MAY NOT APPLY TO YOU.

How to Obtain Service

To obtain repair service under this warranty, you must contact an authorized BRONDELL Service Center to obtain an RMA (Return Merchandise Authorization) number. Proof of purchase in the form of a copy of the original receipt must accompany the returned unit for the warranty to be valid. Take or ship the unit pre-paid to the closest Brondell authorized service center along with the RMA number and proof of purchase. To obtain the RMA number and locate the BRONDELL Service Center location nearest you, please call 1-888-542-3355, Mon-Fri, 9am-5pm PST.

Índice

Este manual incluye información importante de seguridad. Lea este manual atentamente antes de empezar a usar su accesorio para bidé SimpleSpa Eco y guárdelo para consultarlo en el futuro.

INFORMACIÓN DEL PRODUCTO

- 19** Especificaciones del Producto
- 20** Dimensiones del Producto
- 21** Piezas del Producto

INSTALACIÓN DEL PRODUCTO

- 22** Antes de Realizar la Instalación
- 23** Instalación
- 26** Cómo instalar el accesorio para bidé

FUNCIONAMIENTO DEL PRODUCTO

- 28** Uso del SimpleSpa Eco

INFORMACIÓN TÉCNICA

- 30** Mantenimiento
- 31** Especificaciones
- 32** Garantía
- 33** Contacto

TRANSLATIONS

- 2** Inglés
- 34** Francés

INFORMACIÓN DEL PRODUCTO

Especificaciones del Producto

FUNCIONES DEL SSE-15 DE TEMPERATURA AMBIENTE

Posición de la boquilla ajustable para lavados delanteros y traseros

Material ABS de alta calidad con panel de una sola pieza

Boquillas higiénicas retráctiles

Boquillas autolimpiantes

Presión del agua ajustable

Válvula central interior de cerámica con diseño patentado de una sola pieza

Válvula en T de 3/8" en metal de alta calidad

Manguera de agua fría de metal trenzado resistente

No se necesita suministro de electricidad ni baterías

Instalación sencilla y ajuste adaptable al inodoro

Se incluyen todos los accesorios necesarios para la instalación estándar

Garantía de un año

FUNCIONES ÚNICAMENTE DEL SSE-25 DE DOBLE TEMPERATURA

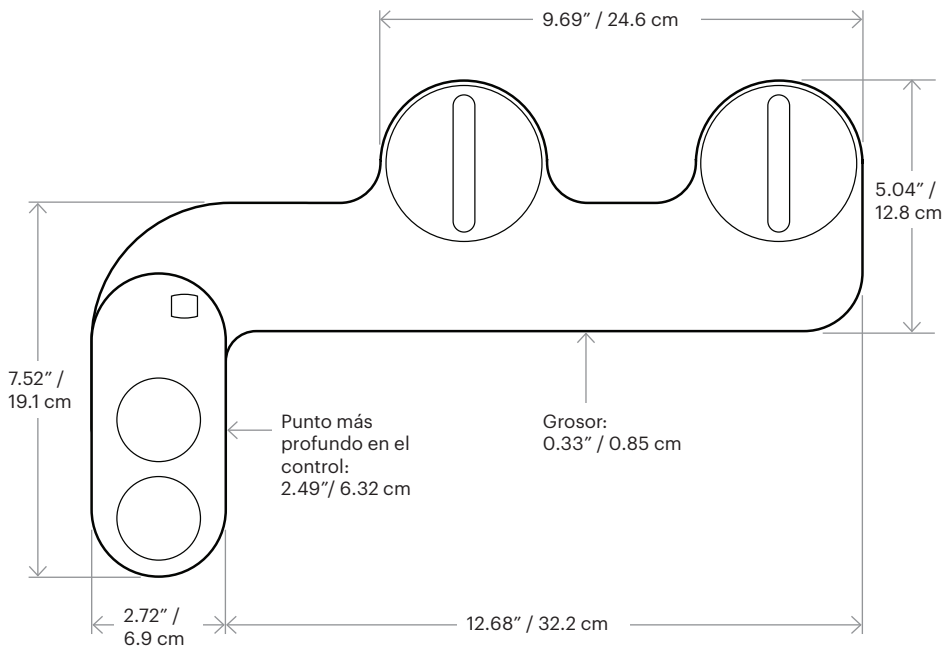
Opciones de bidé de lavado con agua caliente y fría

Temperatura de agua ajustable

Tubería para agua caliente durable y resistente a las altas temperaturas

Válvula en T de 3/8" en metal de alta calidad

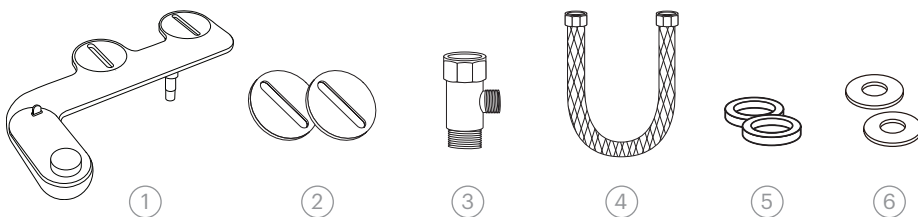
Dimensiones del Producto



INFORMACIÓN DEL PRODUCTO

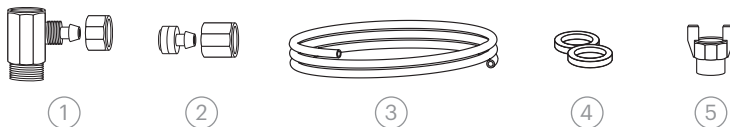
Piezas del Producto

1. Accesorio Para Bidé
2. Soportes de Montaje Ajustables
3. Conector de Agua Fría de Válvula en T ($\frac{1}{8}$ " x $\frac{1}{8}$ " x $\frac{3}{8}$ ")
4. Manguera de metal trenzado de agua fría, longitud de la misma: 60 cm
5. Arandelas Grandes de Goma (2)
6. Arandela de goma blanca para montaje



Solo Piezas de Temperatura Dual

1. Válvula en T para agua Caliente de $\frac{3}{8}$ " con Conector de Presión de $\frac{1}{4}$ " y Tapón de Presión
2. Conector de Presión de la Tubería de Agua Caliente con Tapón de Presión
3. $\frac{1}{4}$ " tubo flexible de agua caliente, longitud de la manguera: 200 cm
4. Arandelas Pequeñas de Goma (2)
5. Tapón de la Entrada del Suministro de Agua Caliente



INSTALACIÓN DEL PRODUCTO

Antes de Realizar la Instalación

IMPORTANTE:

Tenga en cuenta que la válvula en T para agua fría provista se debe instalar en la válvula de llenado debajo del tanque del inodoro y NO en la entrada del suministro de agua fría que sale de la pared.

IMPORTANTE: La válvula en T para el agua caliente se instalará en la entrada del suministro de agua caliente debajo del lavabo del baño. Si no tiene acceso a la válvula de llenado debajo del lavabo del baño, consulte nuestro sitio www.brondell.com o comuníquese con nosotros al **1-888-542-3355** para obtener más ayuda.

Solo para el modelo SSE-25 de doble temperatura:

Verifique el tamaño de la conexión de entrada del suministro de agua caliente (probablemente se encuentre debajo del lavabo o lavamanos). Debe ser una conexión de $\frac{3}{8}$ " para que la válvula en T se pueda ajustar e instalar dentro correctamente.

IMPORTANTE: Si se trata de una conexión de $\frac{1}{2}$ " tendrá que comprar el siguiente adaptador reductor, que podrá encontrar por Internet y en muchas tiendas de productos de plomería:
Adaptador reductor, hembra NPT de $\frac{1}{2}$ " x $\frac{3}{8}$ " de compresión macho

Verifique el Tubo del Suministro de Agua

Verifique el tubo de suministro de agua que conecta la válvula de llenado del tanque del inodoro con la válvula de corte en la pared. Si se trata de una tubería rígida, tendrá que comprar una manguera flexible de suministro de agua para reemplazarla antes de instalar el SimpleSpa Eco .

El largo de la manguera puede variar y la conexión superior debe ser para una válvula de flotador de $\frac{7}{8}$ " para conectarla a la válvula en T que se instalará debajo del tanque del inodoro. La conexión inferior puede variar (por lo general, son de compresión hembra de $\frac{3}{8}$ " y $\frac{1}{2}$ ").

PRECAUCIÓN: Utilice únicamente las mangueras, las válvulas en T y los componentes que se incluyen con su producto, ya que han sido diseñados y probados específicamente para su uso seguro con este accesorio de bidé. Tenga en cuenta que el uso de piezas no autorizadas o no aprobadas por Brondell podría provocar lesiones, fugas o daños de los que Brondell no se hará responsable.

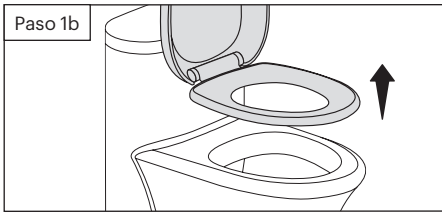
INSTALACIÓN DEL PRODUCTO

Instalación

Lea atentamente estas instrucciones antes de instalar su SimpleSpa Eco . De lo contrario, podrían surgir problemas, como inundaciones, fugas o daños al producto.

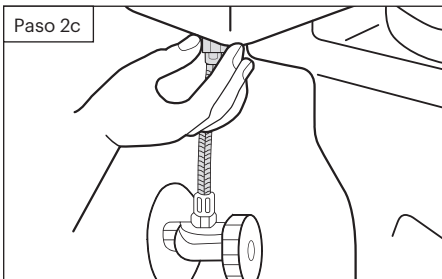
1. Cómo retirar el asiento para inodoro existente.

- Levante las cubiertas de las bisagras y use un destornillador Phillips o de cabeza plana para retirar los pernos de montaje. Es posible que también tenga que aflojar los pernos de montaje que se encuentran debajo del asiento.
- Retire el asiento para inodoro y déjelo a un lado, junto con los pernos y las herramientas.



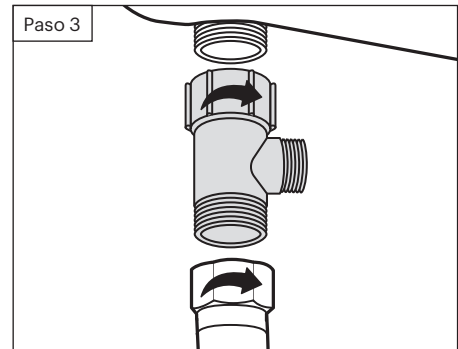
2. Cierre la válvula de suministro de agua y descargue el inodoro.

- Cierre la válvula de suministro de agua para detener el flujo de agua.
- Descargue el inodoro y mantenga la manija presionada para que el tanque se vacíe por completo.
- Desconecte la manguera del suministro de agua del tanque del inodoro. No la desconecte de la válvula de suministro de agua.



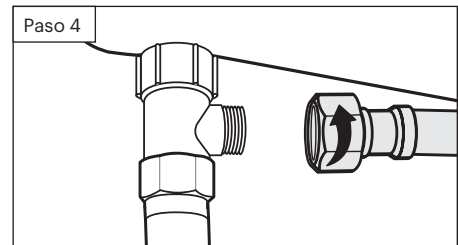
3. Conecte la válvula en T de la entrada de agua fría a la válvula de llenado del tanque del inodoro.

- Instale la válvula en T de $\frac{1}{2}$ " de la entrada de agua fría con una o las dos arandelas grandes de goma en la conexión de entrada de agua que se encuentra en la parte inferior del tanque del inodoro.
- Conecte el tubo de suministro de agua fría de la pared a la parte inferior de la válvula en T.



4. Conecte la manguera del bidé a la válvula en T.

Conecte un extremo de la manguera del bidé de metal trenzado del agua fría al extremo libre de la válvula en T.

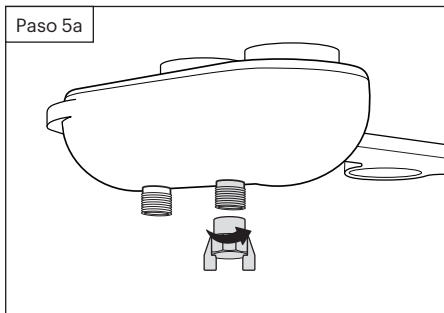


PARA EL MODELO DE TEMPERATURA AMBIENTE, NO SIGA LOS PRÓXIMOS PASOS Y VAYA A LA SECCIÓN "CÓMO INSTALAR EL ACCESORIO PARA BIDÉ" EN LA PÁGINA 26. PARA EL MODELO DE DOBLE TEMPERATURA, CONTINÚE.

Instalación (Cont'd)

5. Instale el tapón de la entrada del suministro de agua caliente.

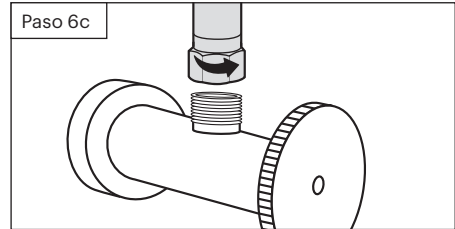
- Si solo va a conectar el suministro de agua fría, debe colocar el tapón de suministro de agua caliente (que está incluido; consulte la página 21) en la conexión de agua caliente de su Swash (consulte el diagrama)
- Después de instalar el tapón del agua caliente, continúe con la sección "Cómo instalar el accesorio para bidé" en la página 26. Si desea conectar también su suministro de agua caliente, continúe con los siguientes pasos.



IMPORTANTE: De lo contrario, el suministro de agua caliente goteará cuando use.

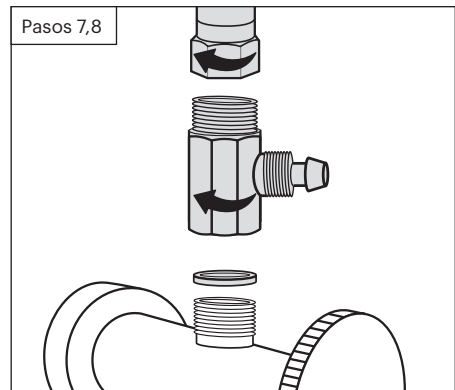
6. Conecte la entrada de agua caliente.

- Ubique el tubo de la entrada de agua caliente en su baño, debajo del lavabo o lavamanos, y cierre por completo la válvula de suministro de agua.
- Abra el grifo del agua caliente en el lavabo para que salga toda el agua del tubo.
- Desconecte la manguera de entrada del agua caliente del lavabo de la válvula cerrada. Quizás tenga que usar una llave inglesa compatible de $\frac{3}{8}$ " u otra herramienta similar (no incluida).



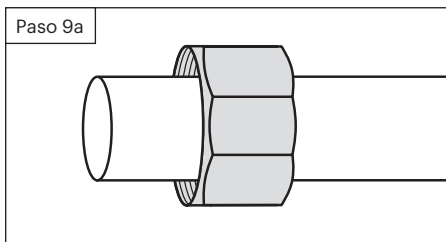
IMPORTANTE: Es posible que quede agua residual en la manguera. Utilice un recipiente pequeño o una toalla para recogerla.

- Instale la válvula en T de $\frac{3}{8}$ " del agua caliente y las arandelas de goma pequeñas según sea necesario en la válvula cerrada del agua caliente debajo del lavabo.
- Vuelva a conectar el tubo de entrada del agua caliente con el extremo libre (superior) de la válvula en T.

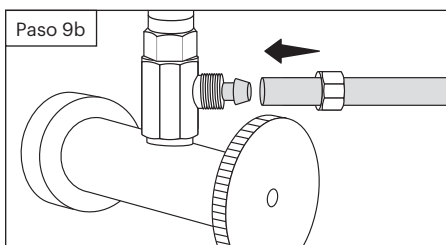


9. Si no lo retiró aún, desatornille el tapón de presión que cubre el conector de presión de la válvula en T.

- Deslice el tapón de presión sobre el extremo libre de la tubería flexible del agua caliente con la rosca hacia el extremo interior.

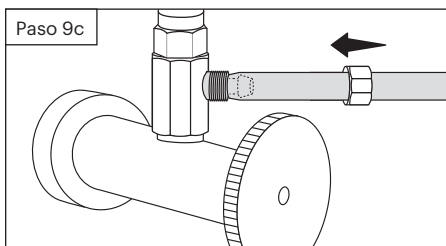


b. Presione la tubería flexible del agua caliente sobre el conector de presión.

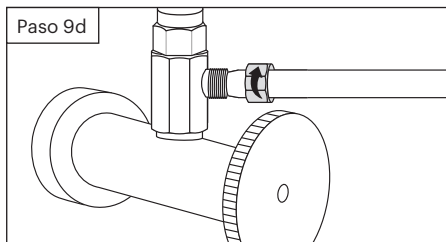


IMPORTANTE: Asegúrese de deslizar la tubería flexible del agua caliente sobre el conector de presión hasta que pase el borde del conector y no pueda avanzar más.

c. Deslice el tapón de presión hacia abajo hasta que toque el conector de presión.



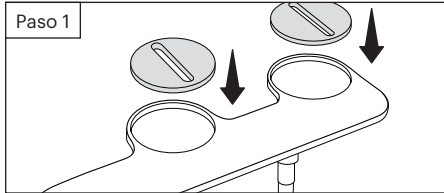
d. Atornille el tapón sobre la válvula en T hasta que quede fijo.



ATENCIÓN: No apriete demasiado el tapón de presión ya que podría dañar la tubería.

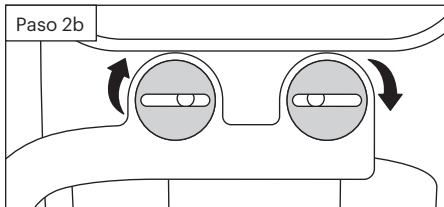
Cómo Instalar el Accesorio Para Bidé

- 1. Instale los soportes de montaje ajustables en el accesorio para bidé.**
Coloque los soportes de montaje circulares en las aberturas circulares en el accesorio para bidé.

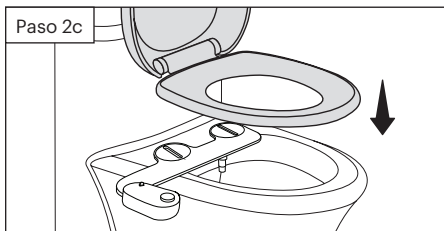


- 2. Instale el accesorio para bidé en el inodoro.**

- Coloque el accesorio para bidé en el inodoro de manera tal que la boquilla quede lo más cerca posible de la parte trasera de la taza del inodoro. Esta posición será diferente en cada inodoro.
- Asegúrese de que los soportes ajustables queden alineados con los orificios de la base del inodoro. Es posible que deba rotar los soportes para lograrlo.



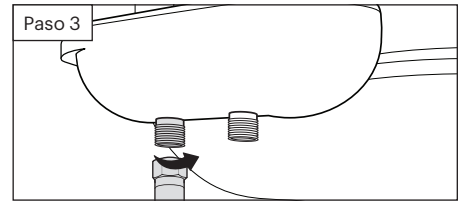
- Vuelva a colocar el asiento para inodoro sobre el accesorio para bidé y asegúrese de utilizar las piezas originales. Verifique que queden bien apretadas para que ni el accesorio ni el asiento se muevan.



- Asegúrese de que la perilla de control del bidé esté en la posición de apagado y no esté girada hacia una de las posiciones de operación para evitar que el agua salga accidentalmente del inodoro.

- 3. Conecte la manguera del agua fría del bidé al accesorio para bidé.**

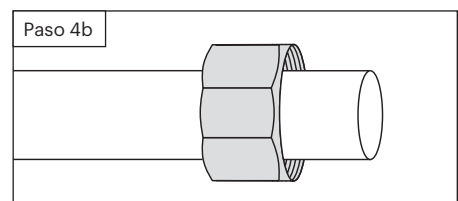
Conecte el extremo libre de la manguera del bidé a la conexión del agua fría en la parte trasera del accesorio para bidé.



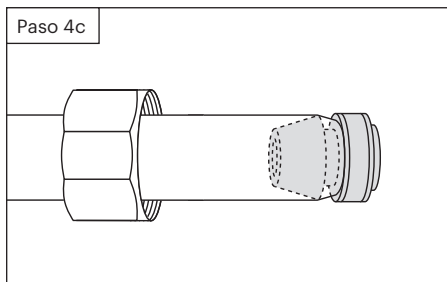
IMPORTANTE: Si ya colocó el tapón de la entrada del suministro de agua caliente sobre la entrada correspondiente en el modelo SSE-25 de doble temperatura, siga al paso 5 en la página 27. De lo contrario, continúe con los siguientes pasos.

- 4. Conecte el tubo del agua caliente al accesorio para bidé (solo para doble temperatura).**

- Tome el conector de presión de la tubería de agua caliente y retire el tapón de presión.
- Deslice el tapón de presión sobre el extremo libre de la tubería flexible del agua caliente con la rosca hacia el extremo interior.

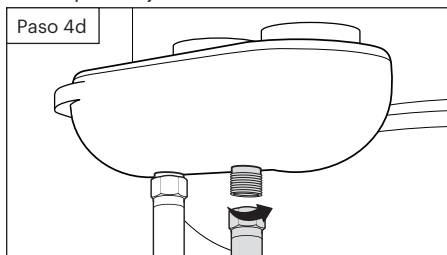


- c. Oprima el conector de presión sobre el extremo libre de la tubería flexible del agua caliente hacia afuera.



IMPORTANTE: Asegúrese de deslizar la tubería flexible del agua caliente sobre el conector de presión hasta que pase el borde del conector y no pueda avanzar más.

- d. Sostenga el conector de presión contra la entrada del suministro de agua caliente del accesorio para bidé. Deslice el tapón de presión por la tubería y atorníllelo a la entrada del suministro de agua caliente hasta que quede fijo.



5. Abra el suministro de agua y revise que no haya fugas.
- Abra la válvula del suministro principal de agua y revise si hay pérdidas.
 - Espere entre 5 y 10 minutos, vuelva a revisar y, si no hay pérdidas, continúe.

IMPORTANTE: Si hay pérdidas, revise todas las arandelas de goma y asegúrese de que todas las conexiones de agua estén bien ajustadas. Si es necesario, envuelva con cinta de teflón la rosca de cualquier conexión con fugas.

FUNCIONAMIENTO DEL PRODUCTO

Uso del SimpleSpa Eco

1. Función de autolimpieza de la boquilla

Para limpiar la boquilla de bidé, gire el selector de control a la izquierda hacia la posición de “limpiar boquilla” y el agua lavará las boquillas.

2. Limpieza del bidé

Para activar un ajuste de lavado bidé, gire el selector a la derecha hacia la zona de lavado bidet.

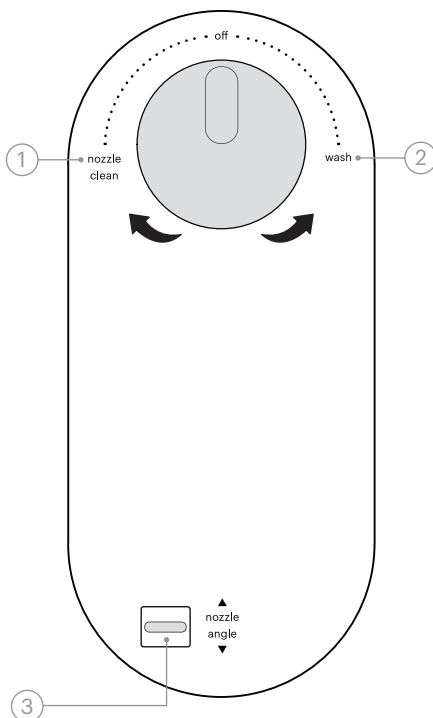
- Cuanto más se gire el selector, mayor será la presión del agua.
- Para bajar la presión del agua, gire el selector hacia el centro.

3. Posición de la boquilla ajustable

Utilice la palanca de posición de la boquilla para encontrar el mejor ángulo para la limpieza final.

- Mover la palanca hacia adelante posicionará la boquilla lejos de usted.
- Mover la palanca hacia atrás posicionará la boquilla más cerca de usted.

CONSEJO: La palanca de posición de la boquilla se puede utilizar durante un lavado para crear un movimiento de oscilación, proporcionando una acción de limpieza más amplia.



⚠️ ADVERTENCIA ⚠️

Existe riesgo de quemaduras. El agua a alta temperatura puede causar quemaduras graves.

Asegúrese de que la temperatura del agua en su calentador esté configurada a 120°F (50°C) o menos y sea muy cuidadoso al mezclar agua caliente y fría durante el uso.

Brondell no será responsable de ningún uso inadecuado o negligente al conectar el agua caliente.

Para ajustar la temperatura (solo modelo SSE-25 de doble temperatura)

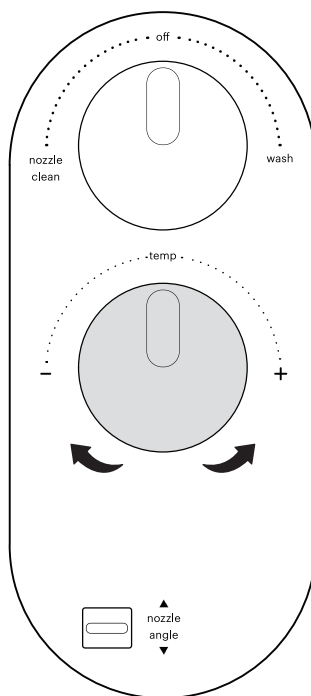
- Para aumentar la temperatura del agua, gire lentamente la temperatura hacia la derecha hasta alcanzar la temperatura deseada.
- Para disminuir la temperatura del agua, gire la temperatura hacia la izquierda hasta alcanzar la temperatura deseada.

IMPORTANTE:

Es posible que el agua caliente demore en salir por el accesorio para bidé ya que primero debe salir el agua fría que se encuentra en las tuberías (como sucede cuando abre los grifos).

Si solo está conectado al agua fría, asegúrese de que el dial de temperatura del bidé esté lo más a la izquierda posible para ajustar mejor la presión.

CONSEJO: Para una manera rápida y fácil de obtener agua tibia en el bidé, ejecute la función "Limpieza de boquillas" con el agua tibia encendida durante poco rato hasta que el agua se caliente, luego úsela como normal.



Mantenimiento

Limpieza manual de boquillas

Para limpiar manualmente la boquilla, use un cepillo de dientes o un paño suave y detergente suave (como jabón para platos).

Limpieza del accesorio de bidé

Para limpiar el accesorio de bidé ajustable SimpleSpa Eco, use un limpiador suave como jabón para platos o una mezcla diluida de vinagre y agua. No frote ni use productos fuertes y abrasivos para limpiar la SimpleSpa Eco, ya que pueden rayar el producto.

Si no lo Usa a Corto Plazo

Si no usará el producto por más de un par de semanas, puede cerrar el suministro de agua en la pared para extremar las precauciones.

INFORMACIÓN TÉCNICA

Especificaciones del Producto

SIMPLESPA ECO THINLINE BIDET ATTACHMENT WITH ADJUSTABLE SINGLE NOZZLE	
Modelos	SSE-15, SSE-25
Presión del Suministro de Agua	14.5 psi–116.03 psi / 0.1 MPa–0.8 MPa
Dimensiones (L x W x H)	15.43" x 9.96" x 3.33" / 39.2 cm x 25.3 cm x 8.45 cm
Peso	SSE-15: 1.28 lb / 0.58 kg SSE-25: 1.71 lb / 0.78 kg
Espesor del producto	0.33" / 0.85 cm
Rango de temperatura del agua de entrada	32°F–158°F / 0°C–70°C
Tasa de flujo	0.39 g/min / 1.47 L/min

Importante: Las especificaciones enumeradas anteriormente están sujetas a cambios sin previo aviso por razones de mejora del rendimiento del producto.

INFORMACIÓN TÉCNICA

Garantía

Los productos BRONDELL cuentan con una de las garantías más completas de la industria. BRONDELL garantiza que todos los productos (excepto los artículos consumibles) estarán libres de defectos de material y mano de obra bajo condiciones normales de uso y servicio.

Garantía Del SSE-15 & SSE-25 Residencial Limitada De 1 Año

Cobertura del 100 % para todas las piezas y manufactura de todo el producto durante el primer año desde la fecha inicial de compra.

SSE-15 & SSE-25 Garantía Comercial

Todos los productos BRONDELL cuentan con garantía por 1 año desde la fecha inicial de compra. Es posible

que la garantía no cubra los productos que se utilicen en entornos comerciales, hospitalarios o de otro tipo que no sean residenciales.

Exclusiones y Limitaciones

1. BRONDELL garantiza que todos sus productos están libres de defectos en la fabricación durante el uso y servicio normales. Esta garantía cubre únicamente al COMPRADOR ORIGINAL.
2. Las obligaciones de BRONDELL de acuerdo con la presente garantía se limitan a ofrecer reparación o reemplazos, a elección de BRONDELL, de los productos o piezas que presenten defectos en el caso de que los productos se hayan instalado y usado correctamente de acuerdo con las instrucciones. BRONDELL se reserva el derecho de realizar las inspecciones que sean necesarias para determinar la causa del defecto.
3. BRONDELL no es responsable del costo de retiro, devolución (envío) y/o reinstalación de los productos. La presente garantía NO cubre:
 - Daños y pérdidas que ocurran durante el envío.
 - Daños y pérdidas que ocurran por causas naturales o por el hombre más allá del control de BRONDELL, como en el caso de incendios, terremotos, inundaciones, etc.
 - Daños y pérdidas que ocurran por causa de sedimentos o materiales extraños que se encuentren en el sistema del agua.
 - Daños y pérdidas que ocurran por causa de una instalación negligente o inadecuada, como la instalación de una unidad en un entorno riguroso o peligroso.
 - Daños y pérdidas que ocurran por causa del retiro, reparación inadecuada, modificación del producto o mantenimiento inadecuado, como los daños causados por el uso de cloro o productos derivados.
4. La presente garantía le otorga derechos específicos. Es posible que cuente con otros derechos que varíen de estado a estado.

LA PRESENTE GARANTÍA POR ESCRITO ES LA ÚNICA QUE OTORGA BRONDELL. LA REPARACIÓN O EL REEMPLAZO TAL COMO SE ESPECIFICAN EN LA PRESENTE GARANTÍA SON LAS ÚNICAS COMPENSACIONES QUE SE OFRECERÁN AL COMPRADOR. BRONDELL NO HARÁ RESPONSABLE EN CASO DE QUE EL PRODUCTO NO SE PUEDA UTILIZAR MÁS O POR OTROS DAÑOS O GASTOS SECUNDARIOS, ESPECIALES O RELACIONADOS EN LOS QUE INCURRA EL COMPRADOR. TAMPOCO SERÁ RESPONSABLE POR LOS COSTOS DE MANO DE OBRA O DE OTRO TIPO QUE SURJAN DE LA INSTALACIÓN O RETIRO DEL EQUIPO, LOS COSTOS DE REPARACIÓN DE TERCEROS NI CUALQUIER OTRO TIPO DE GASTO QUE NO SE INDIQUE ESPECÍFICAMENTE. EXCEPTO EN LA MEDIDA EN QUE LO PROHÍBE LA LEY VIGENTE, CUALQUIER GARANTÍA IMPLÍCITA, COMO LA DE COMERCIABILIDAD, ESTÁ EXPRESAMENTE LIMITADA A LA DURACIÓN DE LA PRESENTE GARANTÍA. EN EL CASO DE LOS ESTADOS QUE NO ACEPTAN LIMITACIONES, NO REGIRÁN LOS LÍMITES NI LAS EXCLUSIONES INDICADAS ANTERIORMENTE.

Cómo Utilizar El Servicio De Reparación

Para obtener el servicio de reparación conforme a esta garantía, debe comunicarse con un Centro de Servicio BRONDELL autorizado para obtener un número de RMA (Autorización de Devolución de Mercancía). El comprobante de compra en forma de una copia del recibo original debe acompañar a la unidad devuelta para que la garantía sea válida. Lleve o envíe la unidad mediante mensajería prepagada al centro de servicio autorizado de BRONDELL más cercano junto con el número de RMA y el comprobante de compra. Para obtener el número de RMA y localizar el Centro de Servicio BRONDELL más cercano, llame al 1-888-542-3355, de lunes a viernes, de 9am-5pm PST.