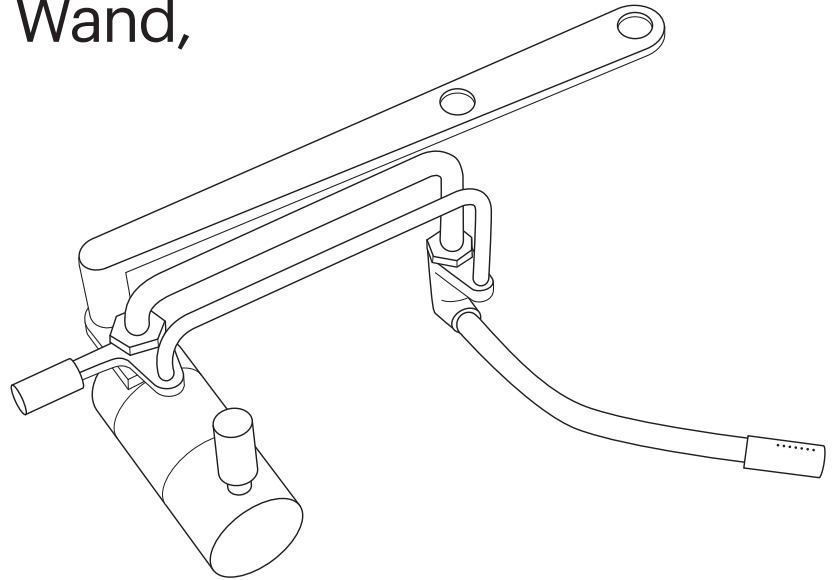


# Brondell®

## Side-Mounted Attachable Bidet with Adjustable Spray Wand, Dual Temperature

**Model:** SMB-25



### Features

- Warm and cool water bidet washes
- Adjustable water temperature
- Durable high-temperature hot water flex tubing
- High-quality metal  $\frac{3}{8}$ " T-Valve
- Durable zinc-plated, all-brass construction
- Manual swing-action arm lever controls nozzle positioning
- Adjustable water pressure
- SafeCore ceramic internal valve
- Stainless-steel  $\frac{3}{8}$ " T-valve with chrome finish
- Braided-metal cold water supply hose
- Simple, DIY installation and adjustable toilet fit
- No electricity or batteries required
- All accessories included for standard installation
- One-Year Warranty

### Technical Specifications

Technical Specifications	
Dimensions (L x W x H)	11.02" x 6.3" x 3.15" / 28 cm x 16 cm x 8 cm
Product Thickness	0.2" / 0.5 cm
Weight	2.27 lbs / 1.03 kg
Supply Water Pressure	14.5 psi–116.03 psi / 0.1 MPa–0.8 MPa
Incoming Water Temperature Range	32°F–158°F / 0°C–70°C
Flow Rate	2.0 g/min / 7.57 l/min
Internal Valve Material	Ceramic
Bidet Hose Length	15.7" / 40 cm
Bidet Hose Fitting/Connection Size	$\frac{1}{2}$ " x $\frac{3}{8}$ "
Cold Water T-Valve Connection Size	$\frac{7}{8}$ " x $\frac{7}{8}$ " x $\frac{1}{2}$ "
Hot Water T-Valve Connection Size	$\frac{3}{8}$ " x $\frac{3}{8}$ " x $\frac{3}{8}$ "
Hot Water Flex Tubing Length	78.7" / 2 m
Hot Water Flex Tube Rating	<158°F / <70°C / 150 psi / 1.03 MPa

**Brondell®**  
Feels better already.

**NOTE:** The specifications listed above are subject to change without prior notice for reasons of improving the product performance.

#22SMB25\_0314