



TR 3200 Shower Trolley

Hygiene Equipment
Designed for People



Multi-tasking shower trolley with endless application possibilities

The TR 3200 battery operated shower trolley (max patient weight 230 kg) is unique with its side mounted column, allowing the trolley stretcher to overlap the bed further for a safe and easy resident transfer.

The TR3200 comes in two sizes; standard as 1950 x 695 mm and the large version 2150 x 795 mm.

Both versions are available with on board battery solution or with removeable rechargeable batteries.



Registered at Medical Products Agency, Sweden, as a MD Class 1 product, MDR 2017/745.

TR reserves the right to make design changes and/or improvements without notice.



The TR3200 height adjustable Shower Trolley is a great solution to prevent back injuries and to minimize static load and offers a safe and ergonomic working environment for the caregiver.

The trolley provides a safe patient handling environment for both the resident and the caregiver as the offset columns allow for greater depth of overlap to the bed for patient transfers.



TR EQUIPMENT



TR 3200 Shower Trolley

Hygiene Equipment
Designed for People



Features

- Designed for easy cleaning and ease in mobility.
- Side mounted column for improved patient transfers.
- Maximum patient weight of 230 kg.
- Large patient care area at 640 or 740 mm.
- Easy change of designated head by mattress rotation.
- The side rails can be pressed together when travelling through narrow doorways reducing the trolley width.
- Floor clearance at 160 mm to enable floor lift transfers.
- Quiet and smooth height/tilt adjustable motion.
- The stretcher can easily be tilted to the "Trendelenburg" position, to alleviate person in shock.
- The chassis and sub-frames are made of stainless steel.
- All models comes with a battery charger, mattress, pillow and 1 m drainage hose as standard.
- Both versions Standard and Large are available with an on board battery solution or with removeable rechargeable batteries.
- Rubber bumper wheels on all four corners to protect walls and doorways.



Hand control for height/tilt adjustment



100 mm twin casters as standard.
2 broken and 2 straight steering



Flexible drainage hose with hose holder



TR3200 with TR2810 Shower Panel

Specifications

Length	Standard 1950 mm, Large 2150 mm
Width	Standard 695 mm, Large 795 mm with side rails in upright position
Height	Min 500 mm. Max 900 mm
Max Patient Weight	230 kg /500 lbs
Chassis / Frames	Powder coated stainless steel
Castors	100 mm twin castors. 2 with locking brakes and 2 straight steering.
Control	Hand control for height and tilt adjustment
Mattress, Pillow	Blue. Flame retardant material
Battery	On board; rechargeable, 24 V, 2 x 7Ah Removeable; 1 x 24 V, 5 Ah
IP Protection Class	IPX5

Models with on board batteries

TR 3200	Standard	1950 x 695 mm
TR 3200 L	Large	2150 x 795 mm

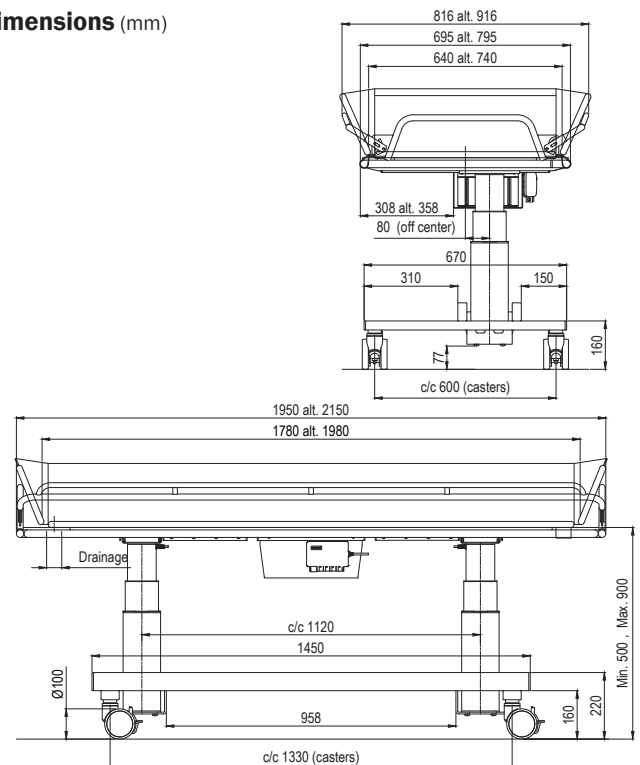
Models with rechargeable batteries

TR 3200 R	Standard	1950 x 695 mm
TR 3200 RL	Large	2150 x 795 mm

Accessories/Options

- Backrest wedge pillow, 15 or 30 degrees.
- All models can be delivered with blue (standard) or grey pillow.
- Fastners/straps for attachment on mattresses to siderails.
- Longer drainage hose 2,5 m, instead of 1 m as standard.

Dimensions (mm)



TR EQUIPMENT