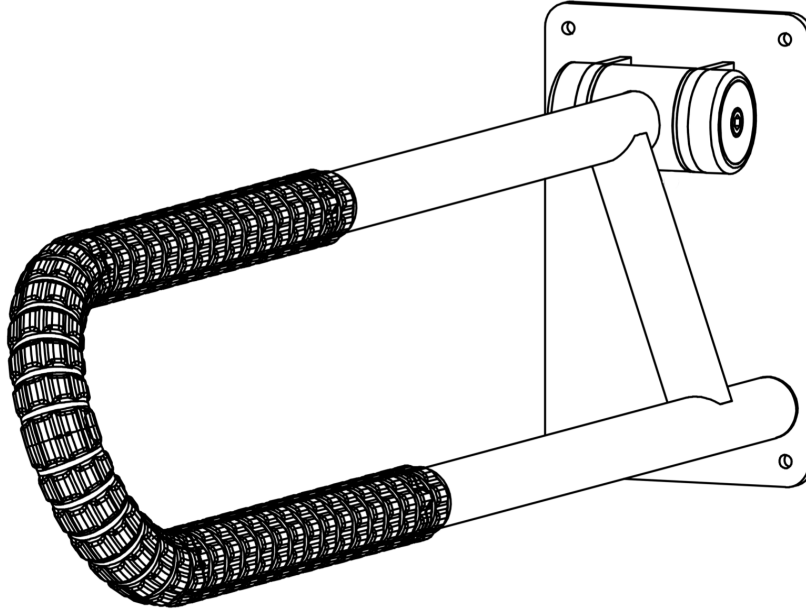


# HINGED GRAB BAR with SafetyGrip®

Model SG775



**SG775 R**

## Table of Contents

- Warnings and Cautions for Hinged Grab Bar (1 Pages)
- SG775 Installation Instruction (6 Pages)

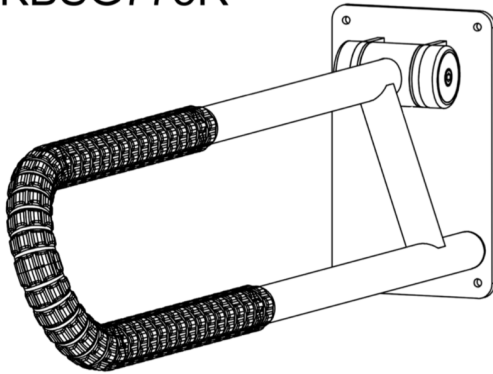
## Specifications:

- Product Name: Hinged Grab Bar
- Product#: SG775

# KIT CONTENTS

**Note:**  
**This Kit will have only One SG775R - Right Side**  
**or One SG775L - Left Side**

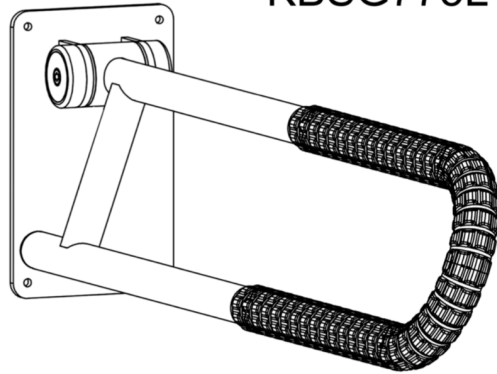
KBSG775R



RIGHT SIDE

OR

KBSG775L



LEFT SIDE



**#14 WOOD SCREWS**

## Tools Required

Safety Glasses

Power Drill.

5/32 inch drill bit for pilot holes for the wood screws.

Philips screw driver.

Pencil

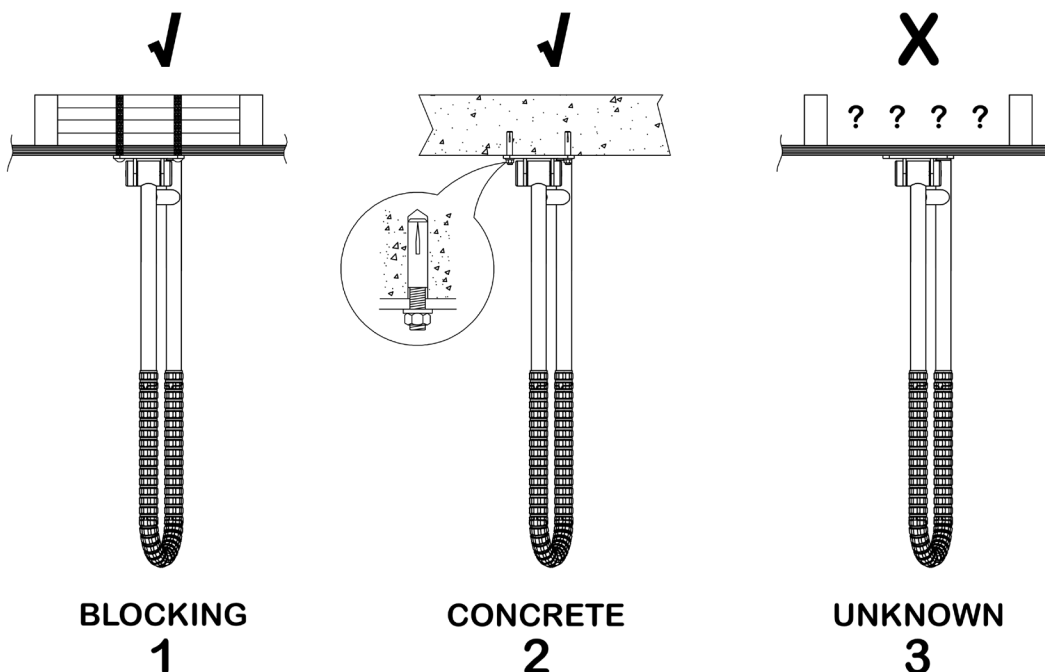
# PRODUCT INFORMATION

- The Hinged Grab Bars feature our patented interlocking SafetyGrip® and the long-lasting protection of embedded antimicrobial AlphaSan® RC5000 silver ions powder for all parts except hardware. For more details about AlphaSan®
- Our advanced design uses an offset Grab Bar system to give your wrists more support when you are sitting down or standing up.

# INSTALLATION

## Wall Requirements

- The SG775 Hinged Grab Bar is designed to assist with sit-up, reposition, balance, stand or transfer for persons weighing up to 350lbs (158kg). **It is not designed or intended to take the full weight of the user.**
- For heavy use or higher weight capacity we recommend that two SG775 are used, one on either side of the user.
- The SG775R is installed on the right side of the toilet or chair etc. when the user is seated. The SG775L is opposite.
- The SG775 must be installed onto walls that are structurally sound and strong. Add blocking or reinforcing if required. **See 1.**
- When installing onto steel stud or concrete walls the correct fasteners or anchor bolts must be used. These fasteners or anchor bolts are not supplied in this Kit. **See 2.**
- Do not install onto walls when the structure behind the wall is unknown. **See 3.**
- When raising the Hinge Grab Bar for storage be aware of, and use caution, for potential pinch points at the hinge area and between the arm and the wall.



### STEP 1: Find What Is Behind Your Wall Panelling

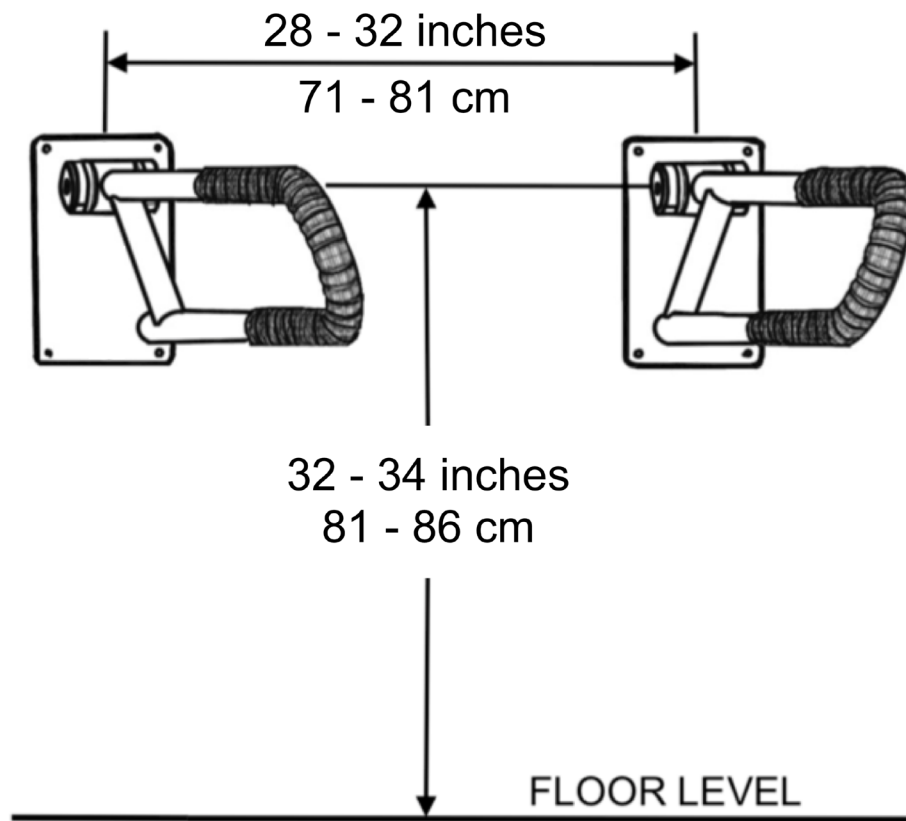
First put on Safety Glasses. Be sure that you know what is hidden behind your wall panelling where you want to mount your hinged grab bar. **See Illustration 1.**

### STEP 2: Choose What Mounting Option For Your Hinged Grab Bar

**Illustration 1** has suggestions to help you.

### STEP 3: Decide How High And Wide You Want The Grab Bar

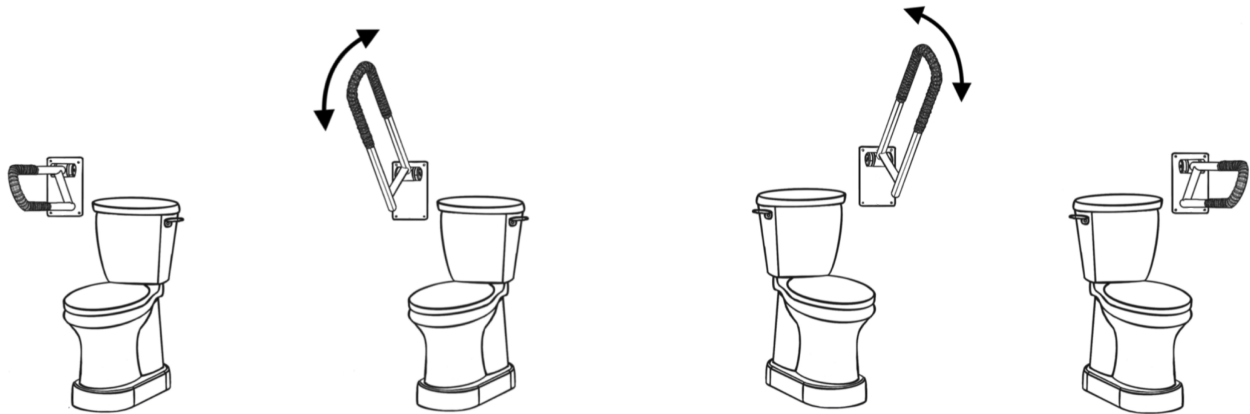
Now you can decide how high that you want the Hinged Grab Bar to be from the floor. The top arm should be a comfortable height for the user when they are standing.



**ILLUSTRATION 2**

## STEP 4: Install the Hinged Grab Bar

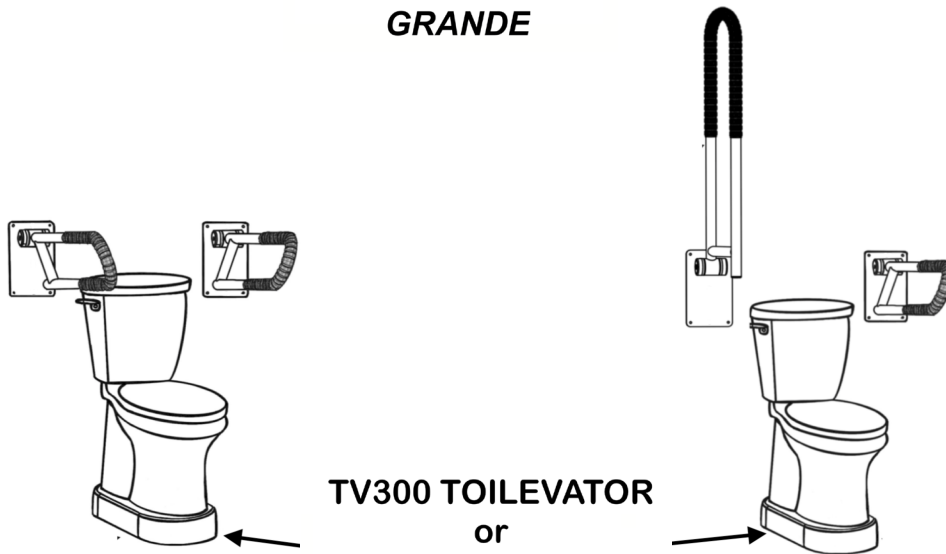
Securely and correctly install according to your mounting choice.



**SG775R**  
RIGHT HAND

**TV300 TOILEVATOR**  
or  
**TVG350 TOILEVATOR**  
**GRANDE**

**SG775L**  
LEFT HAND



**TV300 TOILEVATOR**  
or  
**TVG350 TOILEVATOR**  
**GRANDE**

**SG775R & SG775L**

**ARM IN STORED POSITION**

- In these positions we also show our Atlas-Toilevator and Atlas-Toilevator HD, which will raise your toilet seat to the ADA recommended height, very discreetly. These products also make it easier to sit onto and get up from the toilet.
- The above positions all show the KBSSG775 being used with a toilet. They can also be of assistance to users for sitting onto and getting up from sofas, easy chairs, regular chairs etc.

# MAINTENANCE AND CLEANING

- **VERY IMPORTANT:** It is important to inspect the Product(s) frequently.
- Stop using immediately if damaged or broken, or if parts are missing.
- Stop using immediately if Product(s) shift out of the original installed position(s) until they are readjusted into the correct position.
- To clean, use a damp cloth with soap and water or mild household cleaner, wipe clean and dry before using.

## Warranty

For Warranty details, refer to the Warranty details on the Hartmobility Inc.



**Questions. Comments. Concerns.**

Hartmobility reserves the right to update and revise our products. Refer to our website for the most up-to-date version of this document.

