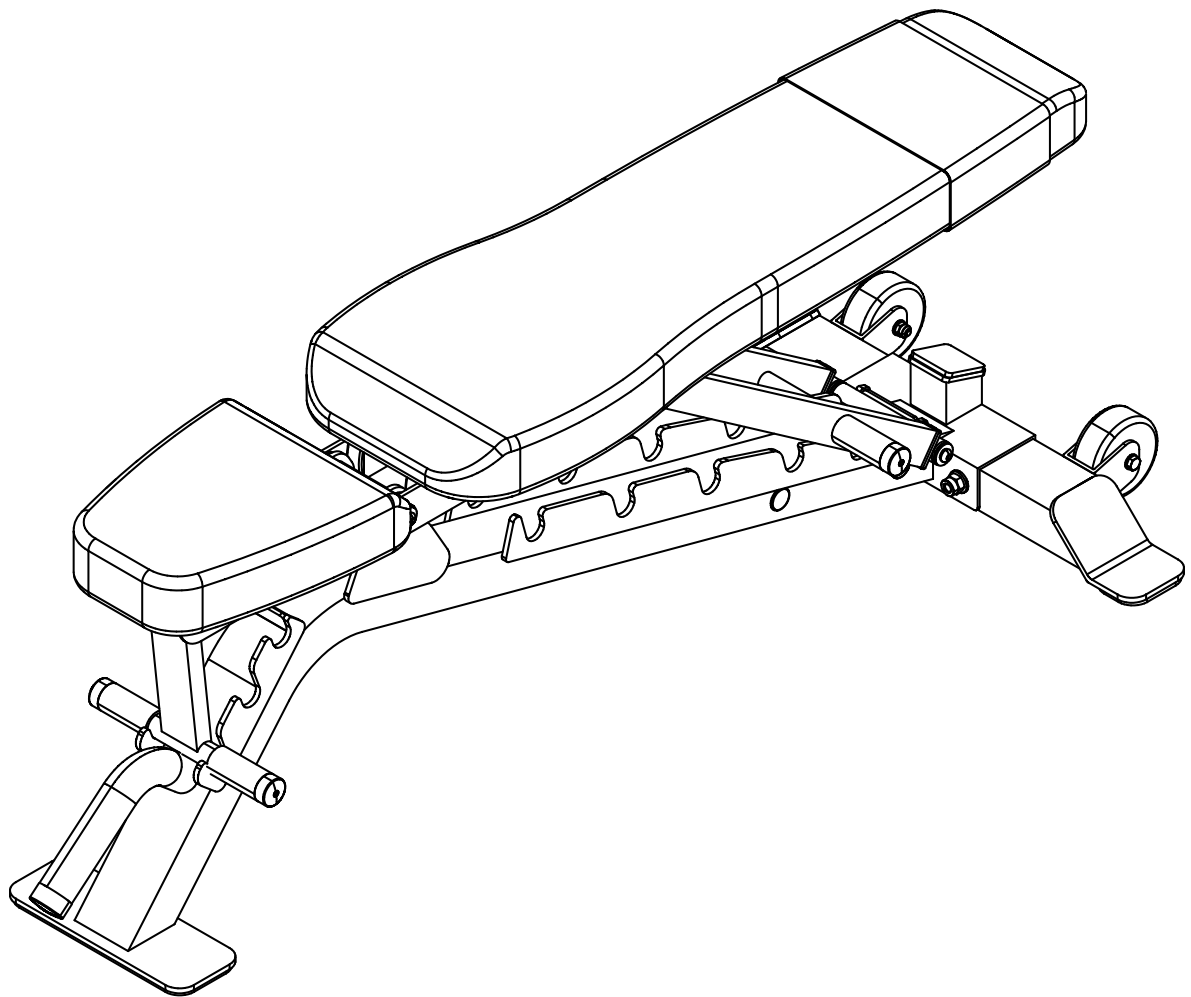


**Body-Solid**<sup>®</sup>  
Built for Life

**SFID325**



Assembly

Instructions

**OWNER'S & MANUAL**

030716-V21

**STEP****1****Be careful to assemble all components in the sequence they are presented.****NOTE:**

Finger tighten all hardware in this step. Do Not wrench tighten until end of step 2.

**A.** Attach rear leg (C) to mainframe (A) as shown using:

**two 18 (Hex Bolt M12 X 105mm)**

**four 23 (Flat Washer 12mm)**

**two 27 (Nylon Lock Nut M12)**

**B.** Attach two End Cap (16) to Back Pad Support structure (B) handle as shown using:

**two 16 (End Cap Ø25)**

**two 29 (spring washer 6mm)**

**C.** Attach two End Cap (16) to Seat Support Structure (D) handle as shown using:

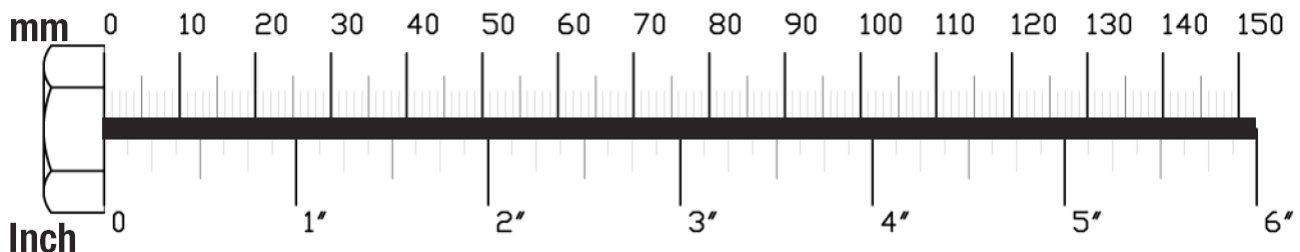
**two 16 (End Cap Ø25)**

**two 29 (spring washer 6mm)**

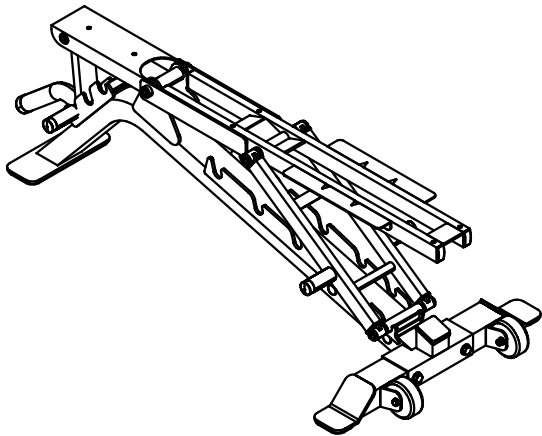
**D.** Attach two End Cap (17) to mainframe (A) front handle as shown using:

**one 17 (End Cap Ø30)**

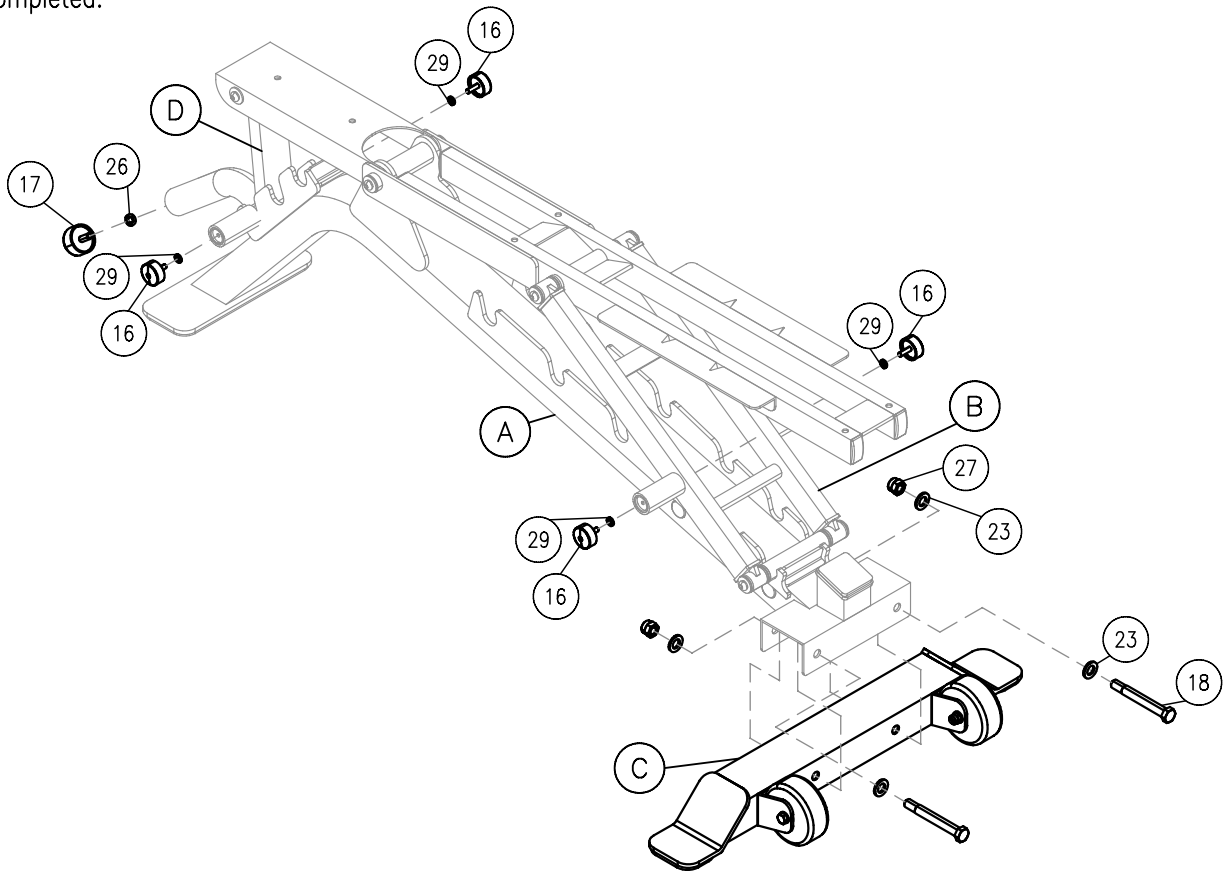
**one 26 (spring washer 8mm)**



**STEP**  
**1**



Above shows STEP 1 assembled and completed.



**STEP****2****Be careful to assemble all components in the sequence they are presented.****NOTE:**

**Finger tighten all hardware in this step. Do Not wrench tighten until end of step 2.**

**A.** Attach Back Pad (8) with Pad Wrap (9) to Back Pad Structure (E) as shown using:

**four 20 (hex bolt M8 x 55 mm)**

**four 26 (spring washer 8mm)**

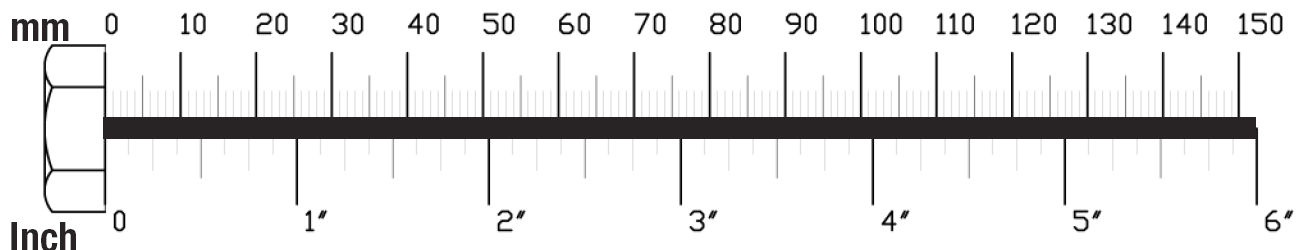
**four 25 (flat washer 8mm)**

**B.** Attach Seat Pad (7) to Seat Pad Structure (F) as shown using:

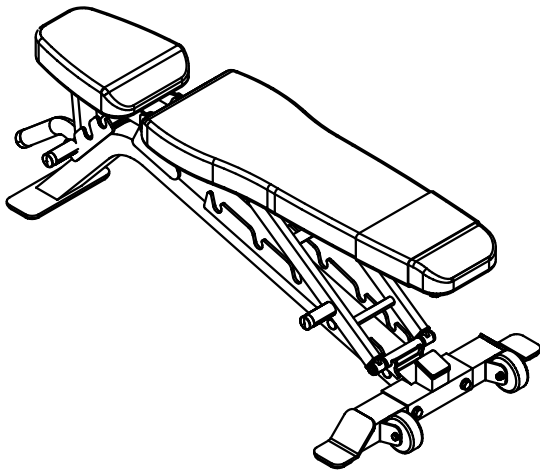
**two 21 (hex bolt M8 x 21 mm)**

**two 26 (spring washer 8mm)**

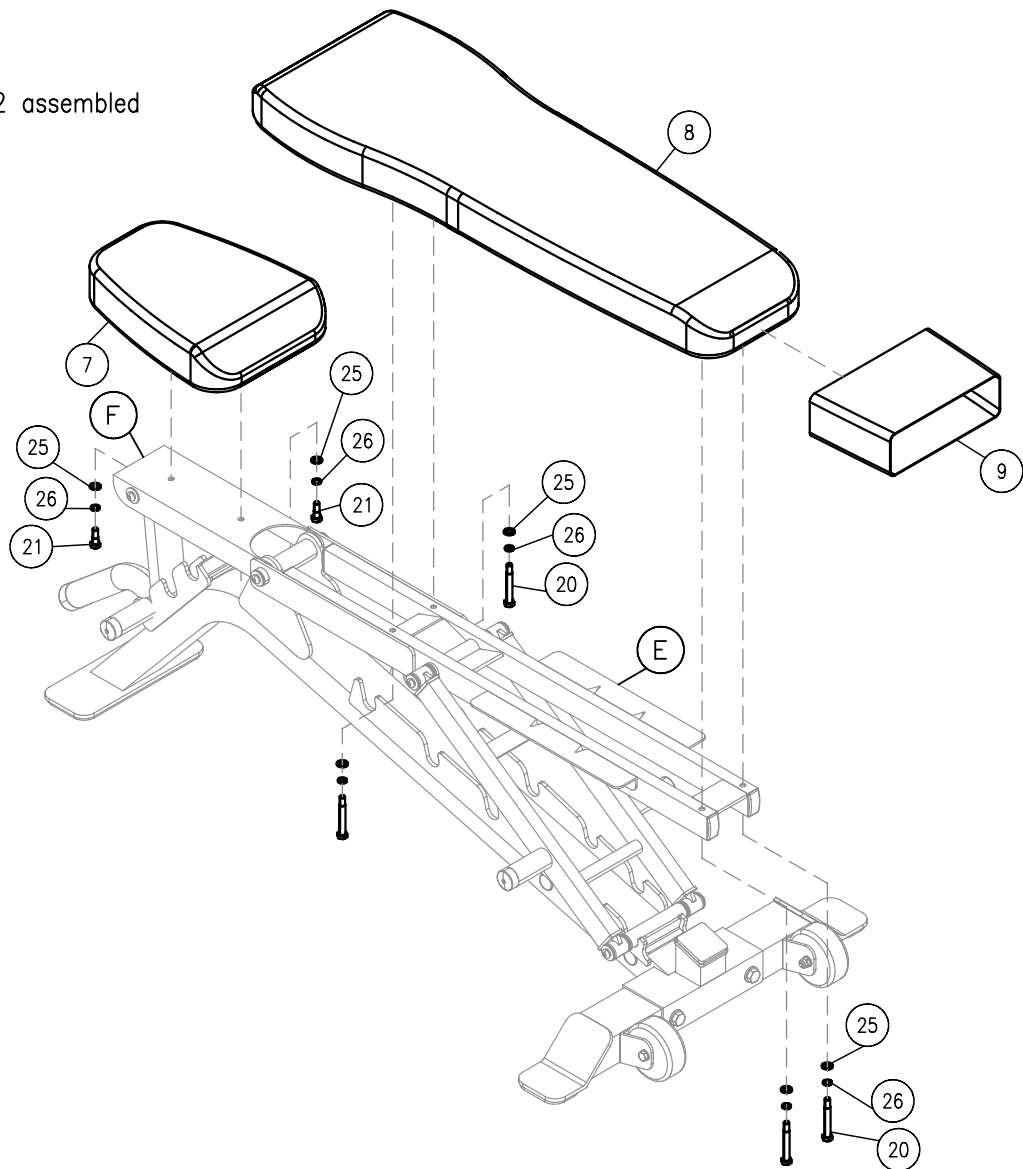
**two 25 (flat washer 8mm)**



**STEP**  
**2**

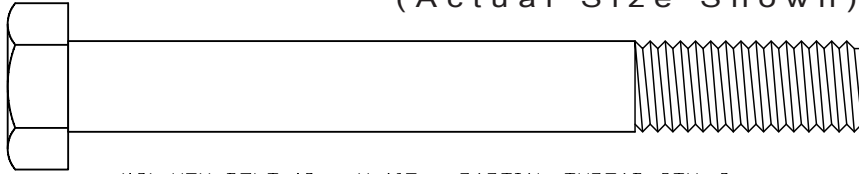


Above shows STEP 2 assembled and completed.

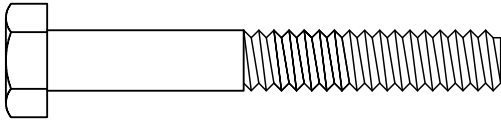


# S F I D 3 2 5 Hardware

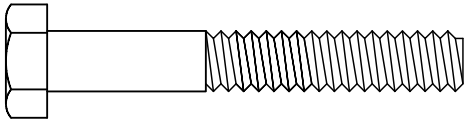
(Actual Size Shown)



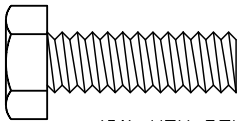
(18) HEX BOLT 12mm X 105mm PARTIAL THREAD QTY. 2



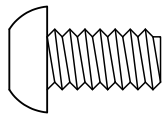
(19) HEX BOLT M8 X 60mm PARTIAL THREAD QTY. 2



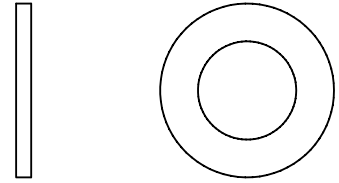
(20) HEX BOLT M8 X 55mm PARTIAL THREAD QTY. 4



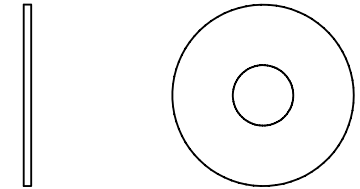
(21) HEX BOLT M8 X 25mm PARTIAL THREAD QTY. 2



(22) ROUND ALLEN HEAD M8 X 15mm FULL THREAD BOLT QTY. 8



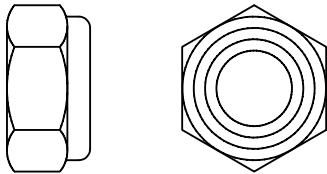
(23) FLAT WASHER 12mm QTY.4



(24) BIG FLAT WASHER 8mm QTY. 8



(25) FLAT WASHER 8mm QTY. 10



(27) NYLON LOCK NUT 12mm QTY. 2



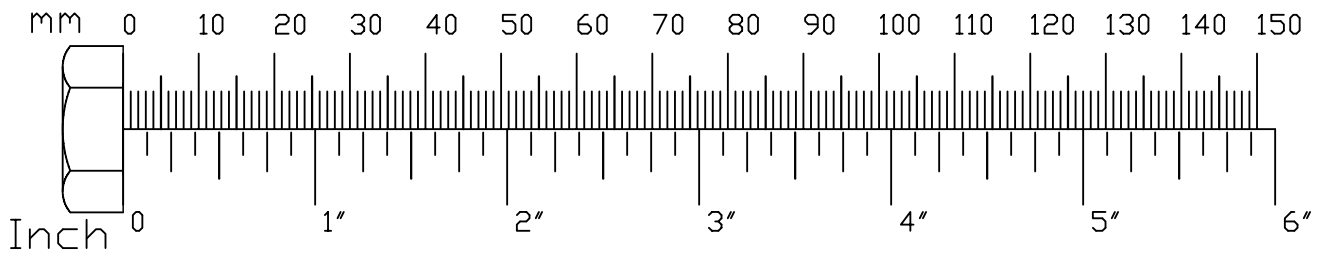
(26) SPRING WASHER 8mm QTY. 15



(28) NYLON LOCK NUT 8mm QTY. 2



(29) SPRING WASHER 8mm QTY. 4



# Mainframe Parts List

<b>Part#</b>	<b>Qty</b>	<b>Description</b>
1	2	shaft
2	4	Long Bushing
3	10	Short Bushing
4	2	Bushing $\Phi$ 30
5	1	Seat Pad Structure Shaft
6	1	Main Pivot Shaft
7	1	Seat Pad
8	1	Back Pad
9	1	Pad Wrap
10	1	Back Frame Support Tubing
11	2	Back Pad Structure End Cap
12	2	Transfer Wheel
13	1	Front Handle Foam Grip
14	4	Side Handle Foam Grip
15	4	Plug
16	4	End Cap $\Phi$ 25
17	1	End Cap $\Phi$ 30
18	2	Hex Bolt M12 X 105mm
19	2	Hex Bolt M8 X 60mm
20	4	Hex Bolt M8 X 55mm
21	2	Hex Bolt M8 X 25mm
22	8	Round Allen Head Bolt M8 X 15mm
23	4	Flat Washer 12mm
24	8	Big Flat Washer 8mm
25	10	Flat Washer 8mm
26	14	Spring Washer 8mm
27	2	Nylon Lock Nut M12
28	2	Nylon Lock Nut M8
29	4	Spring Washer 6mm
30	2	Spring Washer 10mm
31	1	Round Allen Head Bolt M10 X 20mm
32	1	Back Pad Rubber Stopper
A	1	Bottom Frame
B	1	Rear Frame
C	1	Rear Leg
D	1	Seat Pad Support Frame
E	1	Back Pad Frame
F	1	Seat Pad Board





**NOTE**

*Body-Solid*<sup>®</sup>  
Built for Life