

SERVICE MANUAL

Let's Go Indoor rollator
from Trustcare



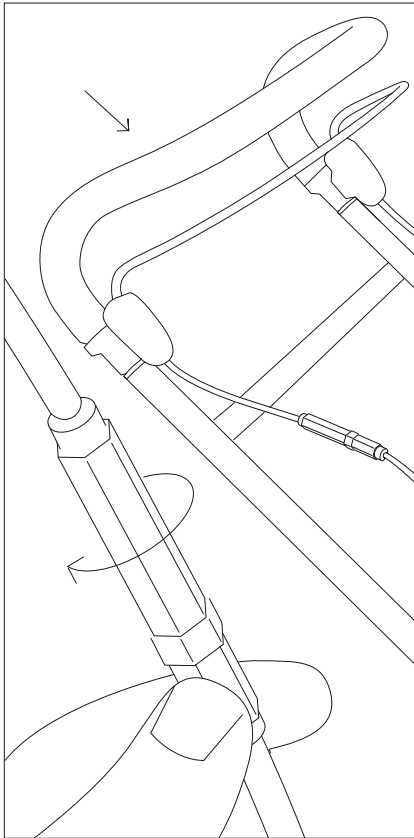
TABLE OF CONTENTS

Exchange of brake wire	Page 3
Exchange of locking claw for tray support ring	Page 4
Exchange of tray ring joint	Page 5
Exchange of brake housing	Page 6
Exchange of central joint and joint cover	Page 7
Exchange of handle tube, rubber and bushings	Page 8
Exchange of wheel	Page 9
Exchange of tray support ring	Page 10
Mounting of rear wheel mounting bracket	Page 11

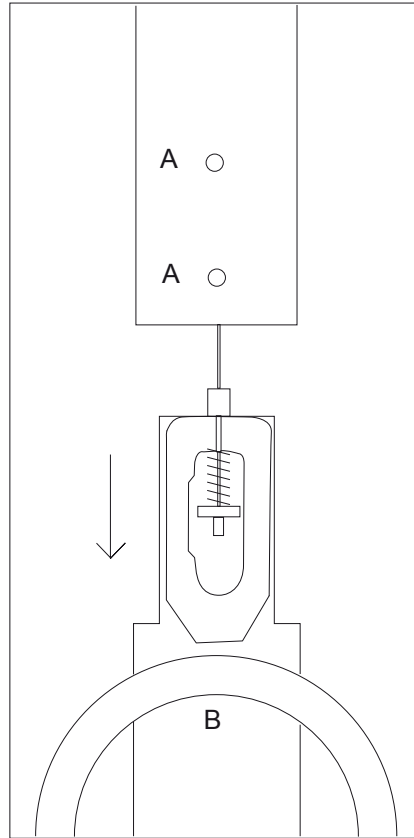
Exchange of brake wire.

Let's Go Spare part. Art. No. 1097, 1098.

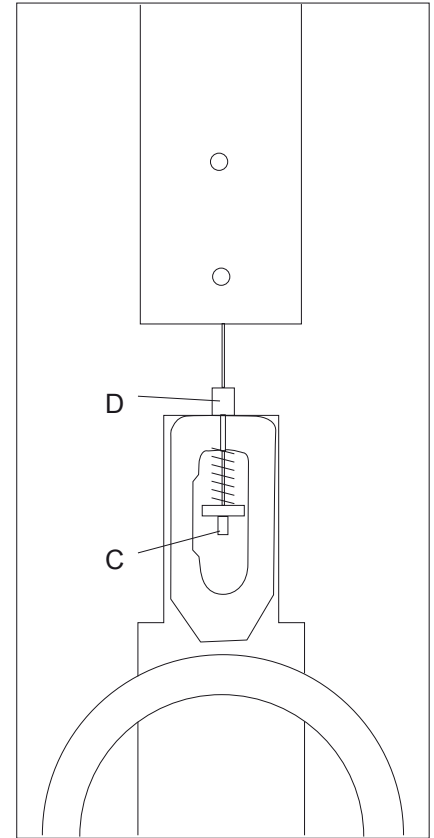
Let's Go Service Manual. Revision version No: 1 – Jan 2016



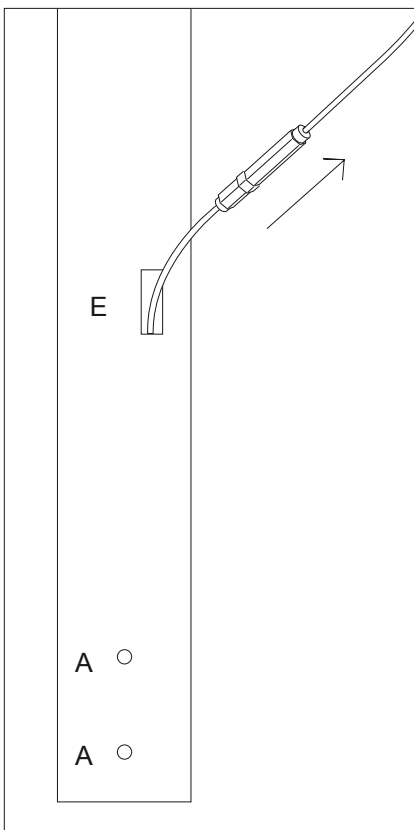
1. Adjust the handle to lowest position and the wire tension screws for lowest wire tension.



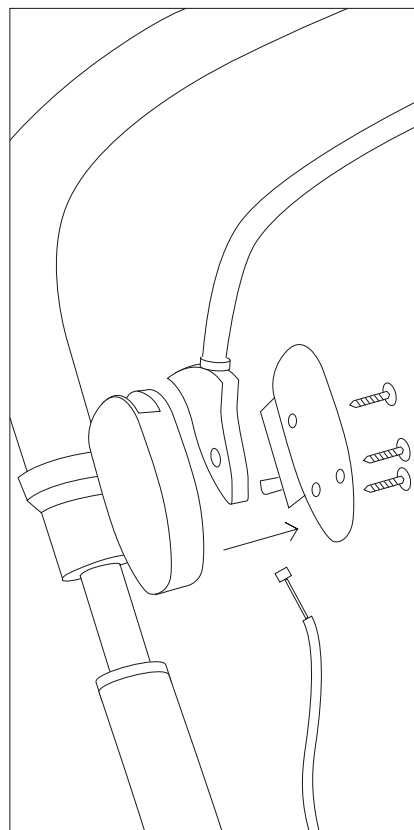
2. Unscrew the two screws A on the rear leg and pull out the bracket B where the wheel is mounted.



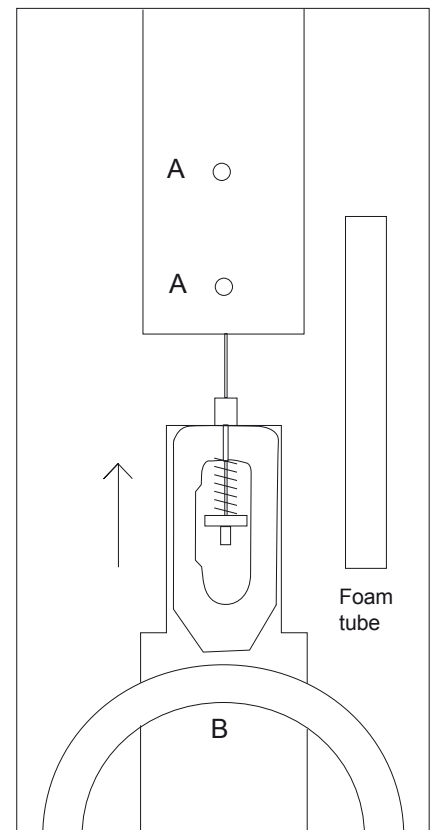
3. Remove the wire at C and remove the sleeve at D. Remove the wire from the yoke.



4. Pull out the wire through the slot at E.



5. Unscrew the three screws on the brake housing and take out the wire fixture. Remove the wire entirely.

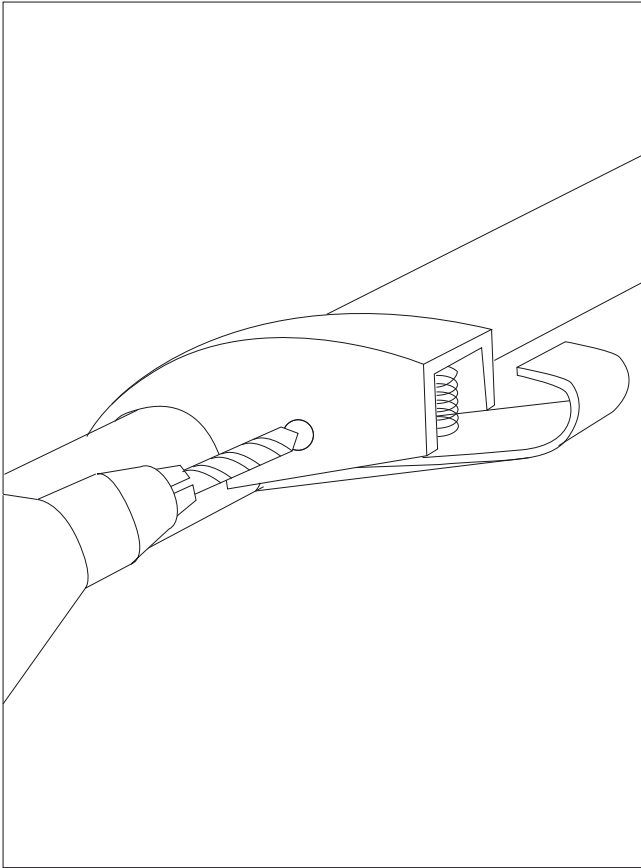


6. Mount the new wire in exactly opposite order. Don't forget the foam tube around the wire!

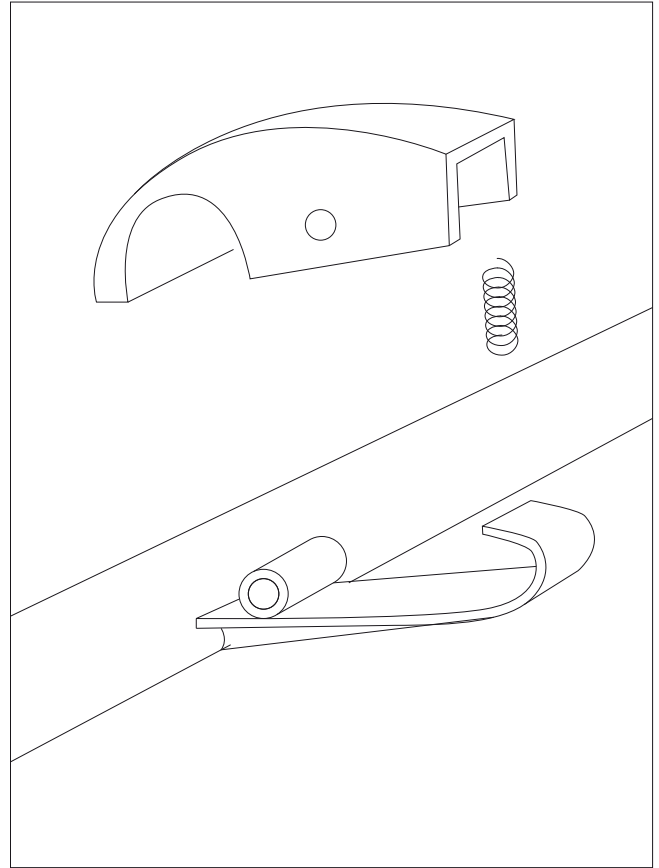
Exchange of locking claw for tray support ring.

Let's Go Spare part. Art. No. 1101.

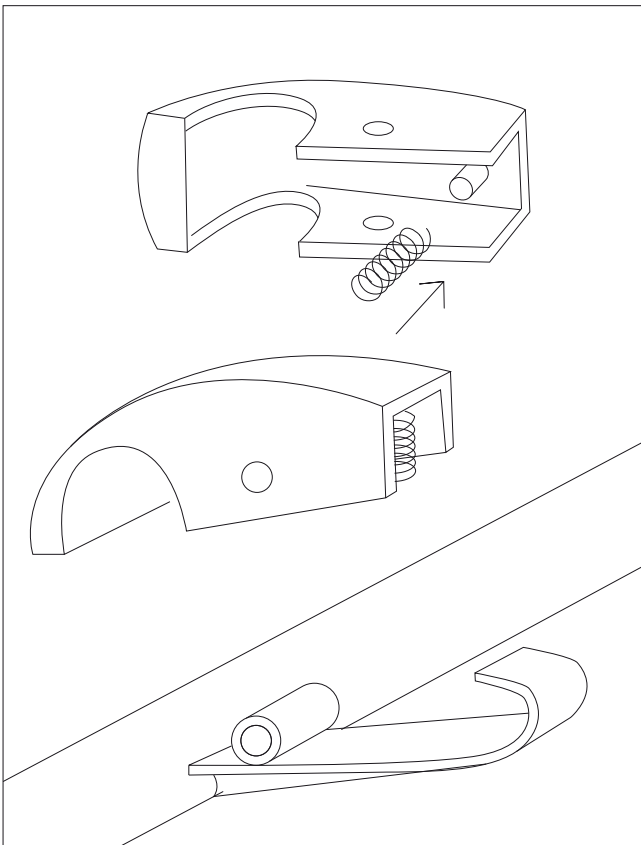
Let's Go Service Manual. Revision version No: 1 – Jan 2016



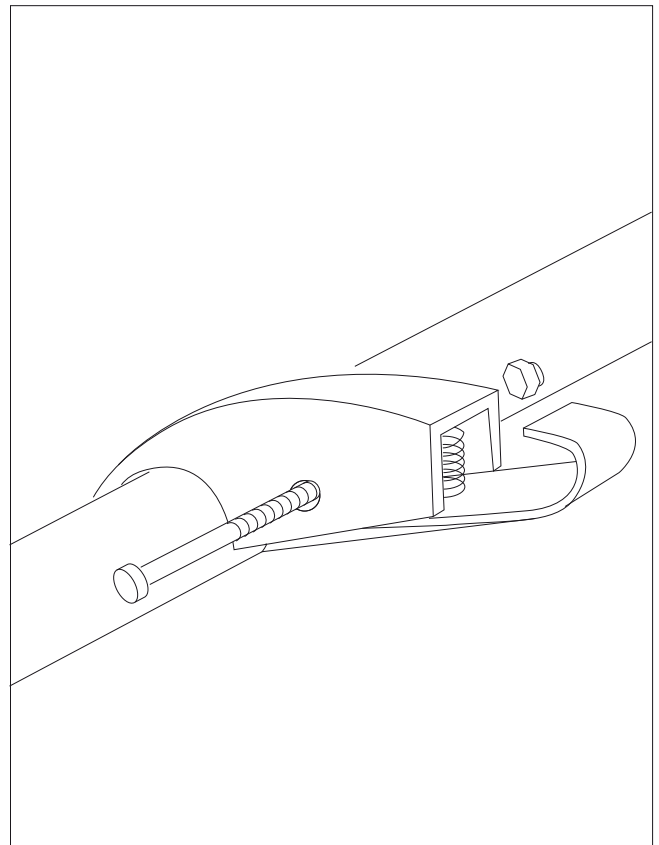
1. Drill out the rivet that holds the claw.



2. Remove the claw and the spring.



3. Put the new claw in place. The spring should be mounted on the peg inside.

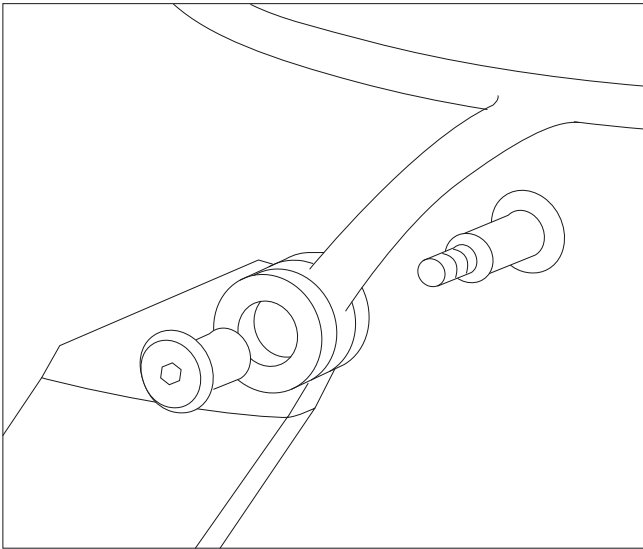


4. Mount the claw with the screw and the nut. Check that the spring is correctly mounted inside.

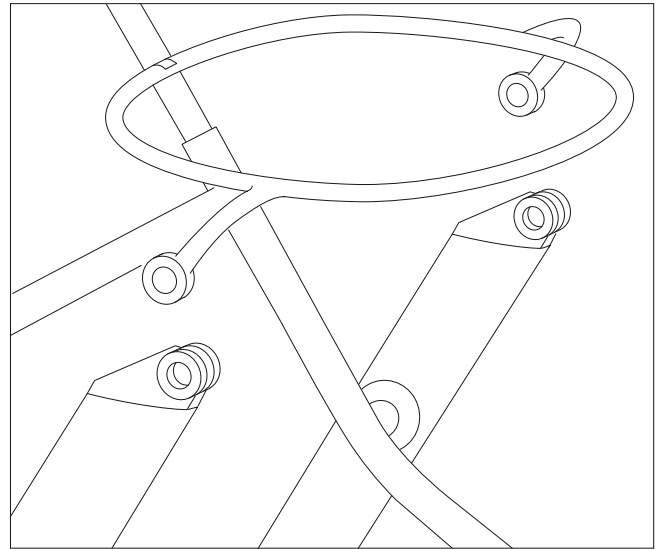
Exchange of tray ring joint.

Let's Go Spare part. Art. No. 1103.

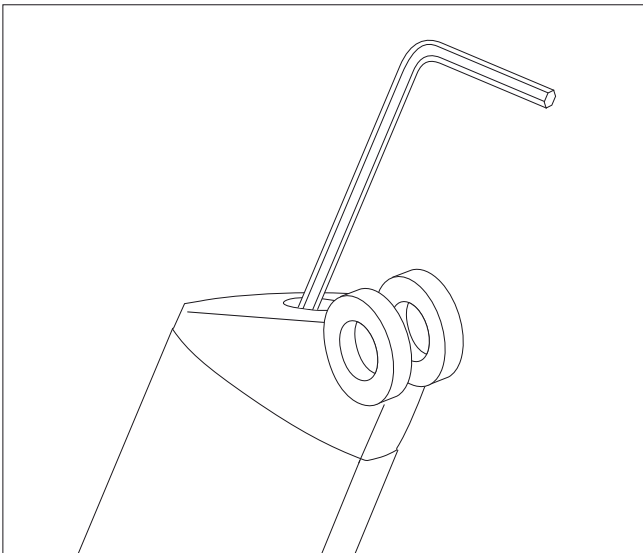
Let's Go Service Manual. Revision version No: 1 – Jan 2016



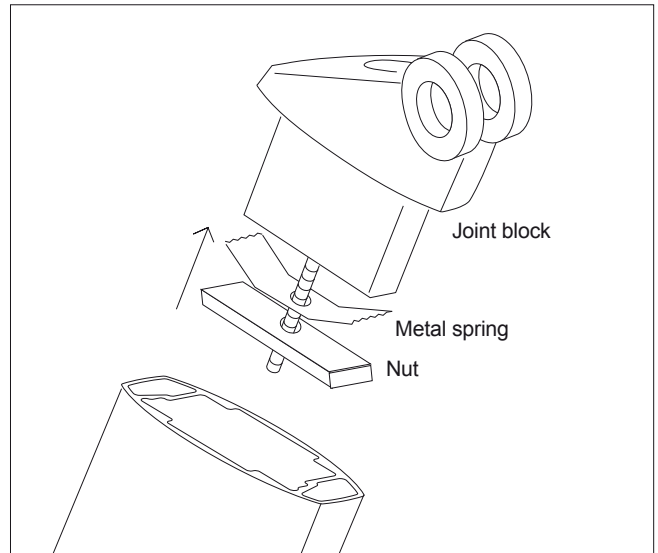
1. Unscrew the double screws, both sides.



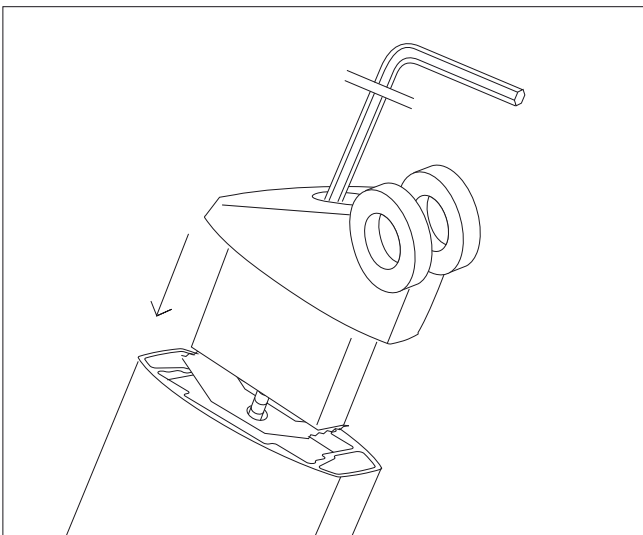
2. The tray ring can now be easily removed.



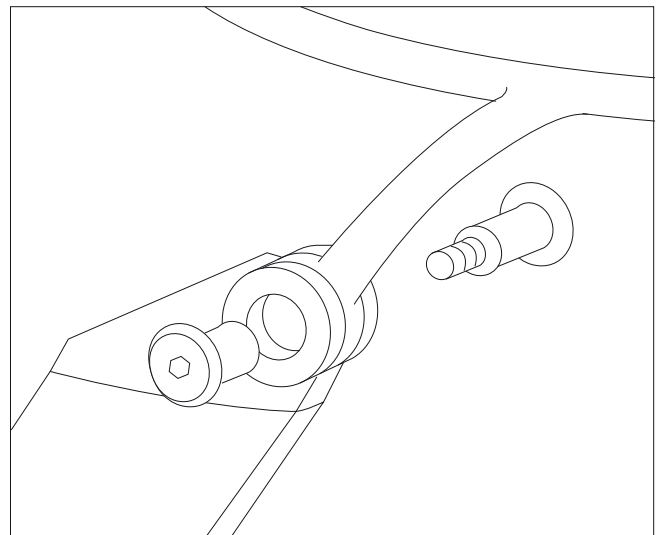
3. Unscrew the screw inside the joint long enough to make it possible to pull the joint up.



4. Pull up the joint block not losing any of the parts inside the leg profile.



5. Put the new joint inside the leg and tighten the screw so that the metal spring fixes the joint in the leg.

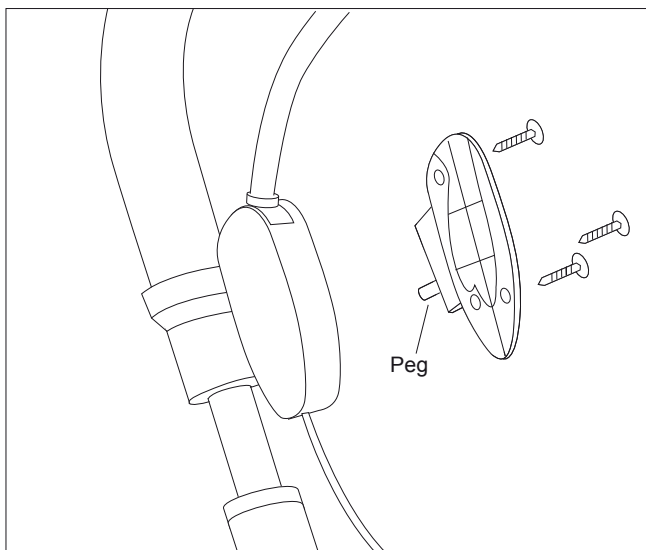


6. Screw back the tray support ring into the joints, both sides.

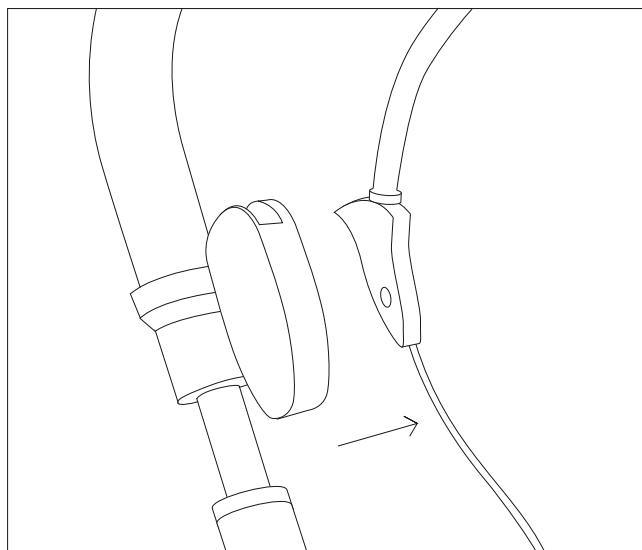
Exchange of brake housing.

Let's Go Spare part. Art. No. 1096.

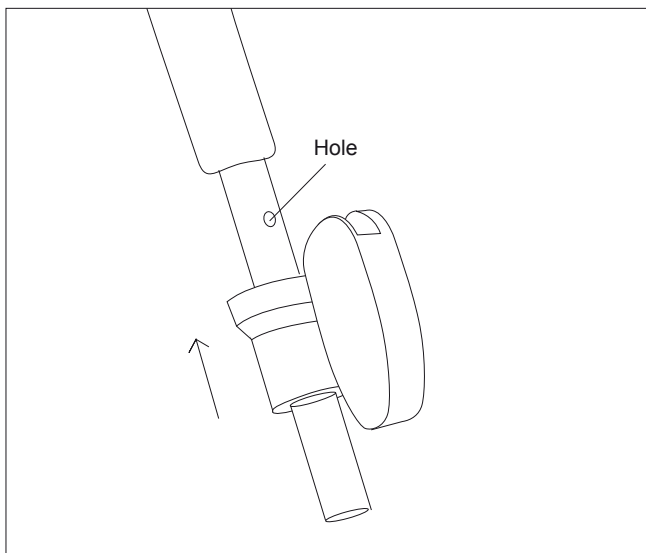
Let's Go Service Manual. Revision version No: 1 – Jan 2016



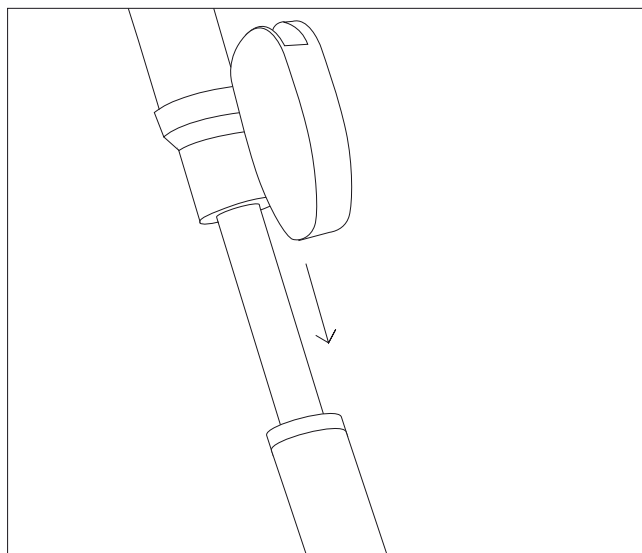
1. To exchange the brake housing, first unscrew the brake housing covers on both sides of the handle tube.



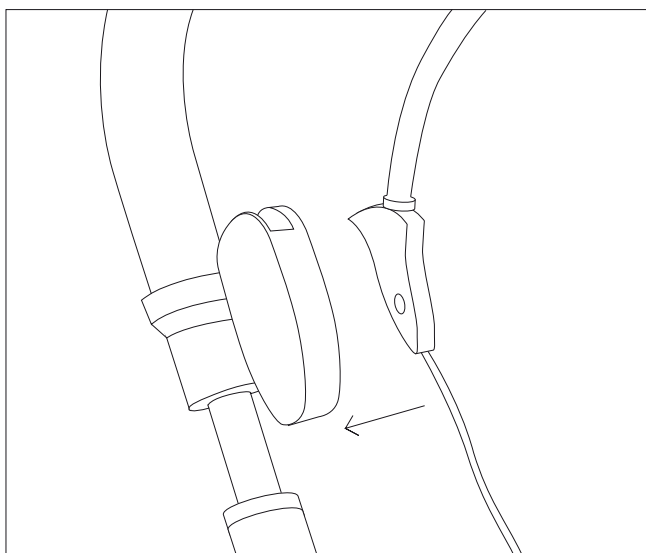
2. Remove the wires and brake bow from the brake housing, both sides. Pull up the handle from the rollator.



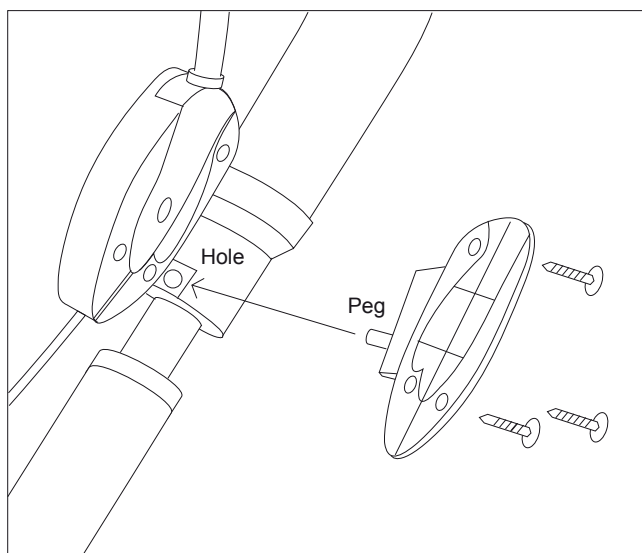
3. Remove the old brake housing and put on the new one.



4. Put back the handle tube into the front leg tube of the rollator.



5. Put back the wire, the wire fixture and the brake bow inside the brake housing.

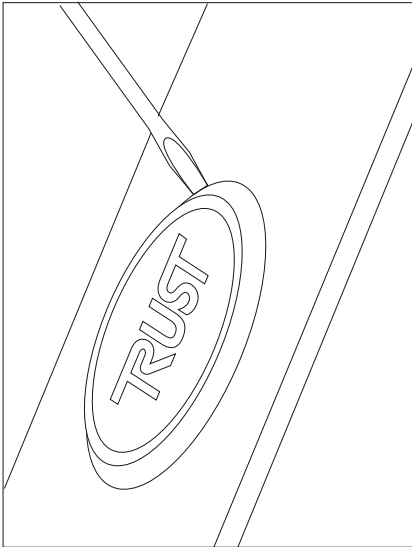


6. Screw back the cap tight. NB! The peg on the cover must fit into the hole in the aluminum tube!

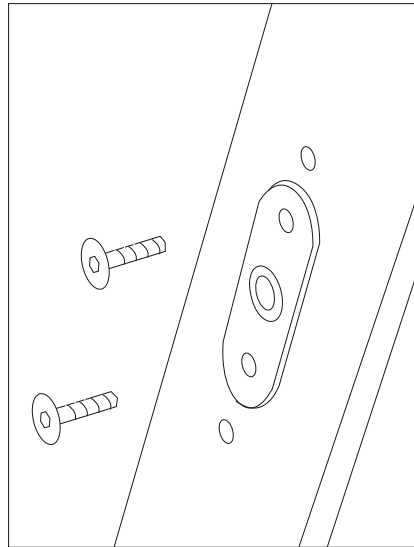
Exchange of central joint and joint cover.

Let's Go Spare part. Art. No. 1108 and 2221.

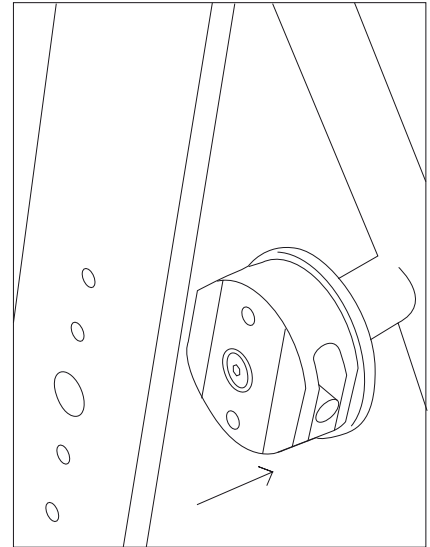
Let's Go Service Manual. Revision version No: 1 – Jan 2016



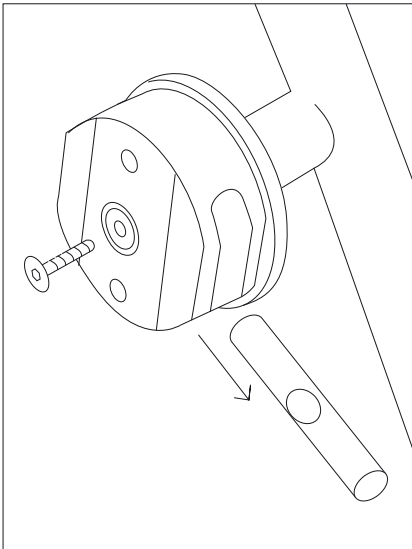
1. Remove the joint cover carefully with a screwdriver.



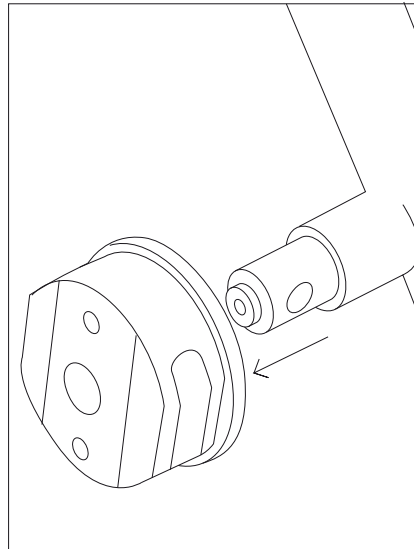
2. Unscrew the two bigger screws and the metal washer.



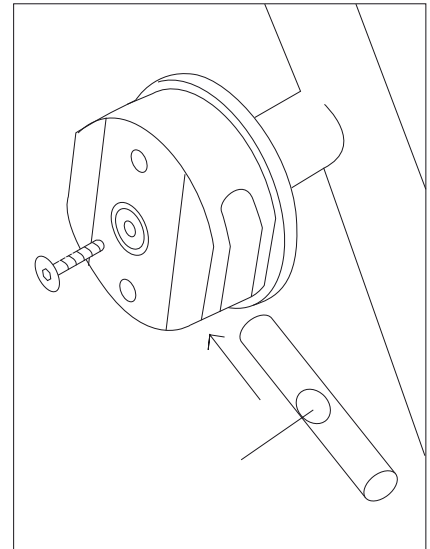
3. The old central joint can now be taken out from the rear leg.



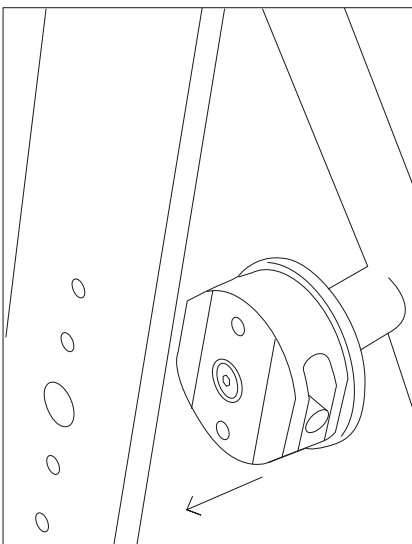
4. Unscrew the middle screw and push out the metal bar from the axle.



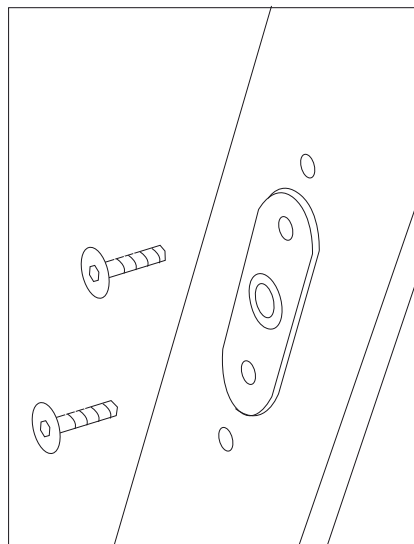
5. Take off the central joint. Put the new one in its place.



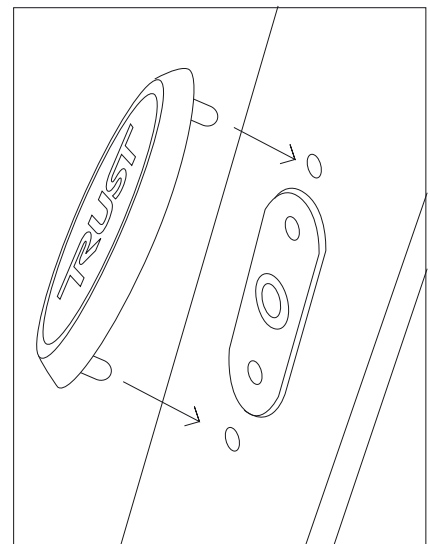
6. Put in the metal bar and screw back the middle screw.



7. Put the central joint into the rear leg.



8. Screw back the two screws and the metal washer.

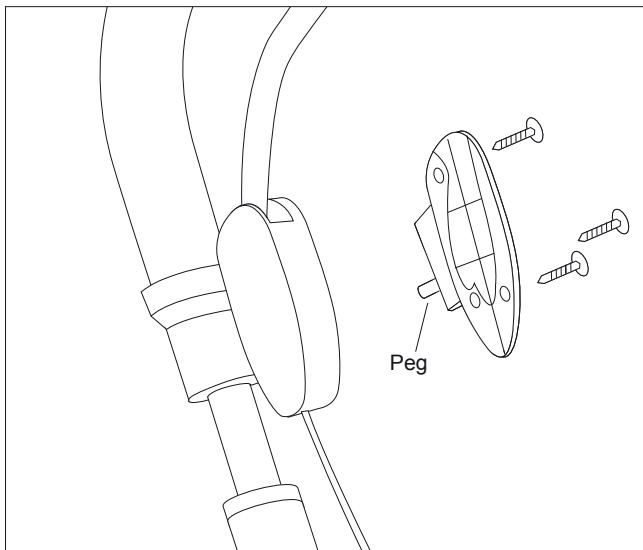


6. Snap the joint cover in place.

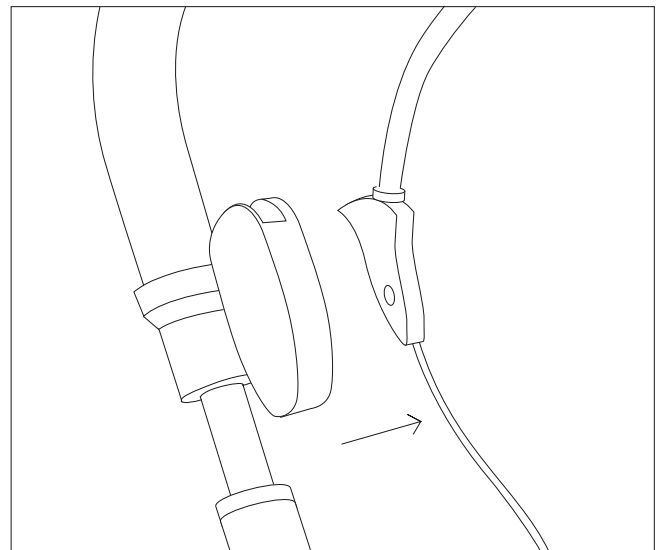
Exchange of handle tube, rubber and bushings.

Let's Go Spare part. Art. No. 4000 and Art. No. 1094.

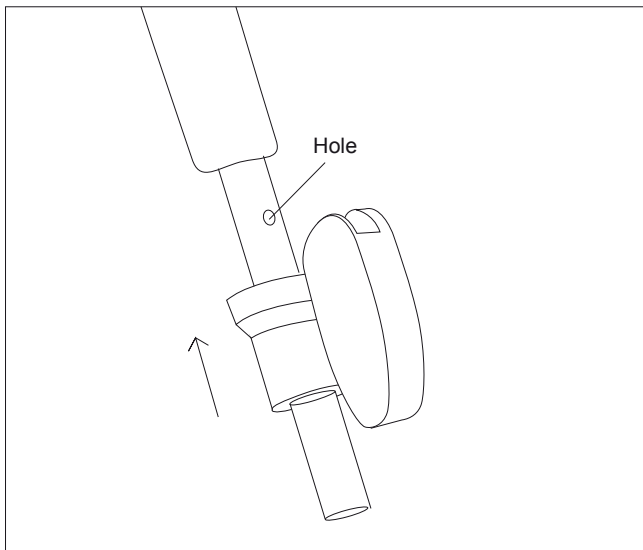
Let's Go Service Manual. Revision version No: 1 – Jan 2016



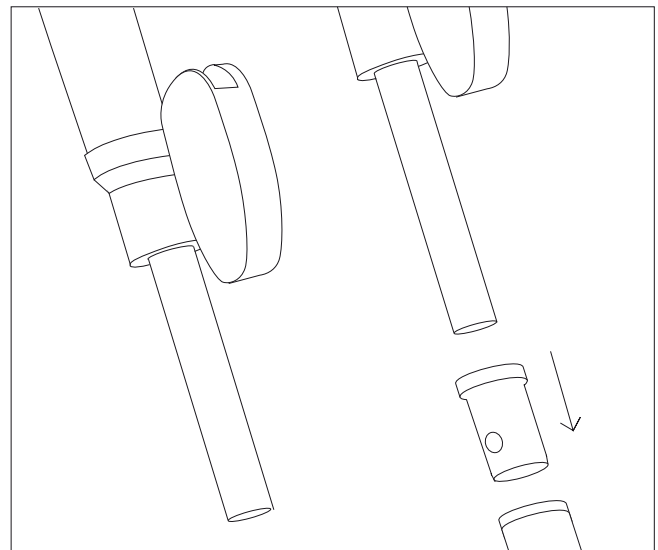
1. To exchange the Handle, first unscrew the brake housing covers on both sides of the handle tube.



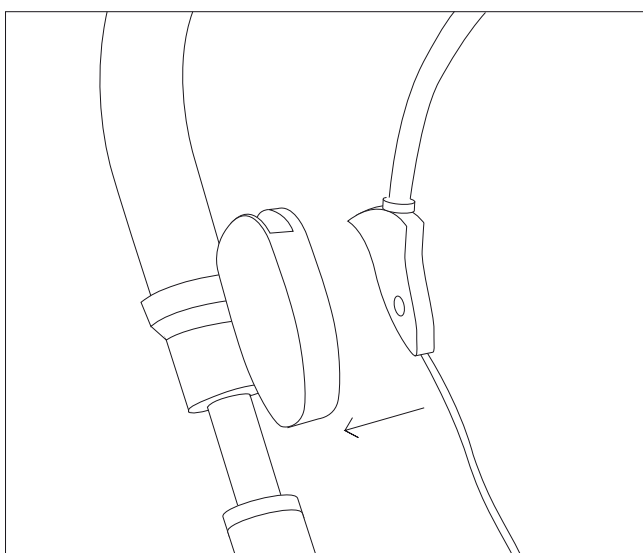
2. Take out the wires and brake bow from the brake housing, both sides. Pull up the handle from the rollator.



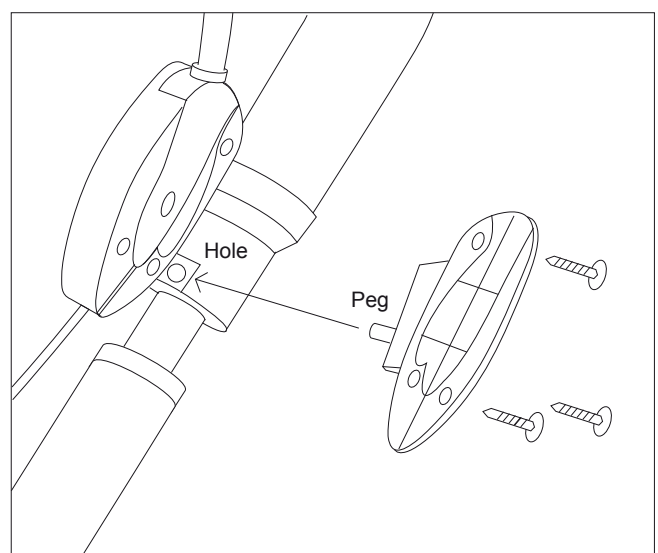
3. Before replacing the handle tube, move the brake housings to the new handle tube.



4. Now the handle tube with rubber can be replaced. Replace also the bushings.



5. Put back the wire, the wire fixture and the brake bow inside the brake housing.

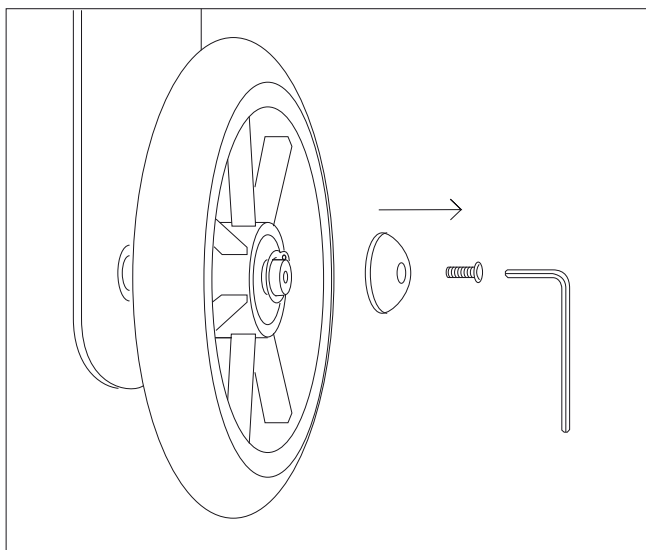


6. Screw back the cap tight. NB! The peg on the cover must fit into the hole in the aluminum tube!

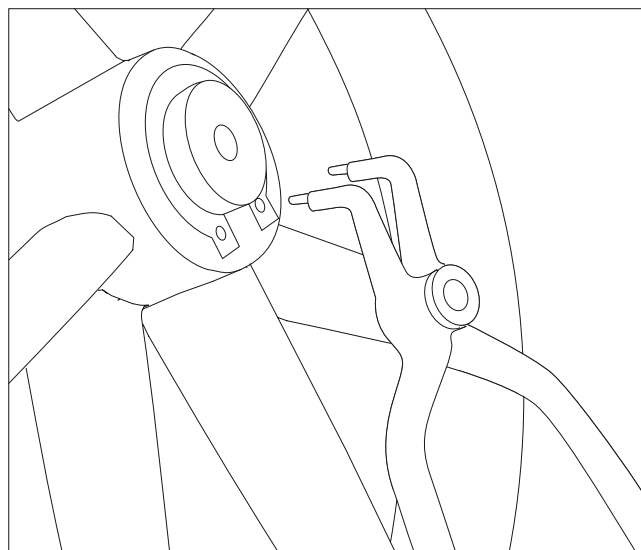
Exchange of wheel.

Let's Go Spare part. Front Art. No. 1131. Rear Art. No. 1141.

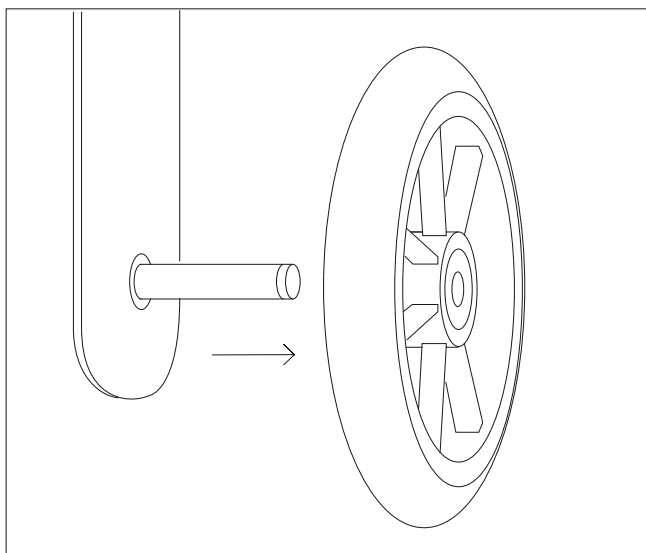
Let's Go Service Manual. Revision version No: 1 – Jan 2016



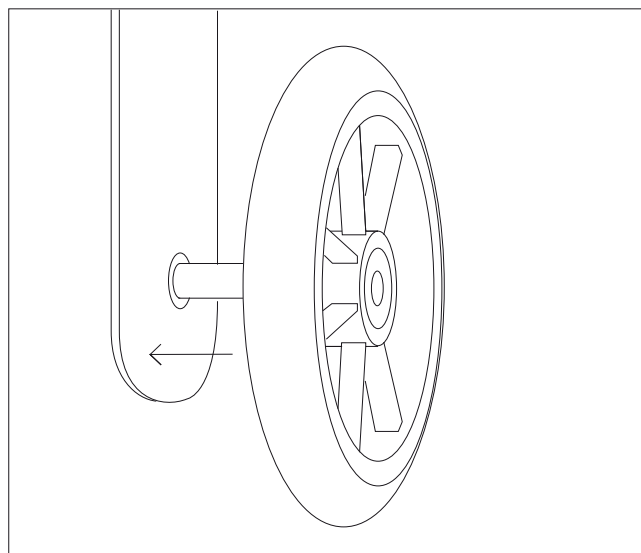
1. To replace the wheel, remove the wheel cap with an Allen key.



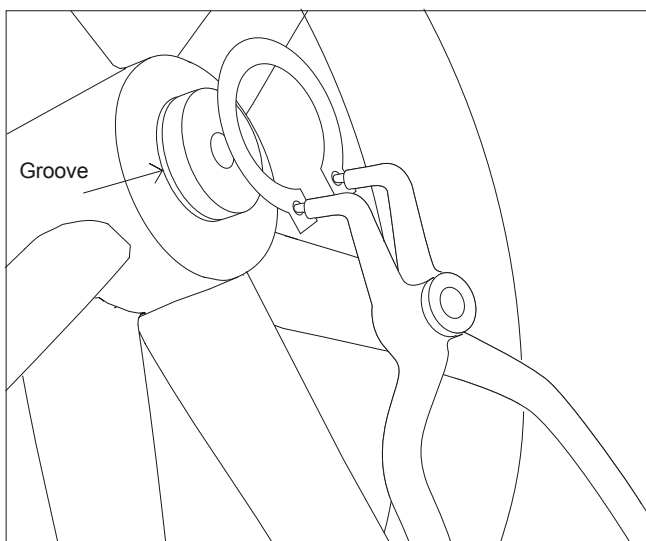
2. Open the retaining ring (snap-ring) with a pliers.



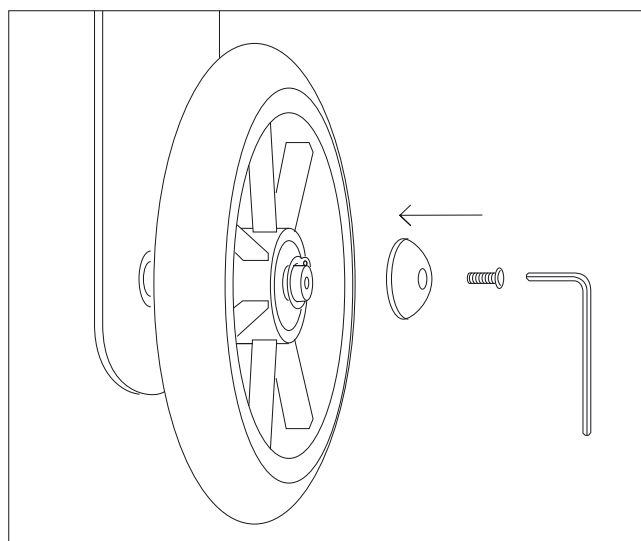
3. The wheel can be removed and replaced with a new one.



4. Push the new wheel to the bottom of the axle. Fix with a new snap-ring.



5. Use the pliers to lock the new snap-ring firmly into the groove on the axle.

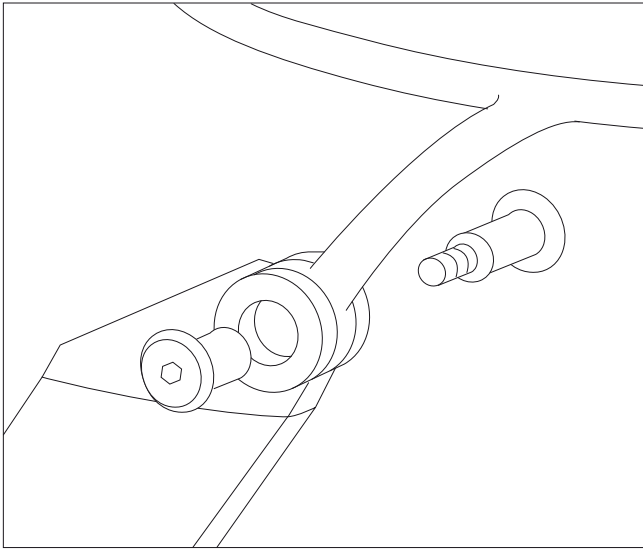


6. Screw back the cap tight.

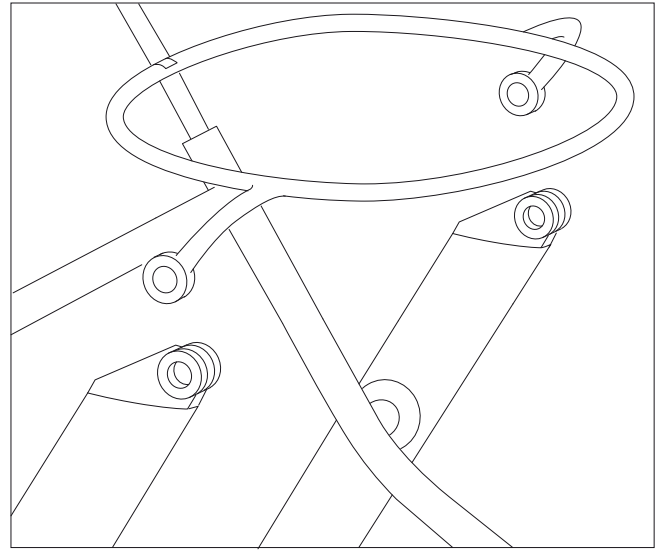
Exchange of tray support ring.

Let's Go Spare part. Art. No. 1105, 1106, 1107.

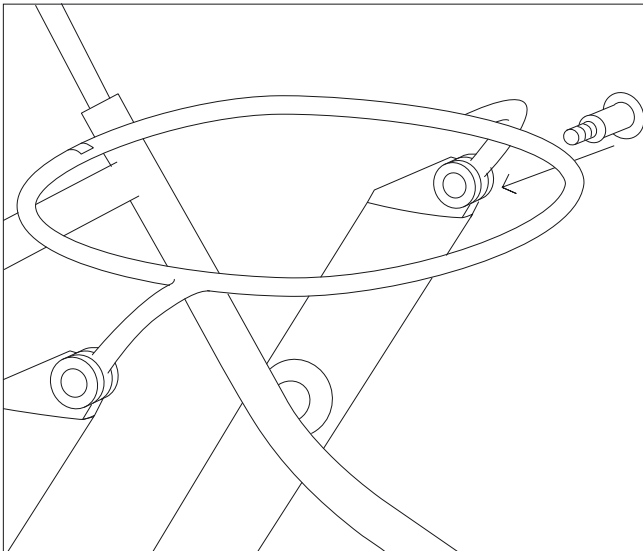
Let's Go Service Manual. Revision version No: 1 – Jan 2016



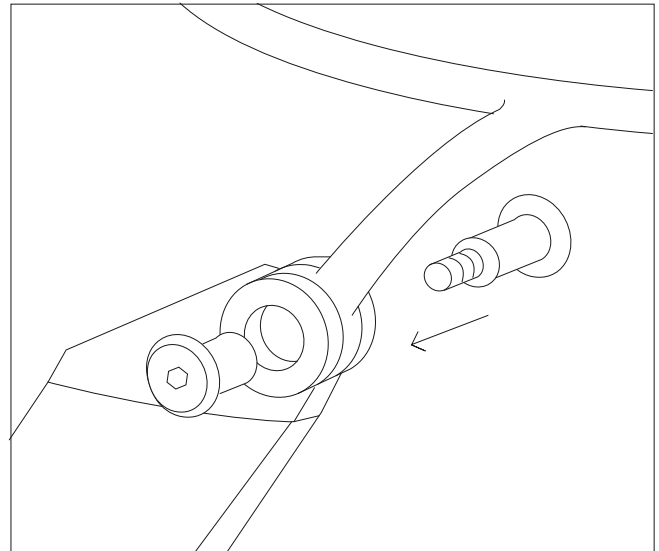
1. Unscrew the double screws, both sides.



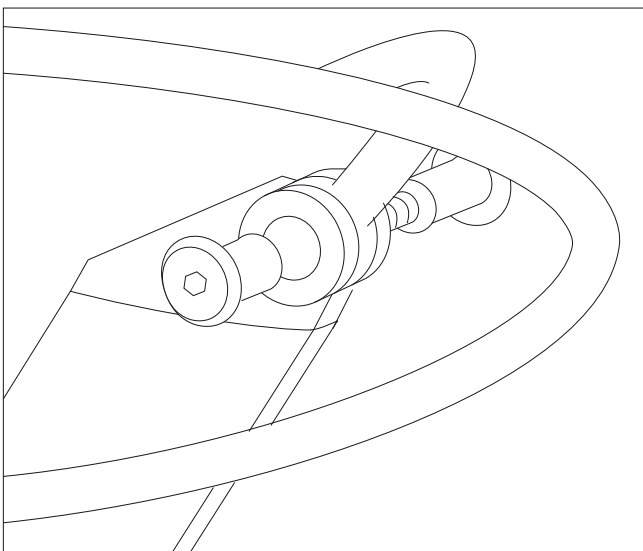
2. The tray ring can now be easily removed.



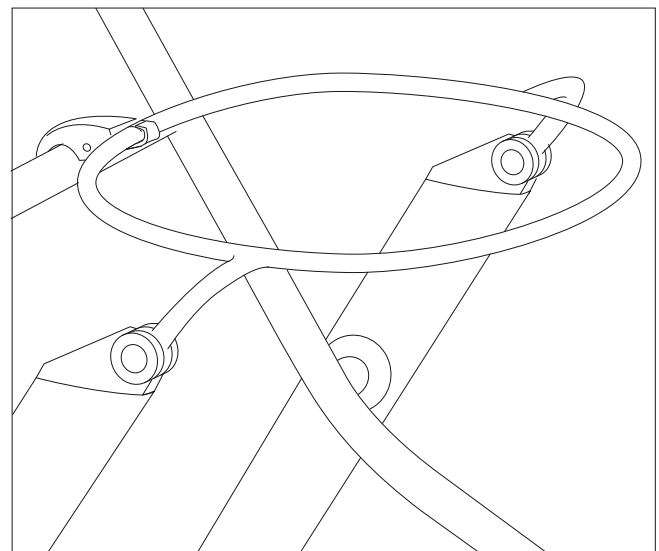
3. Put the new ring in, both sides. Put in one screw on one side to keep it in place.



4. Screw the two halves of the screw on the other side tightly together.



5. Same on the first side.

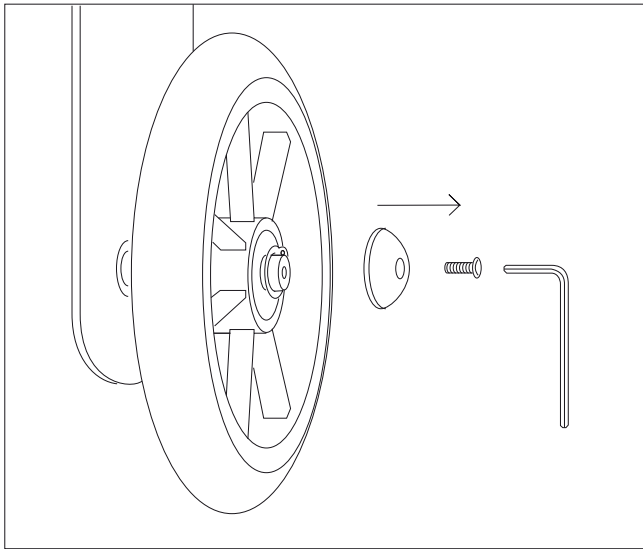


6. The rollator can now be locked in an unfolded position.

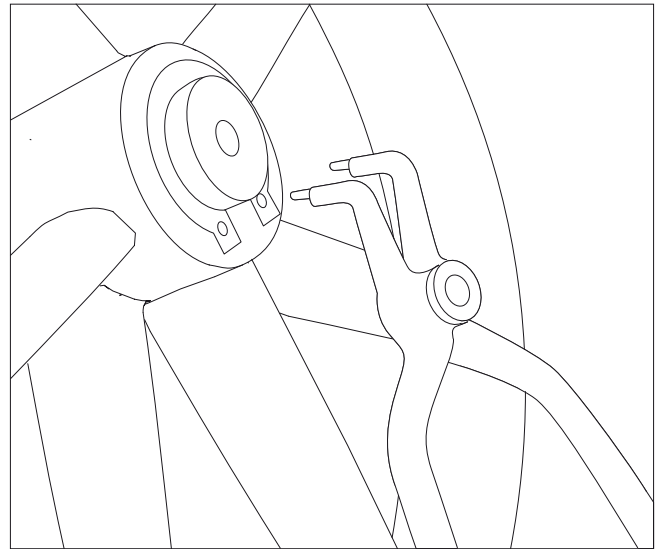
Exchange of rear wheel mounting bracket.

Let's Go Spare part. Art. No. 2300.

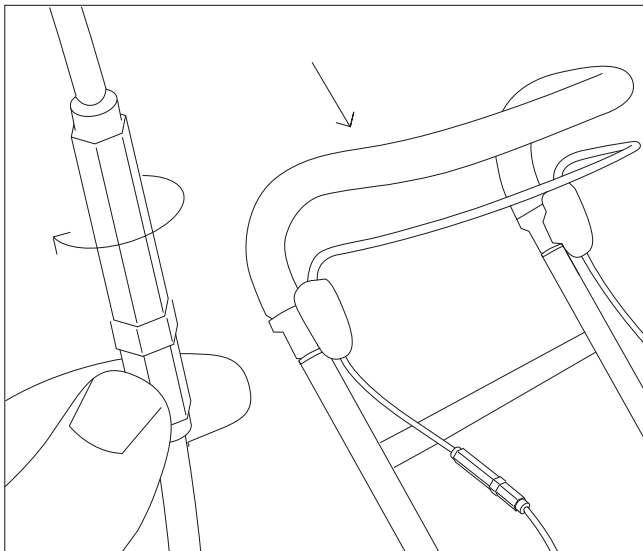
Let's Go Service Manual. Revision version No: 1 – Jan 2016



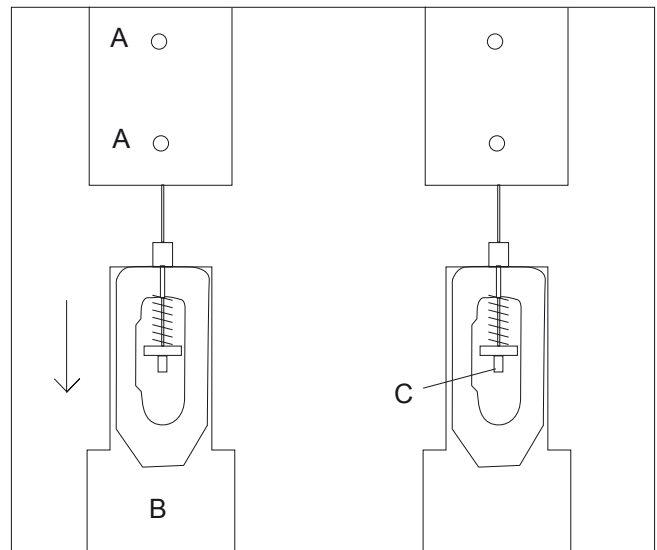
1. To remove the wheel, remove the wheel cap with an Allen key.



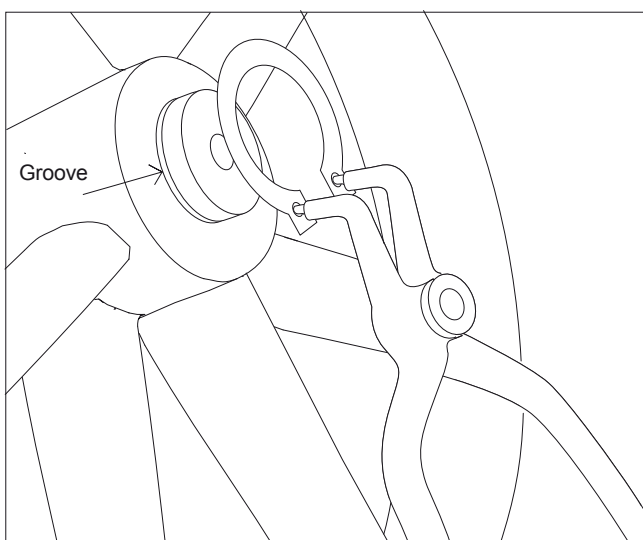
2. Open the retaining ring (snap-ring) with a pliers. The wheel can be removed.



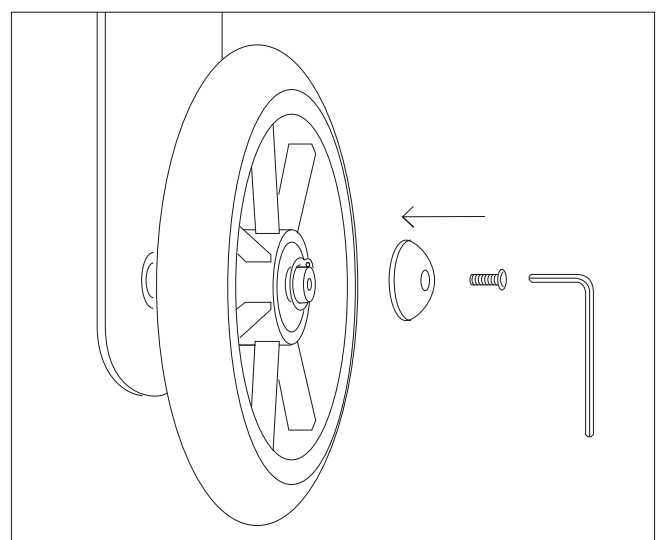
3. Adjust the handle to lowest position and the wire tension screws for lowest wire tension.



4. Unscrew the screws A and take out the bracket B. Remove the wire and brake yoke from the bracket at C.



5. Put the wheel and brake on the new bracket. With the pliers lock the snap-ring firmly into the groove on the axle.



6. Push the bracket into the leg profile and screw back the screws A. Screw back the cap and adjust the brakes.