

**ENDOSHIELD**  
INSTRUCTIONS FOR USE

## Kit Contents:

A) Endoshield

B) 8' 22mm Hose

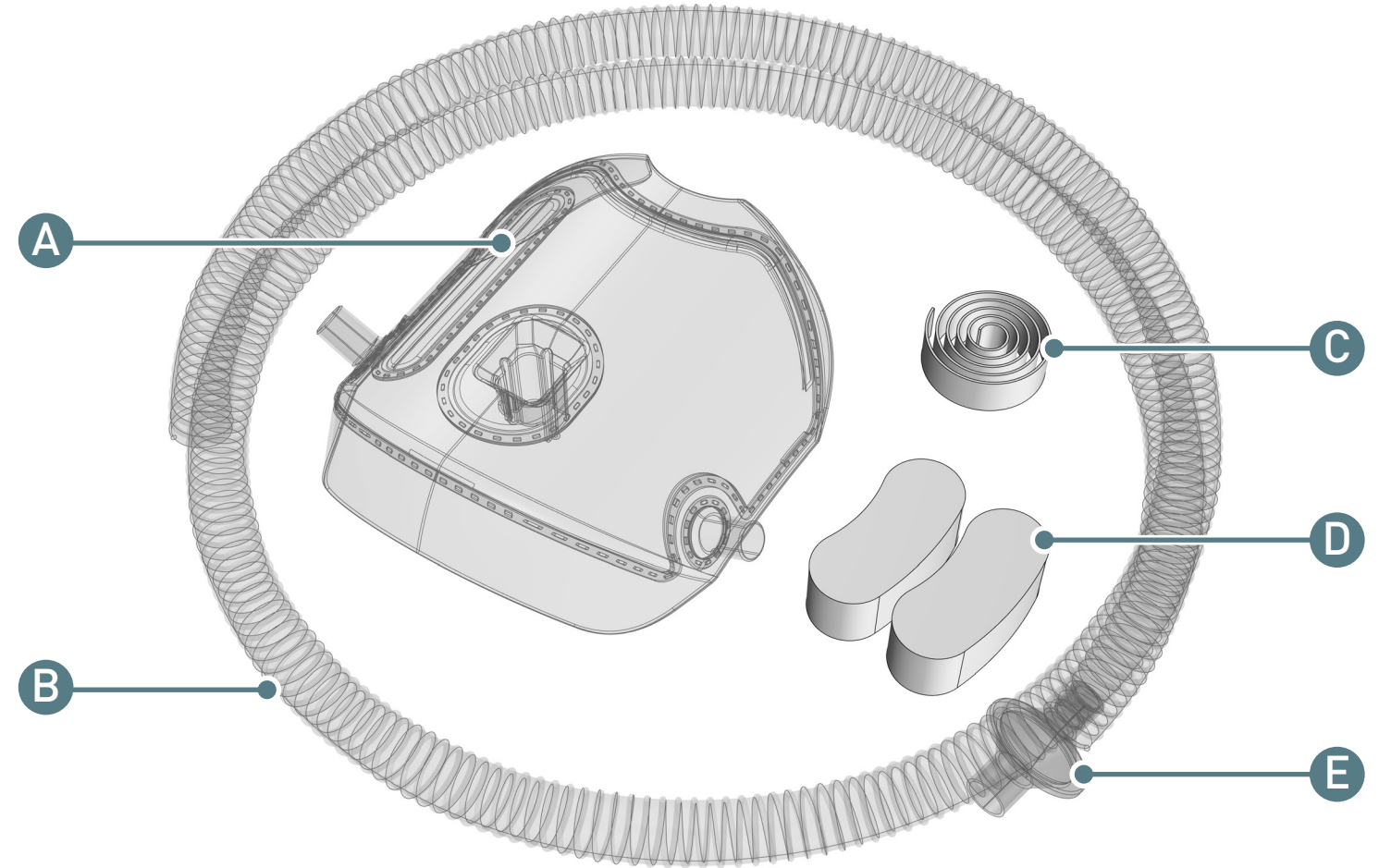
C) Head Strap

D) Foam Pads

E) Air Filter

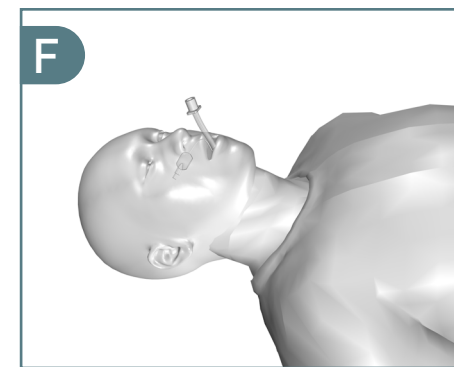
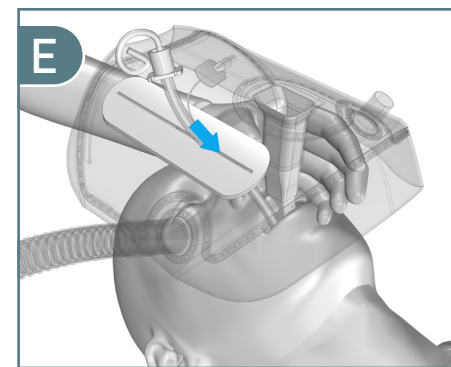
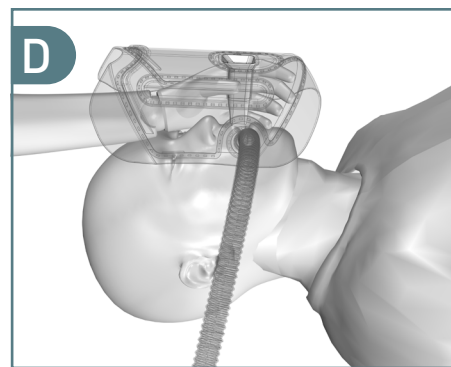
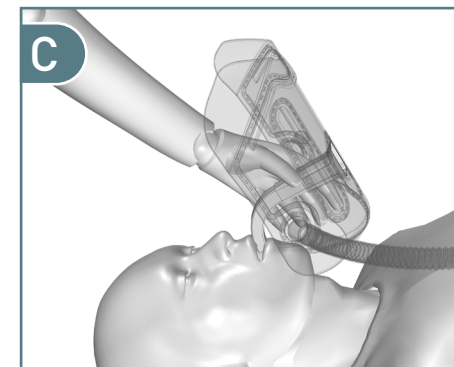
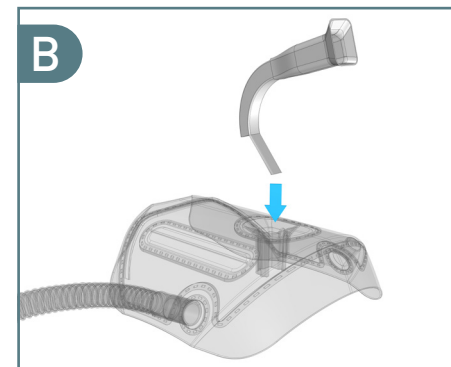
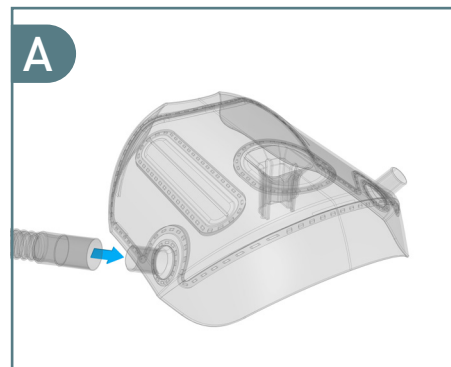
## Recommended Product Usage:

- When using the SafER Negative Pressure System, Healthcare workers and others must use proper PPE when exposed to a patient with suspected or confirmed COVID-19 or other sources of SARS-CoV-2 (See OSHA's PPE standards at 29 CFR 1910 Subpart I).
- Monitor oximetry and time required to perform intubation, prolonged attempts may require efforts to reoxygenate patient between attempts.
- Do not place directly against face.
- Take care to avoid contact with hard edges.
- Do not allow fluid or debris to be suctioned.
- Blood or fluid contamination of shield may reduce visibility of shield and should be cleaned or discarded to prevent poor visibility of patient.
- Take care to manually secure endotracheal tube by hand before removing endoshield from endotracheal tube to avoid tube from being dislodged.



## Intubation

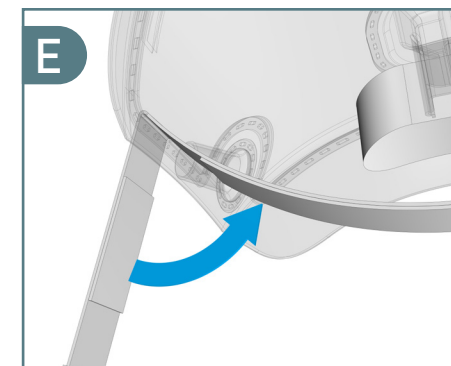
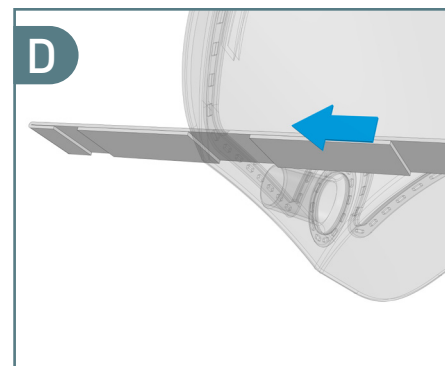
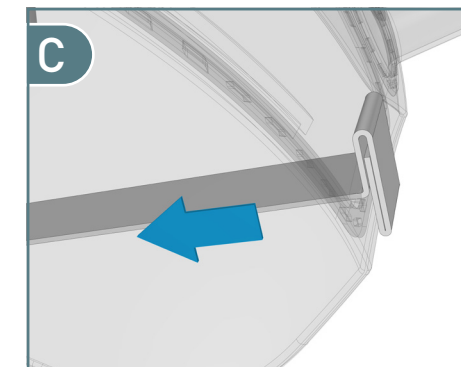
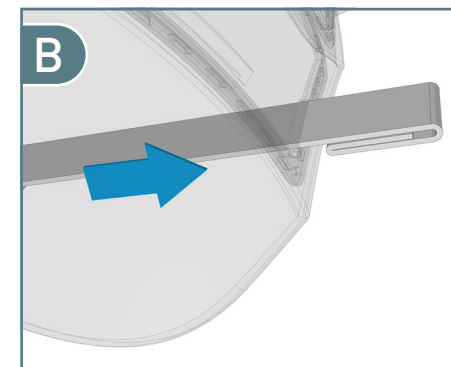
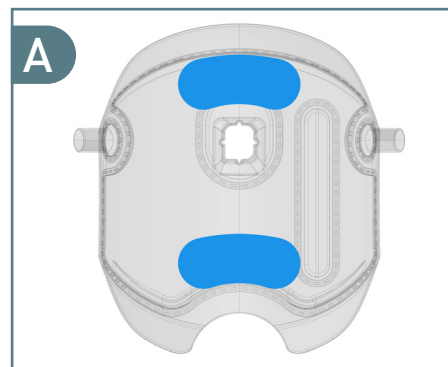
- 1.) Attach one end of the vacuum hose to the desired side port of the Endoshield. (fig. A)
- 2.) Attach the hose to the vacuum unit and turn it on.
- 3.) Holding the Endoshield, securely and with the convex side facing up, insert the laryngoscope through the center port. (fig. B)
- 4.) Intubate your patient. (fig. C & D)
- 5.) Once the glottis is visible, insert the endotracheal tube through the elongated opening on the side of the center port. (fig. E)
- 6.) Once the endotracheal tube is in place, remove the Endoshield and laryngoscope.
- 7.) Inflate the endotracheal balloon.
- 8.) Remove the stylet and secure the endotracheal tube. (fig. F)



## Optional Headstrap and Foam Installation

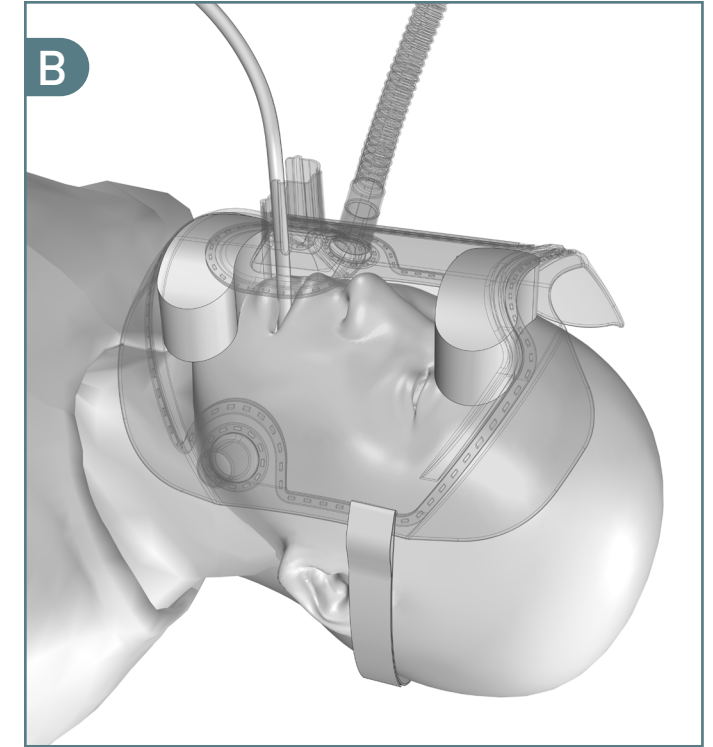
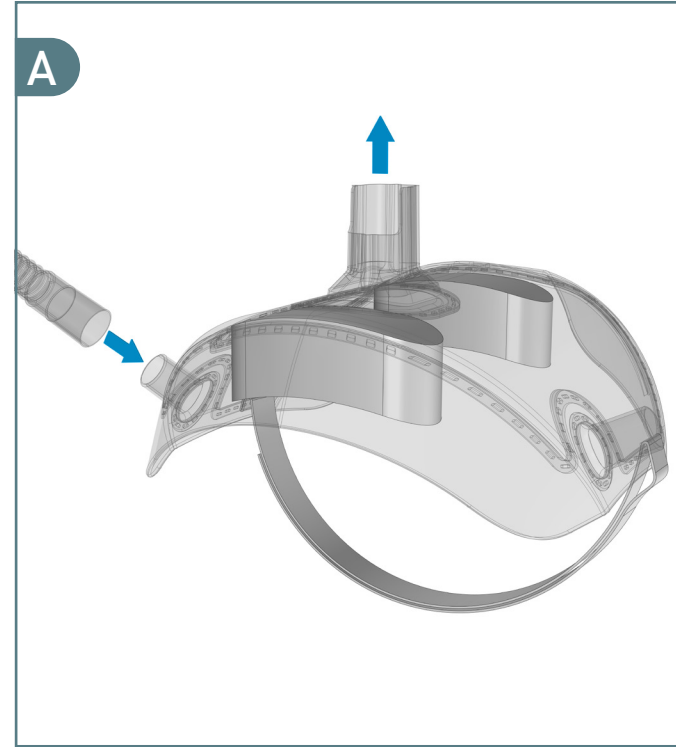
Endoscopy, Bronchoscopy, Tracheostomy Care

- 1.) Remove backing from Foam pads and adhere foam pads interior of shield as shown. (fig. A)
- 2.) Insert folded end of headstrap (closest to hook section of hook and loop) into the shield side slot with the hook and loop side of the strap facing out. (fig. B)
- 3.) Pull up on it to make sure it is secure. (fig. C)
- 4.) Push other side of strap (closest to loop section of hook and loop) through the opposite side slot from the inside of the shield. (fig. D)
- 5.) Loop strap back to secure with hook and loop. (fig. E)



## Diagnostic Procedure (not intubation)

- 1.) Invert center silicone flange to extend out of the shield and attach hose. (fig. A)
- 2.) Loosen strap to allow for easy placement on patient.
- 3.) Place shield over patient head. (fig. B)
- 4.) Adjust strap as necessary with Velcro.
- 5.) Perform procedure.



## Notes

---

---

---

---

---

---

---

---

---

---

---

---

---

---

---

---

---

---

---

---

---

---

1119-0030\_rev10

