

BESTSTAND™

SA600 | SIT-TO-STAND LIFT

The BestStand™ SA600 is one of the latest addition to our ProCare Sit-to-Stand Solutions. Its ergonomic design ensures safe and smooth patient sit-to-stand transfer.



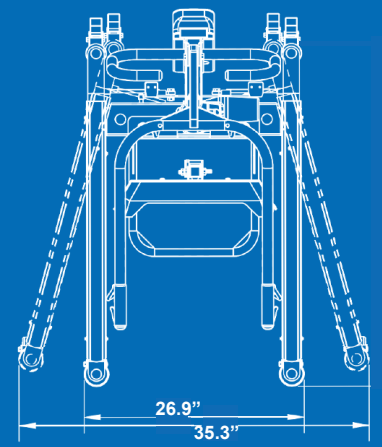
- **600lb** Capacity
- Full electric with optional spare battery
- Wide Lifting range
- Adjustable knee pad
- Compact base for easy maneuver
- Detachable foot plate

| DIMENSIONS

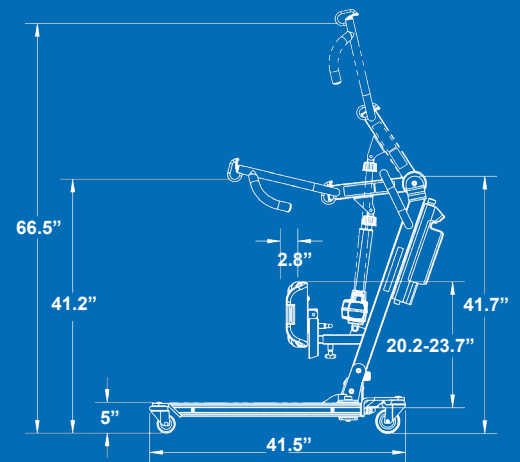
Key dimensions of SA600	
maximum capacity	600Lb / 273 Kg
external base width (closed)	26.9"
internal leg width (opened)	35.3"
upright mast height	41.7"
overall base length	41.5"
base height	5"
minimum lifting height with spreader bar	37.5"
maximum lifting height with spreader bar	66.5"
knee pad depth extension range	2.8"
maximum boom width	18.2"
knee pad adjustable height	20.2-23.7"
net weight	125lb / 56.5kgs
shipping weight	139lb / 63kgs

* SPECIFICATIONS PROVIDED ARE A GENERAL GUIDELINE AND ARE SUBJECT TO CHANGE WITHOUT NOTICE

| SA600



TOP VIEW OF SA600



SIDE VIEW OF SA600