



# HAUSMANN INDUSTRIES, INC.

130 Union St • Northvale NJ 07647 USA • Tel: (201) 767-0255 • Fax: (201) 767-1369 • [www.hausmann.com](http://www.hausmann.com)

## Installation/Operation Instructions

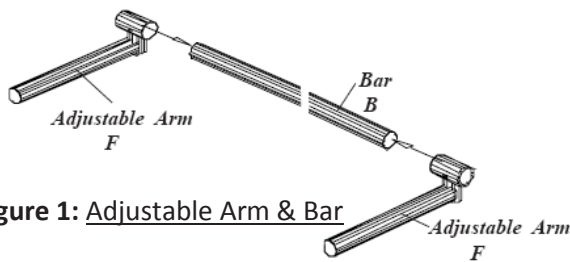
Parallel Bars - Models **S-320, S-321, 1300, 1340, 1341, 1342, 1343, 1344, 1345, 1346, 1384, 1386, 1387, 1388, 1389, 1390, 1391, 1392, 1393**

Floor mounted parallel bars such as **1340, 1341, 1342, 1343, 1344, 1345, 1346, 1388, and 1389** on page 1 – 2

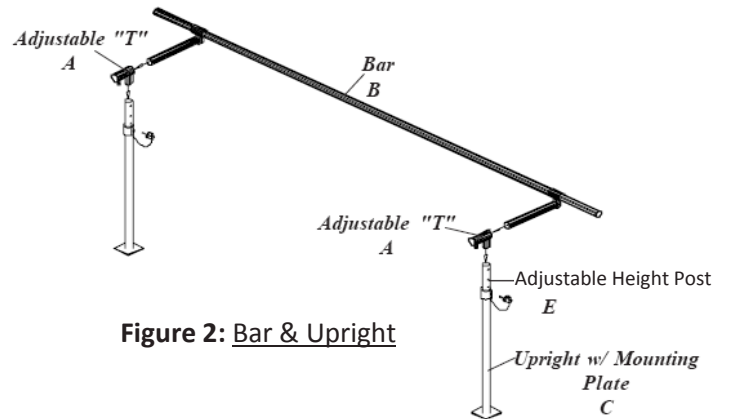
Platform mounted parallel bars such as **S-320, S-321, 1300, 1384, 1386, 1387, 1390, 1391, 1392, 1393** on page 2 - 4

### FLOOR MOUNTED PARALLEL BARS

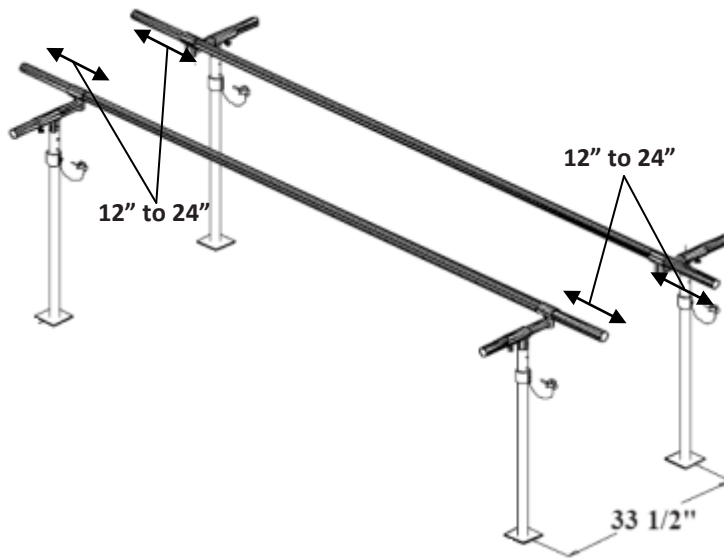
**MODEL # 1340, 1341, 1342, 1343, 1344, 1345, 1346, 1388, 1389**



**Figure 1: Adjustable Arm & Bar**



**Figure 2: Bar & Upright**



Product Specifications				
Model #	Bar Length	Height	Width	Weight Capacity
1340	10'	29"-42"	15" - 28"	400 lbs
1341	7'	29"-42"	15" - 28"	400 lbs
1342	12'	29"-42"	15" - 28"	400 lbs
1343	14'	29"-42"	15" - 28"	400 lbs
1344	16'	29"-42"	15" - 28"	400 lbs
1345	18'	29"-42"	15" - 28"	400 lbs
1346	20'	29"-42"	15" - 28"	400 lbs
1388	10'	29"-42"	22"-35"	600 lbs
1389	7'	29"-42"	22"-35"	600 lbs

### PARTS LIST

Model # 1340, 1341, 1342, 1343, 1344, 1345, 1346		
PART	QUANTITY	DESCRIPTION
A	4	Adjustable "T" with Control Knobs
B	2	Bar (see chart above for length)
C	4	Upright w/Mounting plate
D	4	Locking Pin
E	4	Adjustable Height Post
F	4	Adjustable Arm

Model # 1388, 1389		
PART	QUANTITY	DESCRIPTION
A	6	Adjustable "T" with Control Knobs
B	2	Bar (see chart above for length)
C	6	Upright w/Mounting plate
D	6	Locking Pin
E	6	Adjustable Height Post
F	6	Adjustable Arm

#### Tools Required:

Allen Wrench (Included)

## A) INSTALLATION INSTRUCTIONS (1340, 1341, 1342, 1343, 1344, 1345, 1346, 1388, 1389)

To install the parallel bars clear a space big enough to move around with ease.

1. Slide on two (or three for 1388, 1389) Adjustable arms on one bar as shown in Figure 1.
2. Install locking pin in 4<sup>th</sup> hole of Adjustable height post.
3. Once the adjustable arms are in place slide the arms with the bar into the adjustable "T" as shown in Figure 2.
4. When the arms are in the adjustable 'T' attach the adjustable 'T' to the adjustable height post in the upright as shown in Figure 2.
5. Repeat steps 1 thru 3 for the other bar.
6. Place outer uprights between 12" to 24" (recommended) from each end of the bar and 33 1/2" (recommended) from center of mounting plate of one bar to center of mounting plate of other in width as shown in Figure 3.
7. After completing steps 1 thru 6 tighten all the set screws to secure the bars in place with the Allen wrench provided.
8. When mounting the uprights attach securely to ground with proper fasteners (not included).

## B) OPERATING INSTRUCTIONS (1340, 1341, 1342, 1343, 1344, 1345, 1346, 1388, 1389)

### A. To Raise or Lower the bars:

1. Remove the locking pins 'D' from one side lift one side to the desired height, and lock with pin as shown in Figure 4.
2. Raise the other side to the same height and lock.

### B. To adjust the width between two bars:

1. Loosen the control knobs on the adjustable "T" by turning counterclockwise.
2. Move the bars closer or further apart from each other and tighten the control knob by turning clockwise.

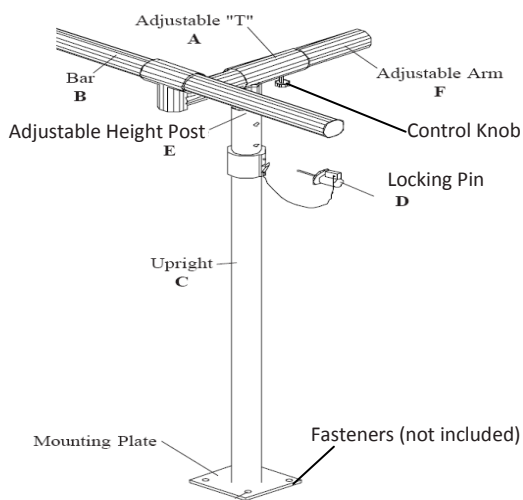


Figure 4: Width & Height Adjustment

## PLATFORM MOUNTED PARALLEL BARS

MODEL # S-320, S-321, 1300, 1384, 1386, 1387, 1390, 1391, 1392, 1393

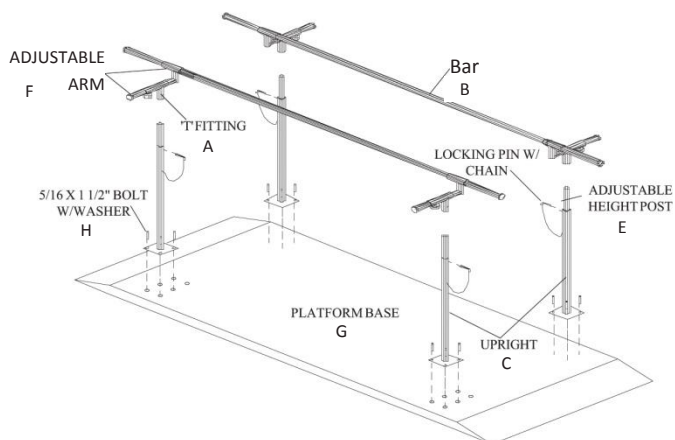


Figure 5: Bar & Upright (S320)

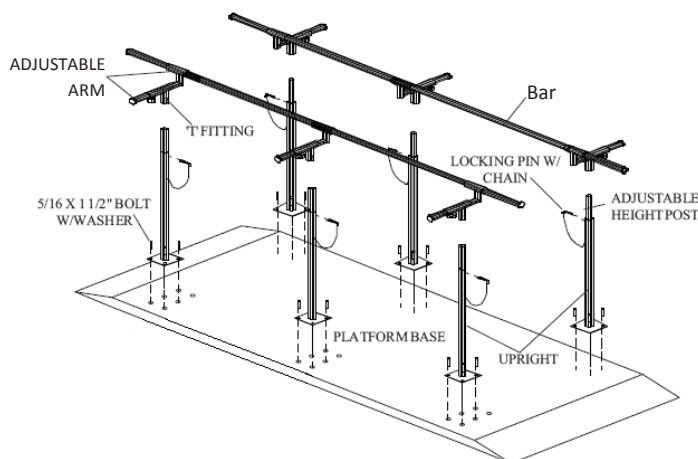
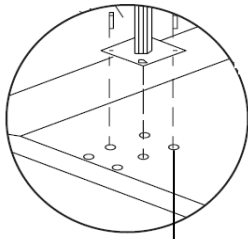
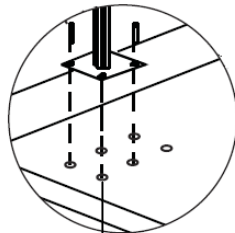


Figure 6: Platform mounted Parallel Bar (1386)



Innermost 4 holes for Model #1300



Outermost 4 holes for Model # S320, S321, 1300, 1384, 1386, 1387, 1390, 1391, 1392, 1393

**Figure 7:** Inner and Outermost holes

Product Specifications				
Model #	Bar Length	Height	Width	Weight Capacity
S320	10'	28"-41"	15" - 28"	350 lbs
S321	7'	28"-41"	15" - 28"	350 lbs
1300	10'	28"-41"	26"	400 lbs
1384	10'	29"-42" 20"-32" (Child)	15" - 28"	400 lbs
1386	10'	29"-42"	22" - 35"	600 lbs
1387	7'	29"-42"	22" - 35"	600 lbs
1390	10'	29"-42"	15" - 28"	400 lbs
1391	7'	29"-42"	15" - 28"	400 lbs
1392	12'	29"-42"	15" - 28"	400 lbs
1393	10'	29"-42"	15" - 28"	400 lbs

### PARTS LIST

Model # S320,S321,1300,1384, 1390, 1391, 1392, 1393			Model # 1386,1387		
PART	QUANTITY	DESCRIPTION	PART	QUANTITY	DESCRIPTION
A	4	Adjustable "T"	A	6	Adjustable "T"
B	2	Bar (see chart above for length)	B	2	Bar (see chart above for length)
	4	Bar (Only for 1384)			
C	4	Upright	C	6	Upright
D	4	Locking Pin	D	6	Locking Pin
E	4	Adjustable Height Post	E	6	Adjustable Height Post
F	4	Adjustable Arm (N/A for 1300)	F	6	Adjustable Arm
G	1	Platform Base	G	1	Platform Base
H	16	5/16" x 1 1/2" Bolt W/ Lock Washer	H	24	5/16" x 1 1/2" Bolt W/ Lock Washer
I	4	Control Knobs (N/A for 1300)	I	6	Control Knobs
J	11	Ladder Steps (1393 only)			
K	1	Balance Beam 89 3/4" L x 6" W x 3 3/8" H (1393 only)			

#### Tools Required:

Allen Wrench (Included)

#### **A) INSTALLATION INSTRUCTIONS (S320, S321, 1300, 1386, 1387, 1390, 1391, 1392 & 1393)**

To install the parallel bars clear a space big enough to move around with ease.

- Place Uprights on Platform Base as shown in Figure 6.
- Secure Uprights to Platform Base using 5/16" x 1 1/2" Bolts and Lock Washers (included).
 

**NOTE:** Use innermost four holes to mount for Model # 1300 and outermost four holes for Model # S320, S321, 1390, 1391, 1392 and 1393 as shown in Figure 7.
- Install locking pin in 4<sup>th</sup> hole of Adjustable height post.
- Only for Model #1300, Slide the two 'T' fittings on each bar and then place them onto the Adjustable height post in the uprights and go to step 9.
- Slide on two (or three for Models 1386 & 1387 only) Adjustable arms on one bar as shown in Figure 1 page 1.
- Once the adjustable arms are in place slide the arms with the bar into the adjustable 'T' as shown in Figure 5.
- When the arms are in the adjustable 'T' attach the adjustable 'T' to the adjustable height post in the upright as shown in Figure 5.
- Repeat steps 1 thru 3 for the other bar.
- After completing all steps, tighten all the set screws to secure the bars in place with the Allen wrench provided.

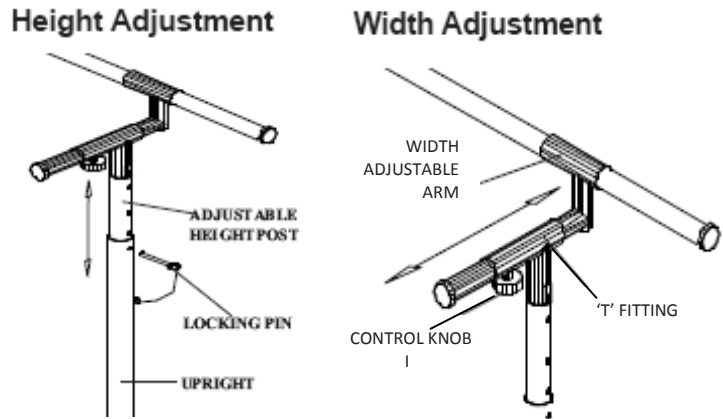
**B) OPERATING INSTRUCTIONS (S320, S321, 1300, 1386, 1387, 1390, 1391, 1392 & 1393)**

**A. To Raise or Lower the bars:**

1. Remove the locking pin from upright
2. Raise or lower the Adjustable height post to the desired height, and insert the locking pin back into upright to lock as shown in Figure 8.
3. Repeat steps 1 and 2 above to set the height for other adjustable height posts.

**B. To adjust the width between two bars: (N/A for Model # 1300)**

1. Loosen the control knobs on the adjustable "T" by turning counterclockwise.
2. Move the adjustable arm in or out to the desired position and tighten the control knob by turning clockwise.



**Figure 8: Height & Width Adjustment**

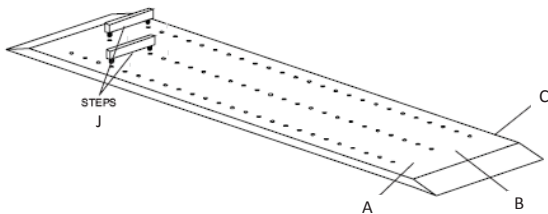
**CAUTION:**

Before each use, make sure all the control knobs and set screws are in place and tighten, or injury may occur.

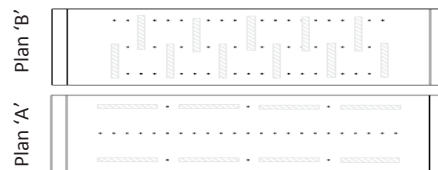
**Step Ladder and Balance Beam Placement Instructions (Model # 1393 only)**

**A. The Placement of Ladder Steps:**

Alternate the steps by inserting into one holes "B" and "C", then the second in "A" and "B". Continuing as required as shown in Figure 9 and 10.



**Figure 9: Step ladder placement**

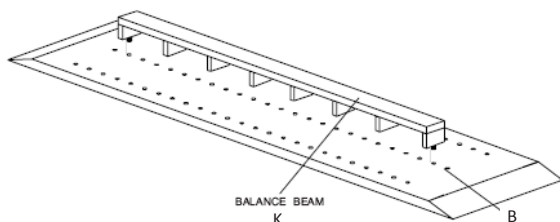


**Figure 10: Ladder placed with Plan 'A' and 'B'**

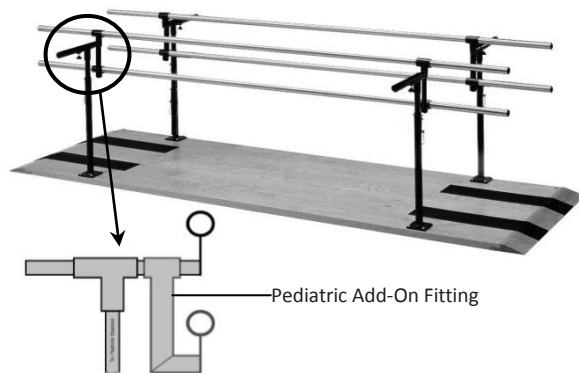
**B. The Placement of Balance Beam:**

Insert the beam into the second to last holes in line 'B' from each end of the platform as shown in Figure 11.

**NOTE:** It is not necessary to remove the ladder steps prior to installing the balance beam. Balance beam is designed to fit over previously installed steps.



**Figure 11: Balance beam placement**



**Figure 12: 1384 Combination Adult/Child Parallel Bar**



Please join Hausmann's effort to reduce paper use and keep the planet green by using our paperless Warranty Registration form. Visit [www.hausmann.com](http://www.hausmann.com) and click on Warranty Registration. If you do not have web access or prefer the form be mailed or faxed to you, please call Hausmann Customer Service. As of January 1, 2010, we will no longer include the paper based forms, please visit the online link to fill in your Warranty Form.