



BLANKET WARMER



MODELS:
PTHC65G Series
PTHC125G Series
PTHC155G Series
PTHC65GUC Series

User Manual

BEFORE USE, PLEASE READ AND FOLLOW ALL SAFETY RULES AND OPERATING INSTRUCTIONS

Write model and serial numbers here/ Écrivez
les numéros de modèle et de série ici:

FELIX STORCH, INC.
An ISO 9001:2015 Registered
Company
770 Garrison Avenue
Bronx, New York 10474

TABLE OF CONTENTS

<i>Important Safeguards</i>	3
<i>Installation</i>	4-5
<i>Before Using the Warming Cabinet</i>	4
<i>Installing your Appliance</i>	4
<i>Reversing the Door Swing</i>	5
<i>Installing the Door Handle</i>	5
<i>Operation</i>	6
<i>Loading the Warming Cabinet</i>	6
<i>Turning on the Warming Cabinet</i>	6
<i>Turning off the Warming Cabinet</i>	6
<i>Reducing the Set Point Temperature</i>	6
<i>Cleaning and Maintenance</i>	7
<i>Cleaning</i>	7
<i>Extended Downtime</i>	7
<i>Moving your Appliance</i>	7
<i>Energy Saving Tips</i>	7
<i>Preventive Maintenance</i>	7
<i>Troubleshooting</i>	8
<i>Wiring Diagram</i>	9
<i>Limited Warranty</i>	10
<i>French Translation of this Manual</i>	11-20

IMPORTANT SAFEGUARDS

Your safety and the safety of others are very important to us. We have provided several important safety messages in this manual. Read all safety messages and always obey them when operating this appliance. Serious injury or even death may result if you do not follow these instructions.

WARNING

To reduce the risk of fire, electric shock, or injury when using this appliance, follow these basic precautions:

Use two or more people to move and install this appliance.

Plug into a grounded 3-prong outlet.

Do not remove the grounding prong, or use a 3/2 adapter.

For free-standing installation, allow at least 5 inches (127mm) of space between the back, top, and sides of the unit. For recessed or built-in installation (units with "UC" in the model number), leave an air gap of at least 1 inch (25.4 mm) on each side and top and 2 inches (51mm) at the rear.

Use care not to plug into outlets controlled by wall switches.

Disconnect power before servicing.

After service, replace all parts and panels before operating.

Do not store or use gasoline or other flammable items in the area of this or any appliance, as the fumes can create a fire hazard or explosion.

Use nonflammable cleaners.

Never unplug your appliance by pulling on the power cord. Always grip the plug firmly and pull straight out from the socket.

Be careful not to roll over or damage the cord when moving the appliance.

Do not pinch, knot, or bend the power cord in any manner.

If the supply cord is damaged, it must be replaced by the manufacturer, its service agent, or similarly qualified persons in order to avoid a hazard.

Unplug the appliance before making repairs or cleaning.

To prevent injury or damage, any repairs or adjustments should be done by only a qualified technician. In particular, do not attempt to remove the control panel, since this could result in electric shock.

This appliance is not meant to exceed a temperature of 140°F (60°C). Do not raise the set temperature in an attempt to increase the rate of heating. Allow several hours for the content of the cabinet to reach the desired temperature.

Be aware that the temperature of the contents of the warming cabinet may be higher than the displayed temperature. Always check the temperature of the heated blankets and towels before using.

DANGER: Risk of child entrapment!

Child entrapment and suffocation are not problems of the past. Junked or abandoned appliances are still dangerous, even if they will “just sit in the garage a few days”.

Before you throw away your old icemaker or any appliance:

- Remove the door.
- Leave the shelves in place so that children may not easily climb inside.

- SAVE THESE INSTRUCTIONS -

INSTALLATION

Before Using the Warming Cabinet

Remove the exterior and interior packaging.

Check to be sure the shelves are installed and that the strips of tape holding them in place have been removed.

Level the appliance with the adjustable legs provided.

The circuit breaker on the control panel should be in the OFF position.

Clean the interior surfaces with lukewarm water using a soft cloth. Any plastic odor that you notice when you first open the doors will dissipate once the appliance is operating.

Installing the Appliance

For free-standing installation, allow at least 5 inches (127mm) of space between the back, top, and sides of the unit. For recessed or built-in installation (units with “UC” in the model number), leave an air gap of at least 1” (25.4 mm) on each side and top and 2” (51mm) at the rear.

Place your appliance on a floor that is strong enough to support it when it is fully loaded. Be sure the appliance is level. (Level your warming cabinet by adjusting the legs at the front.)

Leave at least 2 inches of space between the back of the unit and the wall behind, which allows for proper air circulation.

Plug the unit into a 120V AC 60Hz electrical source. The fuse or circuit breaker should be rated for 15 amperes.

The unit is designed to be used in a stable environment where the ideal ambient temperature is 72°F or less. Extremely warm or cold ambient temperatures may cause the appliance to perform improperly.

Avoid locating the warming cabinet in moist areas.

This appliance is equipped with a three-prong plug and is grounded to eliminate electrical hazards. In order to make it effective, the unit must be plugged into a grounded electrical outlet.

A short power-supply cord (or short detachable power-supply cord) is provided to reduce risk resulting from becoming entangled in or tripping over a longer cord.

Extension cords (or longer detachable power-supply cord) are available and may be used if care is exercised in their use.

If an extension cord (or a long detachable power-supply cord) is used:

- The marked electrical rating of the detachable power-supply cord or extension cord should be at least as great as the electrical rating of the appliance;
- If the appliance is of grounded type, the extension cord should be a grounding type 3-wire cord; and

The cord should be arranged so that it will not drape over the countertop or tabletop where it can be tripped over, snagged, or pulled on unintentionally (especially by children).

Reversing the Door Swing (Only applicable to the PTH65G Series)

The door of the warming cabinet can be hinged on either side so that the door swing can be suited to the location of the installation. In order to reverse the position of the door hinges, refer to the disassembly diagrams below this procedure.

1. Lay the warming cabinet onto its backside, being careful to set it onto a blanket or another soft surface.
2. Remove the screws holding the bottom hinge, and remove the hinge.
3. Slide the door downward, being careful to remove the door pin attaching the door to the upper hinge.
4. Set the door aside.
5. Remove the screws holding the upper hinge to the warming cabinet.
6. Remove the hinge covers from the opposite side of the cabinet.
7. Move the upper hinge to the opposite of the cabinet, and tighten with screws.
8. Replace the door pin on the opposite side of the door, and slide the door pin into the upper hinge.
9. Rest the door against the warming cabinet, and attach the lower hinge to the cabinet and door.
10. If the door is not hanging straight, loosen the top hinge, adjust the door until it is straight and retighten the screws.

Installing the Door Handle

This appliance may include a stainless-steel door handle that is not required to operate the unit. To install the handle, follow these steps:

1. Pull away the door gasket in area where the handle is to be installed. The gasket is easily displaced by the hand. No tools are necessary.
2. Using a flathead screwdriver, remove the two pre-installed decorative plugs from the back of the door. Save the decorative plugs for future use.
3. Insert the two Phillips head handle screws through the gasket side of the door frame until the screws pass through the door frame.

4. Align the handle with the screws installed in Step 3. Tighten the screws using the Phillips head screwdriver until the handle is both flush and secured tightly against the door frame. DO NOT over-tighten, as this will cause damage to the handle assembly.
5. Replace the door gasket to its original position.

OPERATION

NOTE: This appliance is designed to heat towels and blankets to temperatures of up to 140°F. The process of heating the contents from an ambient room temperature of 72°F up to 140°F can take an average of 4 hours, depending on the amount of contents. When loading items into the cabinet for heating, be sure there is a minimum of 1" of space between the items and the walls to allow for proper circulation of air.

Loading the Warming Cabinet

Place the articles to be warmed into the cabinet, and close the door. Items may be stacked, but be sure adequate space is left for air circulation, as noted above. Be sure the door is closed securely.

CAUTION: DO NOT store blankets on the bottom shelf on the unit. Blankets stored here will block the heating module and affect the performance of the unit.

Turning on the Warming Cabinet

Switch the circuit breaker on the control panel to the RESET position. The following will happen:

The temperature controller will light up and display the warming cabinet temperature.

The heating element will turn on, as indicated by the red indicator light on the control panel. It will cycle on and off with the heating element.

The temperature will start to rise.

The temperature will gradually rise to the factory setting of 120°F from an ambient room temperature of 72°F.

NOTE: The LED display on the control panel normally shows the cabinet temperature.

When the cabinet reaches 120°F, the heating element will turn off (the red light goes out), then turns on again when the cabinet's temperature drops by 2-3 °F. This condition will continue until the equipment is turned off intentionally or:

- Some internal or external factor causes the current to exceed 15 amperes, in which case the circuit breaker will trip off.
- When operating correctly, the warming cabinet will always maintain temperatures within two degrees of its set point (factory-set at 120°F).

Turning off the Warming Cabinet

To turn off the appliance, switch the circuit breaker on the control panel to OFF.

Reducing the Set Point Temperature

The operating temperature is factory-set to 120°F, but you can reduce this "Set Point" by following this procedure:

1. Press and release the SET button. The display temperature will flash.
2. Press either the UP or DOWN arrow on the control panel to reach the desired temperature (Set Point).

NOTE: The temperature range for this unit is factory set from 90°F to 140°F.

CLEANING AND MAINTENANCE

Cleaning

Unplug the appliance and remove all contents. Wash the interior liner with a solution of warm water and baking soda (two tablespoons per quart). Then rinse and wipe. Do not use soaps, detergents, scouring powder, spray cleaners or the like on the liner, as these may cause odors in the cabinet.

Wash shelves in a mild detergent solution and dry with a soft cloth.

Wipe the exterior surface with a soft cloth dampened with soapy water and then dry with a soft cloth. A spray appliance cleaner may be used for the exterior only.

Use only lukewarm soapy water to clean the door gasket.

Never use acids, chemical thinner, gasoline, benzene or the like for cleaning any part of the appliance. Boiling water and benzene may deform or damage plastic parts.

Extended Downtime

If the appliance will not be used for several months, empty it, and unplug the power cord. Clean and dry the interior thoroughly. To prevent odor and mold growth, leave the door open slightly, blocking it open if necessary.

Moving Your Appliance

Remove or securely tape down all loose items inside the warming cabinet.

Tape the door shut.

Be sure the appliance is kept in the upright position during transportation. Also protect the outside of the appliance with a blanket or similar item.

Energy-Saving Tips

To allow proper air circulation, keep a space around the walls and fan when loading the cabinet.

Add or remove as many items as needed at one time, and close the door as soon as possible.

Preventive Maintenance

Twice a year, place a thermometer near the fan inlet of the cabinet in order to check the accuracy of the temperature setting. The actual temperature should be within plus or minus 3 Fahrenheit degrees of the set temperature.

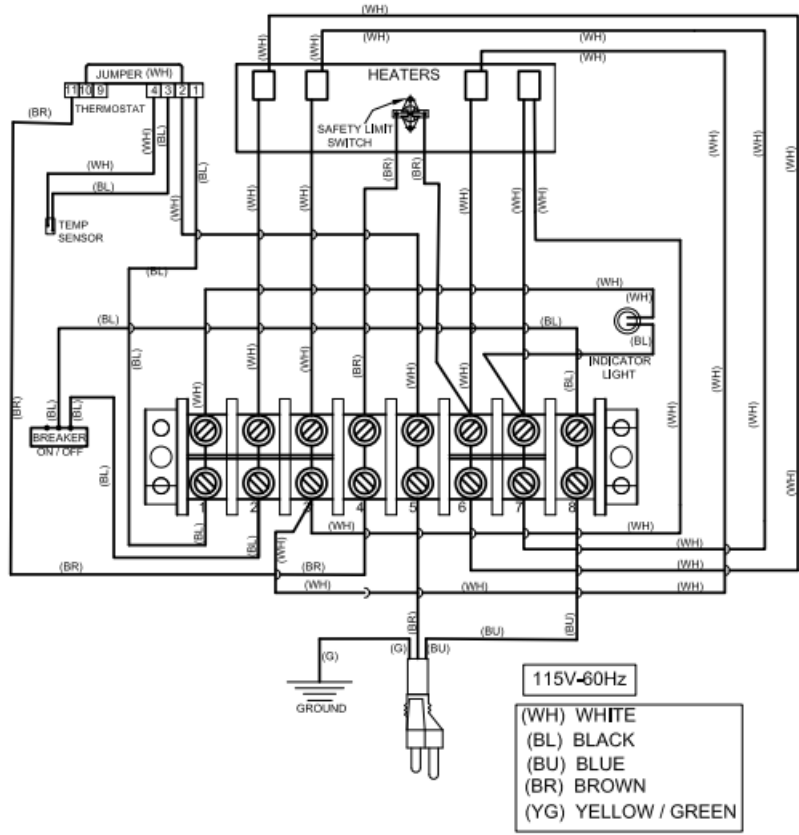
TROUBLESHOOTING

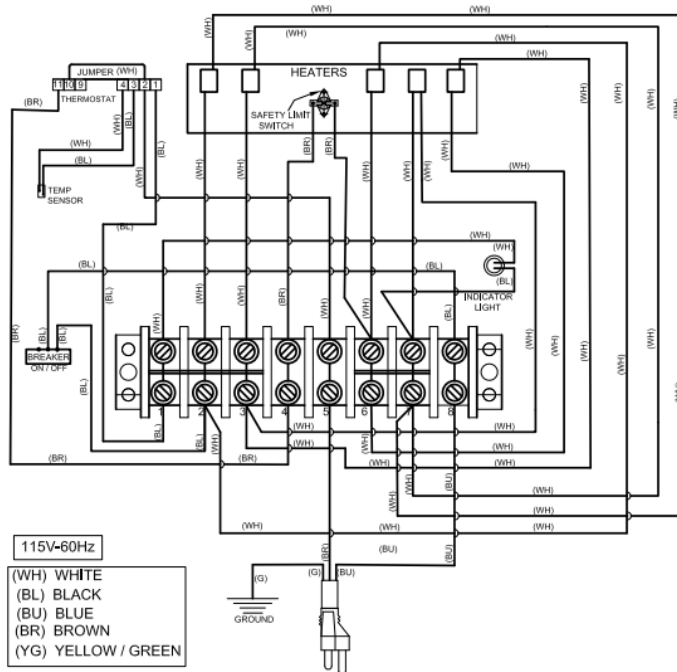
You can easily solve many common problems with your appliance, saving you the cost of a possible service call. Try the suggestions below to see if you can solve the problem before calling a service technician.

TROUBLESHOOTING GUIDE

Problem	Possible Cause
Appliance does not get warm.	Not plugged in; power is off. The circuit breaker has tripped or fuse has blown. Door is not closed.
Appliance turns on but does not reach the set temperature.	Allow up to several hours of operating time for the unit to come to temperature.
The door will not close properly.	The appliance is not level. The door was reversed and not properly re-installed. The gasket is dirty. The shelves are out of position.

WIRING DIAGRAM





LIMITED

WARRANTY

ONE YEAR LIMITED WARRANTY

Within the 48 contiguous United States, for one year from the date of purchase, when this appliance is operated and maintained according to instructions attached to or furnished with the product, warrantor will pay for factory-specified parts and repair labor to correct defects in materials or workmanship. Service must be provided by a designated service company. Outside the 48 states, all parts are warranted for one year from manufacturing defects. Plastic parts, shelves and cabinets are warranted to be manufactured to commercially acceptable standards, and are not covered from damage during handling or breakage.

ITEMS WARRANTOR WILL NOT PAY FOR:

1. Service calls to correct the installation of your appliance, to instruct you how to use your appliance, to replace or repair fuses or to correct wiring or plumbing.
2. Service calls to repair or replace appliance light bulbs or broken shelves. Consumable parts (such as filters) are excluded from warranty coverage.
3. Damage resulting from accident, alteration, misuse, abuse, fire, flood, acts of God, improper installation, installation not in accordance with electrical or plumbing codes, or use of products not approved by warrantor.
4. Replacement parts or repair labor costs for units operated outside the United States.
5. Repairs to parts or systems resulting from unauthorized modifications made to the appliance.
6. Expenses for travel and transportation for product service in remote locations.
7. The removal and reinstallation of your appliance if it is installed in an inaccessible location or is not installed in accordance with published installation instructions.

DISCLAIMER OF IMPLIED WARRANTIES – LIMITATION OF REMEDIES

CUSTOMER'S SOLE AND EXCLUSIVE REMEDY UNDER THIS LIMITED WARRANTY SHALL BE PRODUCT REPAIRS PROVIDED HEREIN. IMPLIED WARRANTIES, INCLUDING WARRANTIES OF MERCHANTABILITY OR FITNESS FOR A PARTICULAR PURPOSE, ARE LIMITED TO ONE YEAR. WARRANTOR SHALL NOT BE LIABLE FOR INCIDENTAL OR CONSEQUENTIAL DAMAGES. SOME STATES DO NOT ALLOW THE EXCLUSION OR LIMITATION OF INCIDENTAL OR CONSEQUENTIAL DAMAGES, OR LIMITATIONS ON THE DURATION OF

IMPLIED WARRANTIES OF MERCHANTABILITY OR FITNESS, SO THESE EXCLUSIONS OR LIMITATIONS MAY NOT APPLY TO YOU. THIS WARRANTY GIVES YOU SPECIFIC LEGAL RIGHTS AND YOU MAY ALSO HAVE OTHER RIGHTS, WHICH VARY FROM STATE TO STATE.



Felix Storch, Inc.
770 Garrison Avenue
Bronx, NY 10474



Revised May 2020

TABLE DES MATIERES

Mesures de sécurité importantes	12
Installation	13-15
<i>Avant d'utiliser l'armoire chauffante</i>	13
<i>Installation de votre appareil</i>	13
<i>Inversion de la porte battante</i>	14
<i>Installation du poignée de la porte</i>	15
Fonctionnement	15-16
<i>Chargement de l'armoire chauffante</i>	15
<i>Mise sous tension de l'armoire chauffante</i>	15
<i>Mise hors tension de l'armoire chauffante</i>	15
<i>Réduire la température du point de consigne</i>	16
Nettoyage et entretien	16
<i>Nettoyage</i>	16
<i>Temps d'arrêt prolongé</i>	16
<i>Déplacement de votre appareil</i>	16
<i>Conseils pour économiser l'énergie</i>	16
<i>Entretien préventif</i>	16

Dépannage	17
Schéma de câblage	18
Remarques	19
Garantie limitée	20

MESURES DE SECURITE IMPORTANTES

Votre sécurité et celle des autres est très importante pour nous. Nous avons fourni plusieurs messages de sécurité importants dans ce manuel. Lisez tous les messages de sécurité et respectez-les toujours lorsque vous utilisez cet appareil. Des blessures graves ou même la mort peuvent survenir si vous ne suivez pas ces instructions.



ATTENTION

Pour réduire les risques d'incendies, de choc électrique ou de blessures lors de l'utilisation de cet appareil, suivez ces précautions fondamentales:

Utilisez deux ou plus de personnes pour déplacer et installer cet appareil.

Branchez sur une prise de terre à 3 broches.

Ne pas retirez la broche à la terre, ni utilisez un adaptateur 3/2.

Pour une installation autonome, laissez au moins 5 pouces (127 mm) d'espace entre l'arrière, le dessus et les côtés de l'unité. Pour une installation encastrée ou intégrée (unités avec « UC » dans le numéro de modèle), laissez un espace d'air d'au moins 1 pouce (25,4 mm) de chaque côté et sur le dessus et de 2 pouces (51 mm) à l'arrière.

Faites attention à ne pas le brancher dans les prises contrôlées par des interrupteurs muraux. Coupez l'alimentation avant l'entretien.

Après le service, remplacez toutes les pièces et panneaux avant le fonctionnement.

N'entrez pas et n'utilisez pas d'essence ou d'autres objets inflammables à proximité de cet appareil ou de tout autre appareil, car les émanations peuvent créer un risque d'incendie ou d'explosion.

Utilisez des nettoyeurs non inflammables.

Ne débranchez jamais votre appareil en tirant sur le cordon d'alimentation. Toujours saisissez fermement la fiche et la sortir de la prise.

Veillez à ne pas écraser ou endommager le cordon lorsque vous déplacez l'appareil.

Ne pas pincez, nouez ou pliez le cordon d'alimentation de toute autre manière.

Si le cordon d'alimentation est endommagé, il doit être remplacé par le fabricant, son agent de service ou des personnes qualifiées de la même façon afin d'éviter un danger.

Débranchez l'appareil avant d'effectuer les réparations ou le nettoyage.

Pour éviter les blessures ou les dommages, les réparations ou les réglages ne doivent être effectués que par un technicien qualifié. En particulier, ne pas essayer d'enlever le panneau de commande car cela pourrait entraîner un choc électrique.

Cet appareil n'est pas destiné à une température supérieure à 140°F(60°C). Ne pas changer la température de consigne dans le but d'augmenter la vitesse de chauffage. Attendez plusieurs heures pour que le contenu de l'armoire atteigne la température désirée.

Soyez conscient du fait que la température du contenu de l'armoire chauffante peut être supérieure à la température affichée. Toujours vérifier la température de couvertures chauffantes et les serviettes avant d'utiliser.

DANGER: RISQUE D'ENFANT PRIS AU PIÈGE!

Le piégeage et la suffocation des enfants ne sont pas des problèmes du passé. Les électroménagers jetés ou abandonnés sont toujours dangereux, même s'ils "resteront dans le garage quelques jours".

Avant de jeter votre ancienne machine à glaçons ou tout autre appareil:

- Retirez la porte.
- Laissez les étagères en place afin que les enfants ne puissent pas facilement grimper à l'intérieur.

– **CONSERVEZ CES INSTRUCTIONS** –

INSTALLATION

Avant d'utiliser l'armoire chauffante

Retirez l'emballage extérieur et intérieur.

Assurez-vous que les étagères sont installées et que les bandes de papier collant qui les maintiennent en place ont été enlevées.

Nivelez l'appareil avec les pieds réglables fournis.

Le disjoncteur sur le panneau de commande doit être en position **OFF**.

Nettoyez les surfaces intérieures avec de l'eau tiède à l'aide d'un chiffon doux. Toute odeur de plastique que vous remarquerez lorsque vous ouvrez les portes vont se dissiper une fois l'appareil est en fonctionnement.

Installation de votre appareil

Pour une installation autonome, laissez au moins 5 pouces (127 mm) d'espace entre l'arrière, le dessus et les côtés de l'unité. Pour une installation encastrée ou intégrée (unités avec « UC » dans le numéro de modèle), laissez un espace d'air d'au moins 1 pouce (25,4 mm) de chaque côté et sur le dessus et de 2 pouces (51 mm) à l'arrière.

Placez votre appareil sur un sol qui est assez fort pour le soutenir quand il est complètement chargé. Assurez-vous que l'appareil est nivelé. (Nivelez votre armoire chauffante en réglant les pieds à l'avant.)

Laissez au moins 2 pouces d'espace entre l'arrière de l'appareil et le mur à l'arrière, ce qui permet une circulation d'air adéquate.

Branchez l'appareil dans une source d'électricité de 120V AC~ 60Hz. Le fusible ou le disjoncteur doit être nominale de 15 ampères.

L'appareil est conçu pour être utilisé dans un environnement stable, où la température ambiante idéale est 72°F ou moins. Les températures ambiantes extrêmement chaudes ou froides peuvent entraîner l'appareil à mal fonctionner.

Évitez de placer l'armoire chauffante dans les zones humides.

Cet appareil est équipé d'une fiche à trois broches et est mise à la terre pour éliminer les risques électriques. Afin de le rendre plus efficace, l'appareil doit être branché dans une prise mise à la terre.

Un cordon d'alimentation court (ou un court cordon d'alimentation détachable) est fourni pour réduire les risques d'enchevêtrement ou de trébuchement sur un cordon plus long.

Les rallonges (ou un cordon d'alimentation plus long et détachable) sont disponibles et peuvent être utilisées avec prudence.

Si une rallonge (ou un cordon d'alimentation long et détachable) est utilisée:

- La puissance électrique indiquée sur le cordon d'alimentation détachable ou sur la rallonge doit être au moins aussi élevée que la puissance électrique de l'appareil;
- Si l'appareil est de type mis à la terre, la rallonge devrait aussi être d'un type mis à la terre à 3 fils; et

Le cordon doit être placé de sorte qu'il ne pende pas du comptoir ou de la table où l'on peut trébucher, accrocher, ou peut être accidentellement tiré (surtout par les enfants).

Inversion de la porte battante (Uniquement applicable à la série PTH65G)

La porte de l'armoire chauffante peut être articulée de chaque côté de telle sorte que l'ouverture de la porte peut être adaptée à la situation de l'installation. Afin d'inverser la position des gonds de la porte, référez-vous aux schémas de démontage ci-dessous et suivez cette procédure.

1. Posez l'armoire chauffante sur sa face arrière, en prenant soin de la placer sur une couverture ou une autre surface douce.
2. Retirez les vis qui maintiennent la charnière inférieure et retirez la charnière.
3. Faites glisser la porte vers le bas, en prenant soin de retirer la goupille de porte qui fixe la porte à la charnière supérieure.
4. Mettez la porte de côté.
5. Retirez les vis fixant la charnière supérieure à l'armoire chauffante.
6. Retirez les caches des charnières du côté opposé de l'armoire.
7. Déplacez la charnière supérieure à l'opposé de l'armoire et serrez avec des vis.
8. Remplacez la goupille de porte sur le côté opposé de la porte et faites glisser la goupille de porte dans la charnière supérieure.
9. Appuyez la porte contre l'armoire chauffante et fixez la charnière inférieure à l'armoire et à la porte.
10. Si la porte n'est pas droitement accrochée, desserrez la charnière supérieure, ajustez la porte jusqu'à ce qu'elle soit droite et resserrez les vis.

Installation du poignée de la porte

Cet appareil peut comprendre une poignée en acier inoxydable qui n'est pas nécessaire au fonctionnement de l'appareil. Pour installer la poignée, suivez les instructions ci-dessous:

1. Détachez le joint de la porte dans la zone où la poignée doit être installée. Le joint est facilement déplacé à la main; aucun outil n'est nécessaire.
2. À l'aide d'un tournevis, retirez les deux bouchons décoratifs préinstallés à l'arrière de la porte. Mettez de côté les bouchons décoratifs pour une utilisation future.
3. Insérez les deux vis de poignée avec les rondelles de blocage et les rondelles plates à travers le côté joint de l'encadrement de la porte jusqu'à ce que les vis traversent l'encadrement de la porte. Suivez l'ordre indiqué sur la figure.
4. Alignez la poignée avec les vis installées à l'étape 3 ci-dessus. Serrez les vis à l'aide d'un tournevis cruciforme jusqu'à ce que la poignée est à la fois dans l'alignement et solidement fixée contre le cadre de la porte. NE PAS trop serrez car cela pourrait causer des dommages à la poignée.
5. Remplacez le joint de la porte dans sa position initiale.

FONCTIONNEMENT

REMARQUE: Cet appareil est conçu pour chauffer les serviettes et couvertures à une température ne dépassant pas 140°F. Le processus de chauffage du contenu à partir d'une température ambiante de 72°F jusqu'à 140°F peut prendre de 25 minutes à 3 heures de temps, en fonction de la quantité du contenu. Lorsque vous chargez les articles dans l'armoire pour le chauffage, assurez-vous qu'il y'a un minimum d'un pouce d'espace entre les objets, les murs, et le ventilateur pour permettre une bonne circulation de l'air.

Chargement de l'armoire chauffante

Placez les articles à réchauffement dans l'armoire et fermez la porte. Les articles peuvent être empilés, mais assurez-vous qu'un espace suffisant soit laissé pour la circulation de l'air, comme indiqué ci-dessus. Assurez-vous aussi que la porte est bien fermée.

ATTENTION : NE PAS stocker de couvertures sur la tablette inférieure de l'appareil. Les couvertures stockées ici bloqueront le module de chauffage et affecteront les performances de l'unité.

Mise sous tension de l'armoire chauffante

Mettez le disjoncteur du panneau de commande à la position RESET. Ce qui suit se produit:

Le régulateur de température s'allume et affiche la température de l'armoire chauffante.

Le moteur du ventilateur démarre.

L'élément chauffant se met en marche comme indiqué par le voyant rouge sur le contrôleur. Il se met en marche et s'éteint avec l'élément chauffant.

La température commence à monter.

La température augmentera progressivement au réglage d'usine de 120°F à partir d'une température ambiante de 72°C.

REMARQUE: L'affichage LED sur le panneau de commande affiche normalement la température de l'armoire.

Lorsque l'armoire atteint 120°F, l'élément chauffant s'éteint (la lumière rouge s'éteint), puis se rallume lorsque la température de l'armoire diminue 2-3°F. Cette condition se poursuivra jusqu'à ce que l'appareil est mis hors tension intentionnellement ou:

- Quelque facteur interne ou externe entraîne le courant à dépasser 15 ampères, auquel cas le disjoncteur s'éteint.
- Lorsqu'il fonctionne correctement, l'armoire chauffante maintiendra les températures à portée de deux degrés de son point de consigne (réglée en usine à 120°F).

Mise hors tension de l'armoire chauffante

Pour éteindre l'appareil, placez le disjoncteur du panneau de commande sur OFF.

Réduire la température du point de consigne

La température de fonctionnement est à réglage d'usine de 120°F, mais vous pouvez réduire ce "Set Point" (point de consigne) en suivant cette procédure:

1. Appuyez et relâchez le bouton SET. La température d'affichage clignote.
2. Appuyez sur la flèche HAUT ou BAS du panneau de commande pour atteindre la température souhaitée (point de consigne).

REMARQUE: La plage de température de cet appareil réglée en usine est de 90°F à 140°F.

NETTOYAGE ET ENTRETIEN

Nettoyage

Débranchez l'appareil et retirez tous les contenus. Lavez le revêtement intérieur avec une solution d'eau tiède et de bicarbonate de soude (deux cuillerées à soupe par litre). Ensuite, rincez et essuyez. Ne pas utiliser de savons, de détergents, de poudre à récurer, d'aérosols de nettoyage ou autres sur le revêtement, car ils peuvent provoquer des odeurs dans l'armoire. Lavez les étagères dans une solution de détergent doux et séchez avec un chiffon doux.

Essuyez la surface extérieure avec un chiffon doux imbibé d'eau savonneuse, puis séchez avec un chiffon doux. Un dispositif aérosol de nettoyage pour les appareils peut être utilisé pour l'extérieur seulement.

Utilisez uniquement de l'eau tiède savonneuse pour nettoyer le joint de la porte.

Ne jamais utiliser d'acides, de diluants chimiques, de l'essence, du benzène ou similaires pour nettoyer une partie quelconque de l'appareil. L'eau bouillante et le benzène peut se déformer ou d'endommager les pièces en plastique.

Temps d'arrêt prolongé

Si l'appareil ne sera pas utilisé pendant plusieurs mois, videz-le et débranchez le cordon d'alimentation. Nettoyez et séchez soigneusement l'intérieur. Pour éviter les odeurs et les moisissures, laissez la porte légèrement ouverte, avec blocage si nécessaire pour la maintenir ouverte.

Déplacement de votre appareil

Enlevez ou scotchez solidement toutes les pièces amovibles à l'intérieur de l'armoire chauffante. Scotchez la porte fermée.

Assurez-vous que l'appareil est maintenu en position verticale pendant le transport. Protégez également l'extérieur de l'appareil avec une couverture ou un objet similaire.

Conseils pour économiser l'énergie

Pour assurer une circulation d'air adéquate, laissez un espace autour des murs et le ventilateur lorsque vous chargez l'armoire.

Ajoutez ou enlevez autant d'articles que nécessaire à la fois, et fermez la porte dès que possible.

Entretien préventif

Deux fois par an, placez un thermomètre à proximité de l'entrée du ventilateur de l'armoire afin de vérifier l'exactitude du réglage de température. La température réelle doit être de plus ou moins 3 degrés Fahrenheit de la température de consigne.

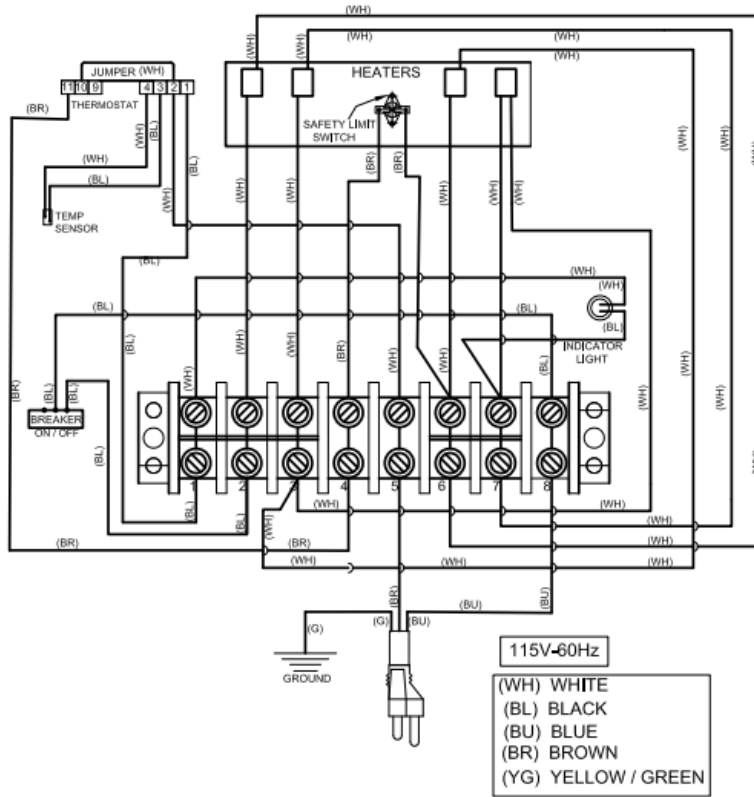
DÉPANNAGE

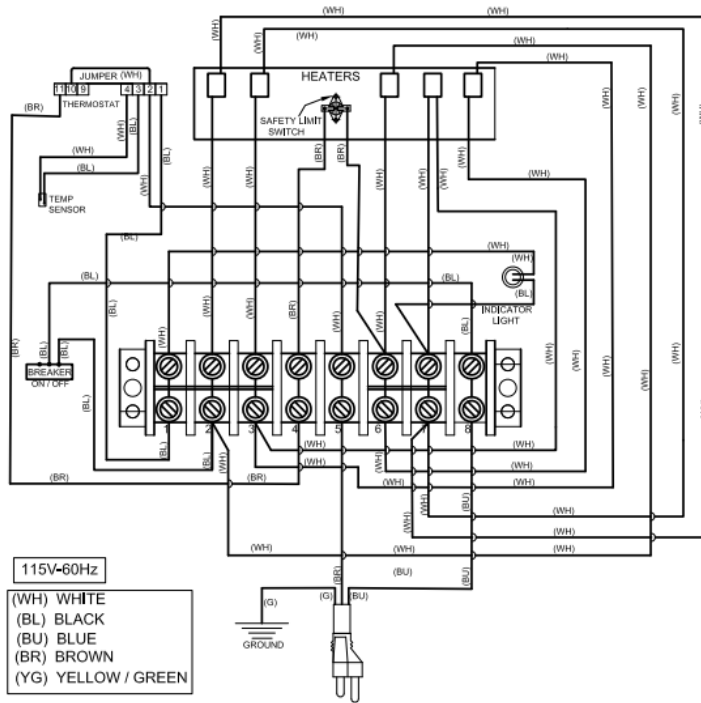
Vous pouvez facilement résoudre nombreux problèmes communs avec votre appareil, vous épargnant le coût d'un appel de service possible. Essayez les suggestions ci-dessous pour voir si vous pouvez résoudre le problème avant d'appeler un technicien de service.

GUIDE DE DÉPANNAGE

Problèmes	Causes possibles
L'appareil ne chauffe pas.	Pas branché; l'alimentation est coupée. Le disjoncteur s'est déclenché ou un fusible a sauté. La porte n'est pas fermée.
Appareil est allumé, mais n'atteint pas la température de consigne.	Laissez quelques heures de temps de fonctionnement pour que l'unité vienne à la température.
La porte ne se ferme pas correctement.	L'appareil n'est pas de niveau. La porte a été renversée et pas correctement réinstallée. Le joint est sale. Les étagères sont hors de position.

SCHEMA DE CABLAGE





REMARQUES

GARANTIE LIMITÉE

UN AN DE GARANTIE LIMITEE

Dans les 48 États américains contigus, pendant un an à partir de la date d'achat, lorsque cet appareil est utilisé et entretenu conformément aux instructions jointes à, ou fournies avec le produit. Le garant paiera pour les pièces spécifiées en usine et pour la main-d'œuvre pour corriger les vices de matériaux ou de fabrication. Le service doit être fourni par une compagnie de service désignée. En dehors des 48 États, toutes les pièces sont garanties pendant un an pour les défauts de fabrication. Les pièces en plastique, étagères et armoires sont garanties être fabriqués conformément aux normes acceptées dans le commerce et ne sont pas couvertes contre les dommages ou le bris pendant la manipulation.


LE GARANT NE SERA PAS TENU DE PAYER POUR CES POINTS :

1. Les appels de service pour rectifier l'installation de votre appareil, pour vous indiquer comment utiliser votre appareil, remplacer ou réparer des fusibles ou rectifier le câblage ou la plomberie.
2. Les appels de service pour réparer ou remplacer des ampoules ou des étagères cassées. Les pièces à usure (telles que des filtres) sont exclues de la couverture de la garantie.
3. Les dommages résultant d'un accident, modification, usage impropre ou abusif, incendie, inondation, actes de Dieu, mauvaise installation, une installation non conforme aux codes d'électricité ou de plomberie, ou l'utilisation de produits non approuvés par le garant.
4. Les pièces de rechange ou les frais de réparation pour les appareils utilisés hors des États-Unis.
5. Les réparations aux pièces ou systèmes résultant de modifications non autorisées apportées à l'appareil.
6. Les frais de déplacement et de transport pour le service produit dans des endroits éloignés.
7. Le retrait et la réinstallation de votre appareil s'il est installé dans un endroit inaccessible ou n'est pas installé conformément aux instructions d'installation.

EXCLUSION DE GARANTIES IMPLICITES; LIMITATION DES RECOURS

LE SEUL ET UNIQUE RECOURS DU CLIENT EN VERTU DE CETTE GARANTIE LIMITÉE EST LA RÉPARATION DU PRODUIT TEL QUE PRÉCÉDEMMENT DÉCRIT. GARANTIE IMPLICITE, Y COMPRIS LES GARANTIES DE QUALITÉ MARCHANDE OU D'ADÉQUATION À UN USAGE PARTICULIER, SONT LIMITÉES À UN AN. LE GARANT NE SERA PAS RESPONSABLE DES DOMMAGES DIRECTS OU INDIRECTS. CERTAINS ÉTATS NE

PERMETTENT PAS L'EXCLUSION OU LA LIMITATION DES DOMMAGES DIRECTS OU INDIRECTS, OU LA LIMITATION DE LA DURÉE DES GARANTIES DE QUALITÉ MARCHANDE OU D'ADAPTATION, DE MANIÈRE QUE CES EXCLUSIONS OU LIMITATIONS PEUVENT NE PAS S'APPLIQUER À VOUS. CETTE GARANTIE VOUS DONNE DES DROITS SPÉCIFIQUES ET VOUS POUVEZ AUSSI AVOIR D'AUTRES DROITS POUVANT VARIER D'UN ÉTAT À L'AUTRE.

	<p>AVERTISSEMENT : Ce produit peut vous exposer à des produits chimiques, notamment le nickel (métallique), reconnu par l'État de Californie pour provoquer le cancer.</p> <p>Pour plus d'informations, visitez www.P65Warnings.ca.gov</p> <p>Remarque: le nickel est un composant de tous les composants en acier inoxydable et</p>
---	--

Felix Storch, Inc.
770 Garrison Avenue
Bronx, NY 10474

