

⚠ WARNING: Important! Read and understand these instructions before installing or using the Positioning Belt. If the Positioning Belt is not properly installed, personal injury and damage to the Positioning Belt could result.

⚠ WARNING: If components are damaged or missing, contact your GF authorized distributor immediately. DO NOT use substitute parts. Use only Everest & Jennings replacement parts. Non-Everest & Jennings replacement parts could cause personal injury and damage to the Positioning Belt.

⚠ WARNING: Cancer and Reproductive Harm - www.p65warnings.ca.gov.

⚠ WARNING: GF Health Products, Inc. assumes no responsibility for any damage or injury caused by improper assembly, installation, or use of this product.

TOOLS REQUIRED: 5/16" (8mm) wrench (not included)

INTENDED USE

This product is intended as a Positioning Belt **only**.

⚠ WARNING: This product is not intended for use as a transport safety device.

INSTALLATION (SEE STEPS AT RIGHT)

1. Remove seat pad and anti-tippers. Tip chair back until it is resting on its rear wheels and backrest handles.
2. Insert carriage bolt (*part included*) through square holes located on the top of the seat pan and through the hole at the end of positioning belt.
3. Use a 5/16" (8mm) wrench (*not included*) to securely tighten the nut (*part included*) below the seat pan.
4. Tip chair back up to its front casters and reinstall anti-tippers and seat pad.

Length Adjustment

Adjust belt length by loosening or tightening the unsecured belt end on each side of the buckle; both sides of the belt should be of equal length. The fit must be snug, but not so tight that comfort or breathing is compromised. You should be able to slide your open hand between the belt and the wheelchair user.

⚠ WARNING: Ensure Positioning belt is properly adjusted, and Positioning Belt and mounting bolts are securely installed before use (3).

OPERATION

To lock the belt, press the push button and slide the latch into the buckle until it clicks into place. To unlock the belt, press the push button and slide the latch out from the buckle.

MAINTENANCE AND CLEANING

⚠ WARNING: If signs of wear appear, replace the Positioning Belt.

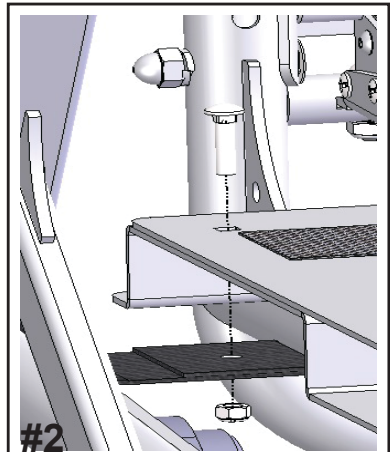
⚠ WARNING: Check the Positioning Belt mounting bolts monthly and tighten as needed.

▲ NOTICE: Do not use corrosive cleansers to clean this product.

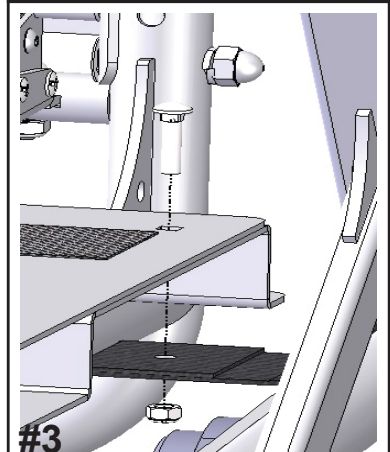
Clean the Positioning Belt as needed with a mild soap and water solution.



#1



#2



#3



#4

WARRANTY

SCOPE OF WARRANTY

GF Health Products, Inc. (GF) warrants to the original purchaser only that it will replace or repair components, at GF's sole discretion, that are defective in material or workmanship under normal use and service. All warranties are conditioned upon the proper use of the products strictly in accordance with good commercial practice and applicable GF instructions and manuals, including proper use and maintenance. To the extent that a component is warranted by a third party, GF conveys all of its rights under that warranty to the original purchaser, to the extent permitted. This limited warranty shall only apply to defects that are reported to GF's customer service team within the applicable warranty period and which, upon examination by GF or its authorized representative, prove to be a warranty item. This limited warranty is not transferable. Within the guidelines set forth in this document, this product is warranted for three (3) months. The applicable warranty period shall commence from date of shipment to the original customer, unless there is an expiration date on the component in which case the warranty shall expire on the earlier of warranty period or the expiration date.

OBTAINING WARRANTY SERVICE

This limited warranty shall only apply to defects that are reported to the Distributor from whom the Customer purchased the product within the applicable warranty period. If there is not a Distributor, you must contact GF directly by calling 1.770.368.4700, sending a fax request to 1.770.368.2386, or by emailing a request to cs@grahamfield.com. Specific directions will be provided by the Customer Service Representative. Failure to abide by the specific directions will result in denial of the warranty claim.

EXCLUSIONS

The warranty does not cover and GF shall not be liable for the following:

- 1) Defects, damage, or other conditions caused, in whole or in part, by misuse, abuse, negligence, alteration, accident, freight damage, tampering, or failure to seek and obtain repair or replacement in a timely manner;
- 2) Products that are not installed, used, or properly cleaned and maintained as required in the official manual for the applicable product;
- 3) Products considered to be of a non-durable nature including, but not limited to: casters, filters, fuses, gaskets, lubricants, and charts;
- 4) Accessories or parts not provided by GF;
- 5) Charges by anyone for adjustments, repairs, replacement parts, installation, or other work performed upon or in connection with such products which are not expressly authorized in writing, in advance, by GF;
- 6) Any labor or shipping charges incurred in the replacement part installation or repair;
- 7) Costs and expenses of regular maintenance and cleaning; and
- 8) Representations and warranties made by any person or entity other than GF.

ENTIRE WARRANTY, EXCLUSIVE REMEDY, AND CONSEQUENTIAL DAMAGES DISCLAIMER

THIS WARRANTY IS GF'S ONLY WARRANTY AND IS IN LIEU OF ALL OTHER WARRANTIES, EXPRESS OR IMPLIED. GF MAKES NO IMPLIED WARRANTIES OF ANY KIND INCLUDING ANY IMPLIED WARRANTIES OF MERCHANTABILITY OR FITNESS FOR A PARTICULAR PURPOSE. IF ANY MODEL OR SAMPLE WAS SHOWN TO THE CUSTOMER, SUCH MODEL OR SAMPLE WAS USED MERELY TO ILLUSTRATE THE GENERAL TYPE AND QUALITY OF THE PRODUCT AND NOT TO REPRESENT THAT THE PRODUCT WOULD NECESSARILY CONFORM TO THE MODEL OR SAMPLE IN ALL RESPECTS. THIS WARRANTY IS LIMITED TO THE REPAIR OR REPLACEMENT OF THE DEFECTIVE PARTS. GF SHALL NOT BE LIABLE FOR AND HEREBY DISCLAIMS ANY DIRECT, SPECIAL, INDIRECT, INCIDENTAL, EXEMPLARY, OR CONSEQUENTIAL DAMAGES, INCLUDING, BUT NOT LIMITED TO: DAMAGES FOR LOSS OF PROFITS OR INCOME, LOSS OF USE, DOWNTIME, COVER, OR EMPLOYEE OR INDEPENDENT CONTRACTOR WAGES, PAYMENTS AND BENEFITS.

The warranties contained herein contain all the representations and warranties with respect to the subject matter of this document and supersede all prior negotiations, agreements, and understandings with respect thereto.

The recipient of this document hereby acknowledges and represents that it has not relied on any representation, assertion, guarantee, warranty, collateral contract or other assurance, except those set out in this document.

For additional information on this product or this warranty, please contact a GF Customer Service Representative.

NOTES:

- 1) Additional terms and conditions may apply.
- 2) Freight claims must be notated on the appropriate shipping documents and must be made with immediacy. International, federal and state regulations govern specific requirements for freight claims. Failure to abide by those regulations may result in a denial of the freight claim. GF will assist you in filing the freight claim.
- 3) Claims for any short shipment must be made within three (3) days of the invoice date.

Everest & Jennings[®]
by graham-field

graham
field