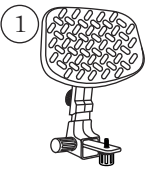

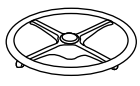

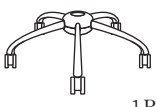


Info: The most current version of these instructions can be found online at www.grahamfield.com.

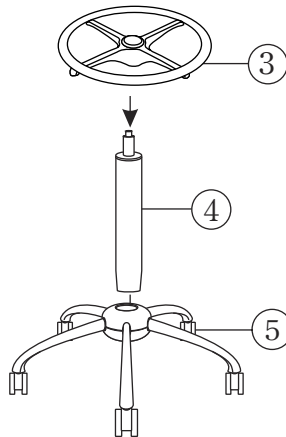
- ⚠ **WARNING: Important! Read and understand these instructions before assembling or using the Lab Chair. If the Lab Chair is not properly assembled, personal injury and damage to the Lab Chair could result.**
- ⚠ **WARNING: This product has a maximum weight capacity of 300 lb, EVENLY DISTRIBUTED.**
- ⚠ **WARNING: If components are damaged or missing, contact your GF distributor immediately. DO NOT use substitute parts. Use only Grafco replacement parts. Non-Grafco replacement parts could cause personal injury and damage to the Lab Chair.**
- ⚠ **WARNING: GF Health Products, Inc. assumes no responsibility for any damage or injury caused by improper assembly, installation or use of this product.**

ASSEMBLY

1. Remove components carefully from the carton. See component list below.

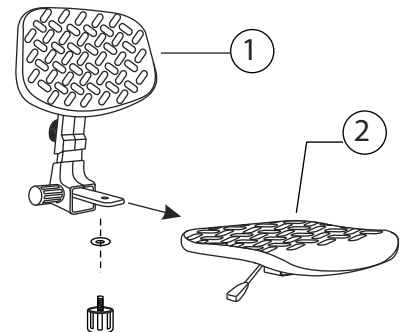
1  1PC	2  1PC	3  1PC	4  1PC	5  1PC
Item	Description			
1	Backrest			
2	Seat			
3	Foot ring			
4	Column (gas cylinder)			
5	Base with Casters			

2. Install column on base.

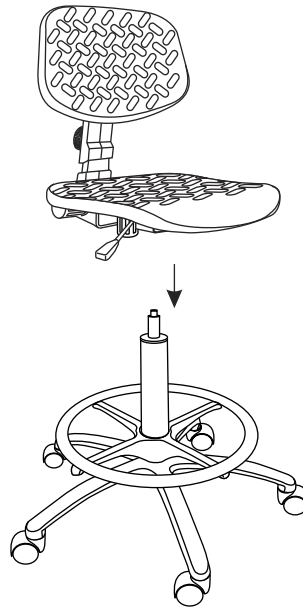


3. Install foot ring on column.

4. Assemble seat and backrest.

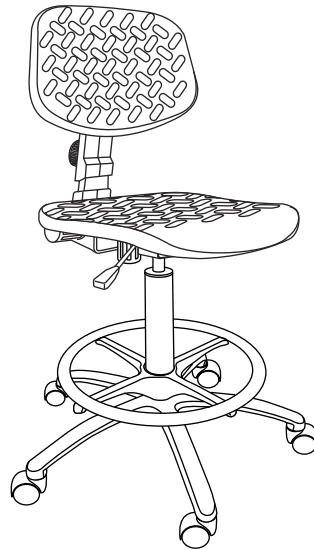


5. Install seat and backrest on column.



CLEANING

To clean, use a clean, soft cloth dampened with a mild soap and water solution, rinse with a clean, soft cloth dampened with clean water.



GRAHAM-FIELD
www.grahamfield.com