



2" RAISED TOILET SEAT

Home / Categories / Bathroom Aids / 2" Raised Toilet Seat



2"



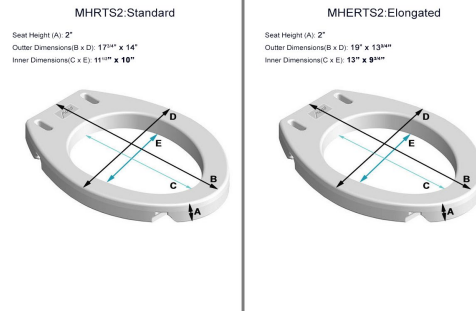
2" Raised Toilet Seat: MHRTS2: Standard MHERTS2: Elongated

- Allows the original seat to be used while adding 2" to the height
- Bolts directly to the toilet for safety and stability
- Easy to clean
- 300 lbs weight capacity
- No tools required for Installation



Specification

Seat Type	MHRTS2: Standard
Seat Height	2"
Outter Dimensions	17 ³ / ₄ " x 14"
Inner Dimensions	11 ¹ / ₂ " x 10"
****	No Tools Required
Weight Capacity	300 lbs
Warranty	Lifetime Limited Warranty



Seat Type	MHERTS2: Elongated
Seat Height	2"
Outter Dimensions	19" x 13 ³ / ₄ "
Inner Dimensions	13" x 9 ³ / ₄ "
****	No Tools Required
Weight Capacity	300 lbs
Warranty	Lifetime Limited Warranty